

4

3

2

1

THIS DRAWING IS UNPUBLISHED.

RELEASED FOR PUBLICATION

© COPYRIGHT - BY TYCO ELECTRONICS CORPORATION. ALL RIGHTS RESERVED.

LOC	DIST	REVISIONS					
H	-	P	LTR	DESCRIPTION	DATE	DWN	APVD
			12	CHANGED HOUSING COLOR	06JUL2016	KR	MVE
			13	UL, KEMA LOGO PENDING	20JUL2016	MVE	
			14	CHANGED LASER MARKING	09AUG2016	KR	MvE
			15	CHANGED IP CLASS	06SEP2016	KR	MvE

DIMENSIONS BEFORE APPLICATION

NOTES:

- 2213600-1 AS SHOWN.
- MATERIALS:

CONTACT: PHOSPHOR BRONZE, TIN PLATED  
 HOUSING: PC NOT GLASS FILLED  
 BUTTONS: PC NOT GLASS FILLED

3 LASER MARKING:  
 • (KEMA) PENDING  
 • (UL) PENDING  
 • TE LOGO  
 • TE PART NUMBER  
 • DATE CODE

4 LASER MARKING: IP20

5 LASER MARKING: IP x5/x7

**PRELIMINARY PART  
 NOT RELEASED FOR PRODUCTION**

**THIS PRODUCT HAS NOT COMPLETED  
 VALIDATION TESTING**

UNSEALED	4	A=4.0 B=3.5	14/16 TO 16/18	BLUE AND RED	CLEAR	2213600-6
UNSEALED	4	A=4.5 B=3.5	12/14 TO 16/18	YELLOW AND RED	CLEAR	2213600-5
UNSEALED	4	A=4.5 B=4.0	12/14 TO 14/16	YELLOW AND BLUE	CLEAR	2213600-4
SEALED	5	A=4.0 B=3.5	14/16 TO 16/18	BLUE AND RED	CLEAR	2213600-3
SEALED	5	A=4.5 B=3.5	12/14 TO 16/18	YELLOW AND RED	CLEAR	2213600-2
SEALED	5	A=4.5 B=4.0	12/14 TO 14/16	YELLOW AND BLUE	CLEAR	2213600-1
SEALING		WIRE ENTRY	WIRE SIZE	BUTTON COLORS	HOUSING COLOR	PART NUMBER

THIS DRAWING IS A CONTROLLED DOCUMENT.  
 DIMENSIONING AND TOLERANCING PER ASME Y14.5M-2009.

DIMENSIONS:	TOLERANCES UNLESS OTHERWISE SPECIFIED:
mm	
	0 PLC ±-
	1 PLC ±0,2
	2 PLC ±0,2
	3 PLC ±-
	4 PLC ±-
	ANGLES ±-
MATERIAL	FINISH

DWN 06 NOV '15  
 M.V.ESSEN  
 CHK -  
 C.V.STEENDEREN  
 APVD -  
 O.I.FIJNSE  
 PRODUCT SPEC  
 108-133061  
 APPLICATION SPEC  
 114-133061  
 WEIGHT -  
 CUSTOMER DRAWING

**PRELIMINARY** TE Connectivity  
 COOL SPLICE  
 ONE POSITION LARGE WIRE GAUGE

SIZE	CAGE CODE	DRAWING NO	RESTRICTED TO
A3	00779	©-2213600	-

SCALE 2:1 SHEET 1 OF 3 REV 15

1470-19 (3/11)

4

3

2

1

THIS DRAWING IS UNPUBLISHED.

RELEASED FOR PUBLICATION

© COPYRIGHT -

BY TYCO ELECTRONICS CORPORATION.

ALL RIGHTS RESERVED.

LOC DIST

REVISIONS

P	LTR	DESCRIPTION	DATE	DWN	APVD
-	-	SEE SHEET 1	-	-	-

DIMENSIONS AFTER APPLICATION

NOTE:  
1. 2213600-1 AS SHOWN.

**PRELIMINARY PART**  
**NOT RELEASED FOR PRODUCTION**

**THIS PRODUCT HAS NOT COMPLETED**  
**VALIDATION TESTING**

THIS DRAWING IS A CONTROLLED DOCUMENT.

DWN 06 NOV '15  
M.V.ESSSENCHK -  
C.V.STEENDERENAPVD -  
O.IEIJNSE

PRODUCT SPEC

108-133061

APPLICATION SPEC

114-133061

WEIGHT -

CUSTOMER DRAWING

TE Connectivity

NAME  
COOL SPLICE  
ONE POSITION LARGE WIRE GAUGE

SIZE CAGE CODE DRAWING NO RESTRICTED TO

A3 00779 C-2213600 -

SCALE 1:1 SHEET 2 OF 3 REV 15

DIMENSIONS:

mm

TOLERANCES UNLESS

OTHERWISE SPECIFIED:

0 PLC	±-
1 PLC	±0,2
2 PLC	±0,2
3 PLC	±-
4 PLC	±-
ANGLES	±-

MATERIAL

-

FINISH

-

1470-19 (3/11)

THIS DRAWING IS UNPUBLISHED.

RELEASED FOR PUBLICATION

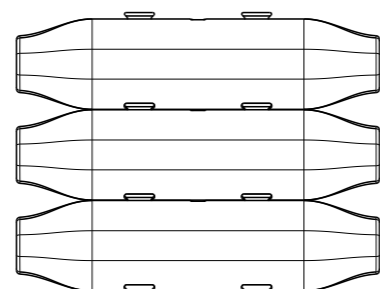
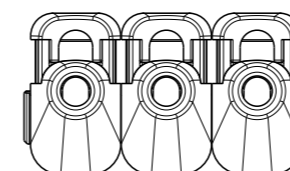
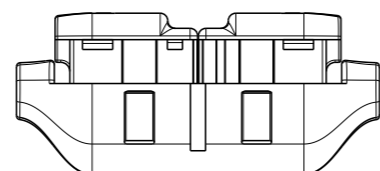
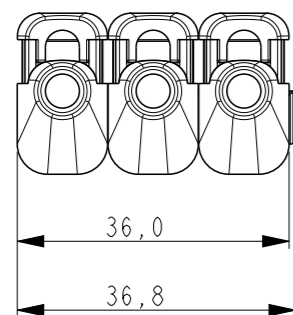
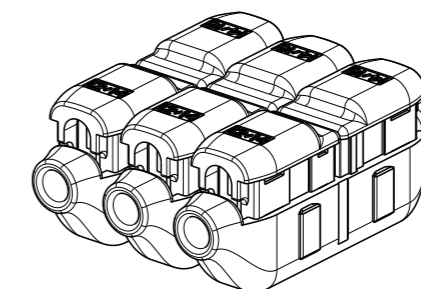
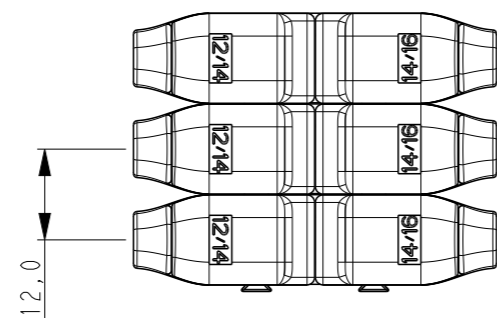
© COPYRIGHT - BY TYCO ELECTRONICS CORPORATION. ALL RIGHTS RESERVED.

LOC DIST

REVISIONS



P	LTR	DESCRIPTION	DATE	DWN	APVD
-	-	SEE SHEET 1	-	-	-

### DIMENSIONS AFTER STACKING



**PRELIMINARY PART  
NOT RELEASED FOR PRODUCTION**

**THIS PRODUCT HAS NOT COMPLETED  
VALIDATION TESTING**

THIS DRAWING IS A CONTROLLED DOCUMENT.		DWN M.V.ESSSEN 06 NOV'15	 TE Connectivity		
DIMENSIONS: mm		CHK C.V.STEENDEREN			
		APVD O.IEIJNSE	NAME COOL SPLICE ONE POSITION LARGE WIRE GAUGE		
TOLERANCES UNLESS OTHERWISE SPECIFIED:		PRODUCT SPEC 108-133061	RESTRICTED TO		
0 PLC ±-		APPLICATION SPEC 114-133061	SIZE A3	CAGE CODE 00779	DRAWING NO C-2213600
1 PLC ±0,2		WEIGHT -	SCALE 1:1		
2 PLC ±0,2		CUSTOMER DRAWING	SHEET 3 OF 3		
3 PLC ±-			REV 15		
4 PLC ±-					
ANGLES ±-					
FINISH -					
MATERIAL -					