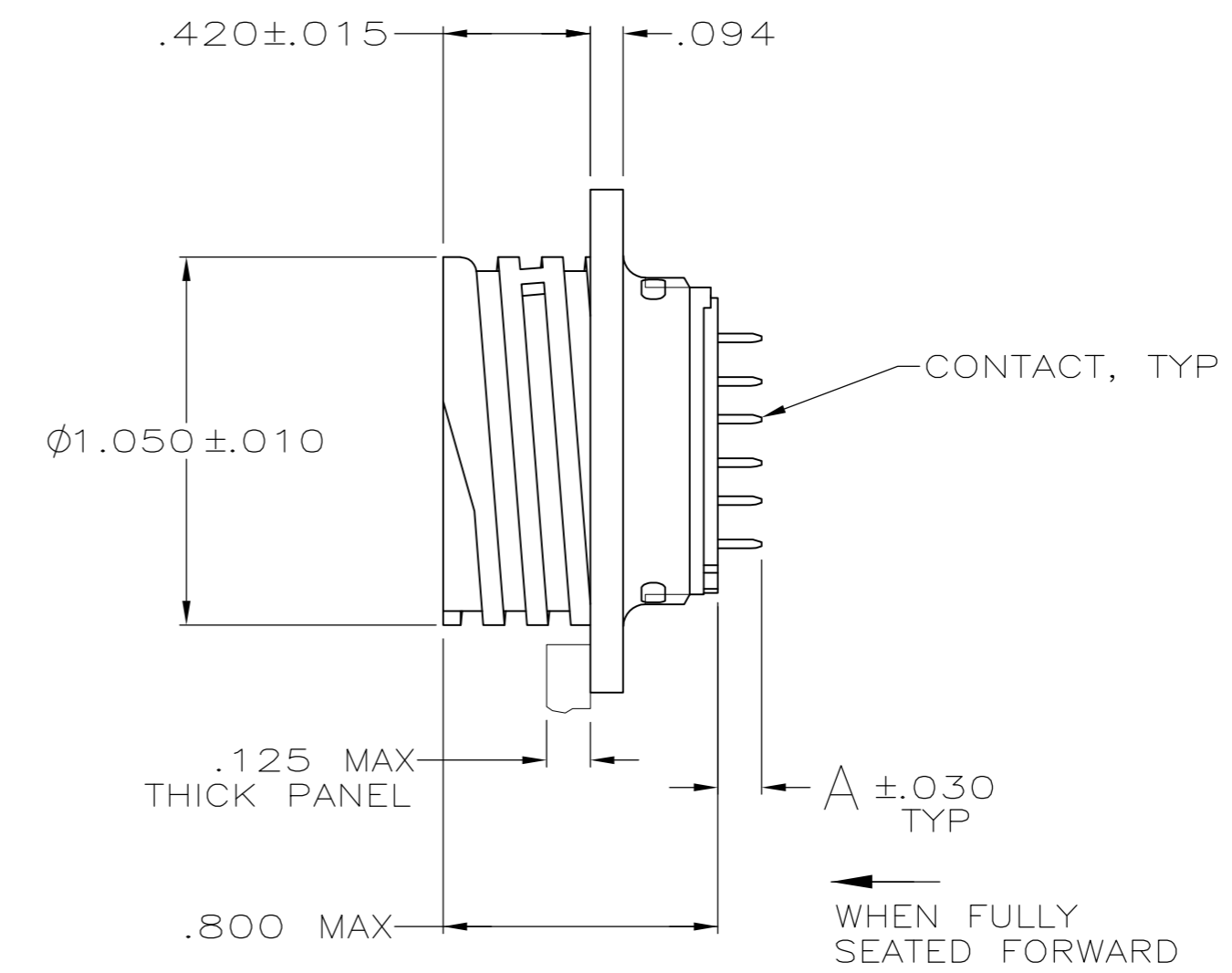
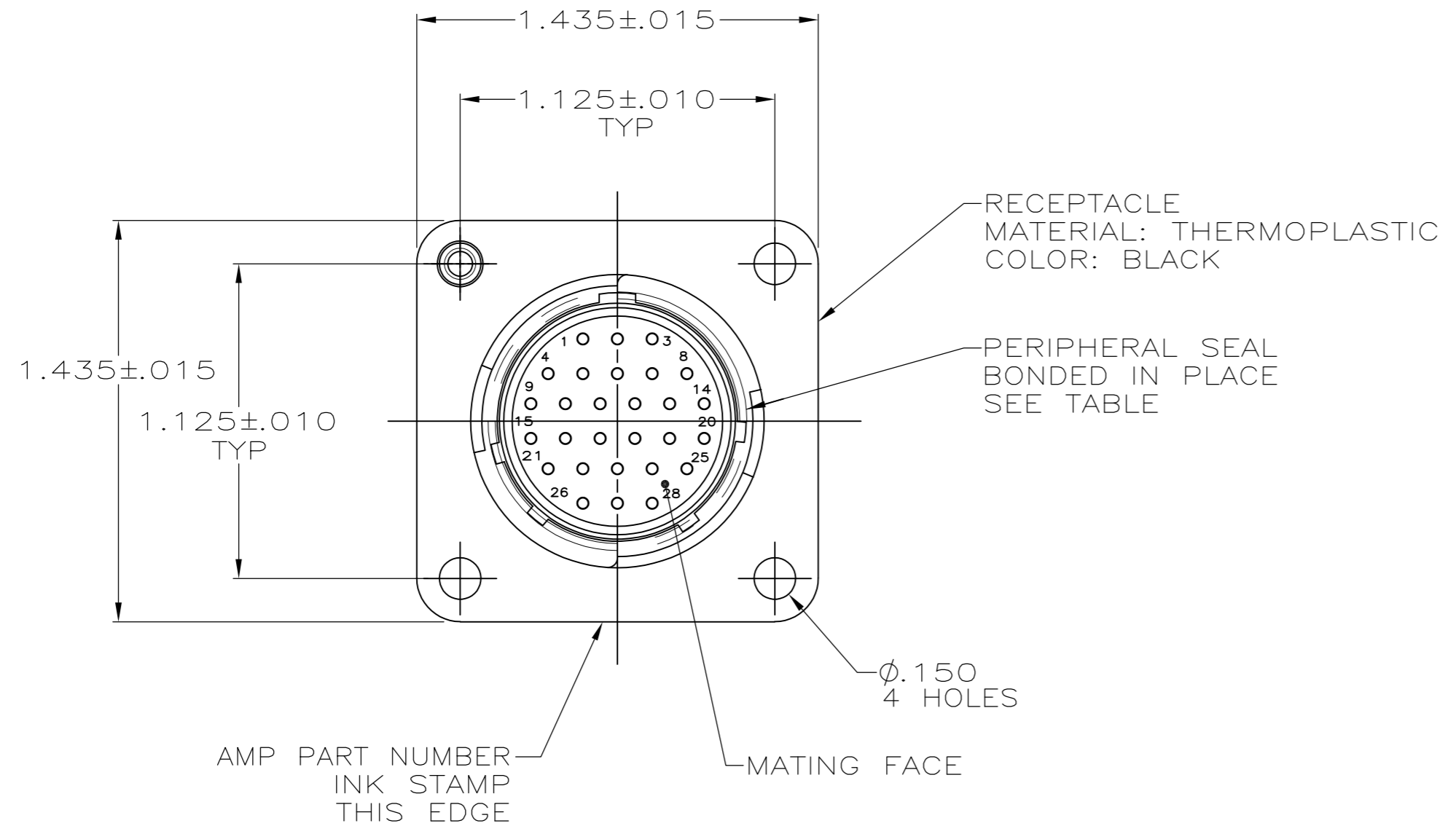


THIS DRAWING IS UNPUBLISHED. RELEASED FOR PUBLICATION  
 © COPYRIGHT - By - ALL RIGHTS RESERVED.

REVISIONS				
P	LTR	DESCRIPTION	DATE	APVD
	K1	REVISED PER ECO-16-004800	10SEP2016	NK MZ

- 1 CONTACT CAVITIES IDENTIFIED BY CHARACTERS ON FRONT FACE OF CONNECTOR.
- 2 .000030 MIN GOLD FOR A LENGTH OF .100 MIN FROM MATING END, .000100 MIN TIN-LEAD FOR A LENGTH OF "A" MIN FROM OPPOSITE END, ALL OVER .000050 MIN NICKEL.
- 3 RECOMMENDED HOLE SIZE .047 DIA FOR P.C. BOARD.
- 4 .000030 MIN GOLD FOR A LENGTH OF .100 MIN FROM MATING END, .000100 MIN TIN FOR A LENGTH OF "A" MIN FROM OPPOSITE END, ALL OVER .000050 MIN NICKEL.



CONTACT FINISH	PERIPHERAL SEAL	THREADED INSERT	DIM A	PART NUMBER
4	NO	YES	.125	1-207369-4
4	NO	NO	.352	1-207369-3
4	NO	NO	.125	1-207369-1
2	YES	YES	.796	207369-5
2	NO	YES	.125	207369-4
OBSOLETE 2	NO	NO	.352	<del>207369-3</del>
OBSOLETE 2	NO	NO	-	<del>207369-2</del>
2	NO	NO	.125	207369-1

THIS DRAWING IS A CONTROLLED DOCUMENT.

DWN J. GALLUCCI BG 5-22-91		TE Connectivity		
CHK W.G. LENKER 4-14-92		RECEPTACLE ASSEMBLY, POSTED, STD SEX, SERIES 2, 17-28, CPC		
APVD K. BEAVER 4-14-92		SIZE	CAGE CODE	DRAWING NO
PRODUCT SPEC 108-10024		A2	00779	C-207369
MATERIAL SEE CALLOUT	WEIGHT 0.000000	SCALE 2:1	SHEET 1 of 1	
	CUSTOMER DRAWING	RESTRICTED TO	REV K1	