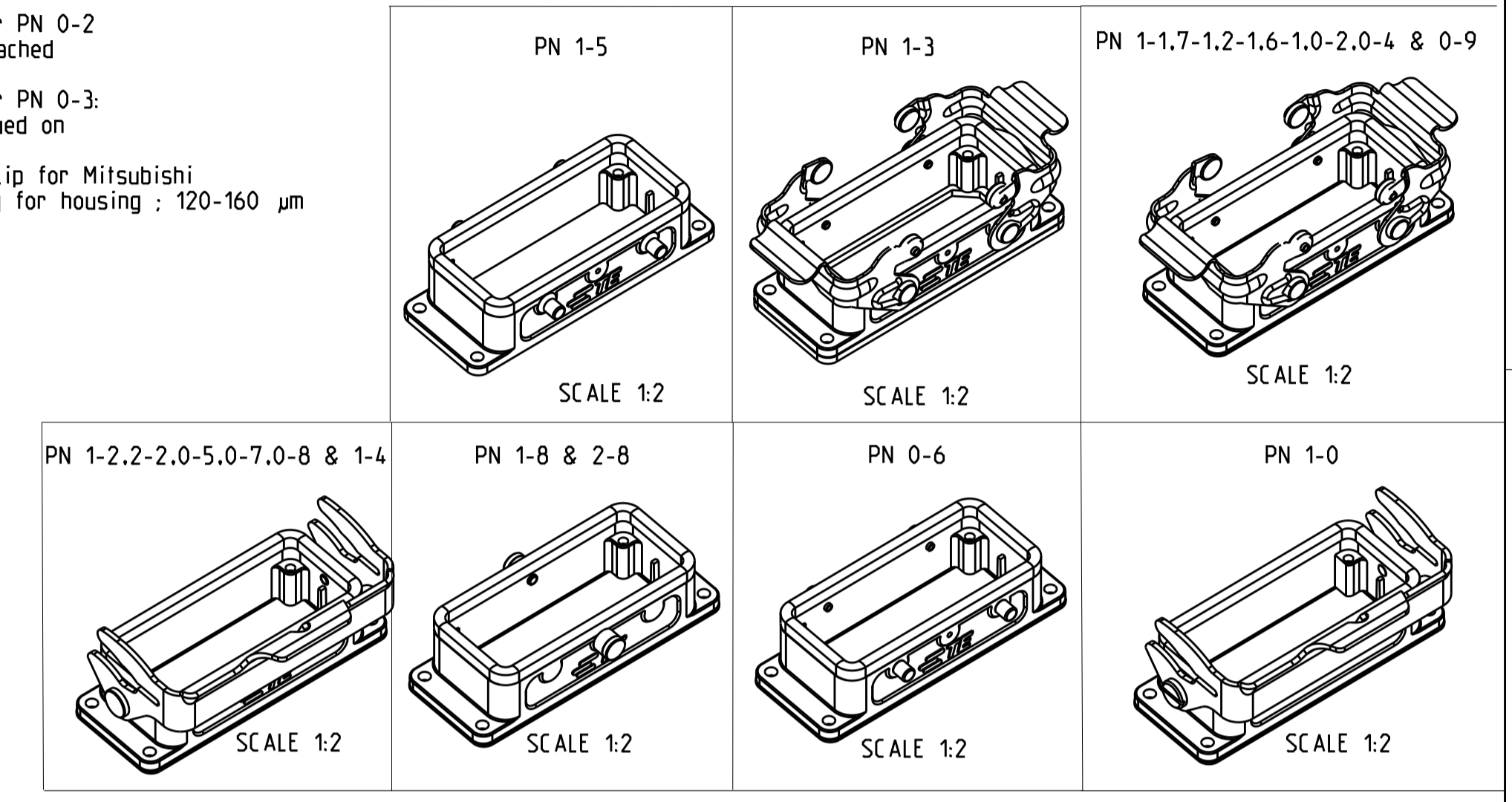


- NOTES
- 1 Material: Housing aluminium diecasting alloy
Seals: Neoprene : Viton
 - 2 Surface: Varnish Grey: Black
 - 3 Varnish on the inside not necessary
 - 4 Packaging quantity 5 pieces
 - 5 Packaging quantity 100 pieces
 - 6 Packaging quantity 150 pieces
 - 7 Only valid for PN 0-1:
couding device beveled on dimension 82
 - 8 Only valid for PN 0-4 and 0-5
Plat form beveled on dimension 72.5*0.1 both sides
 - 9 Only valid for PN 0-2
Seal loose attached
 - 10 Only valid for PN 0-3:
flange seal clued on
 - 11 Special side clip for Mitsubishi
powder coating for housing : 120-160 µm



QTY	DESCRIPTION	MATERIAL	SURFACE	COLOR	ITEM NO	NOTES
1	Surface mounted housing bottom entry HB	Aluminium		Grey RAL7001	22	With bolt
1	LB-Side clip	Steel	Zinc plated	Blue	21	
1	Surface mounted housing bottom entry HB	Aluminium		Grey 120-160 µm	20	
1	Flange seal	Viton		Black	19	
1	Profile seal	Viton		Grey	18	
1	Surface mounted housing bottom entry HB	Aluminium		Grey RAL7001	17	Neutral
1	Surface mounted housing bottom entry HB	Aluminium		Grey RAL7001	16	Without bolt
1	Clip bolt-HB	Steel	Zinc plated	Blue	15	
1	Surface mounted housing bottom entry HB	Aluminium		Grey RAL7001	14	
1	Flange seal	Neoprene		Black	12	
1	Profile seal	Neoprene		Black	11	
1	ZB-Clip bolt	Stainless steel			10	
1	ZB-Clip bolt	Steel	Zinc plated	Blue	9	
1	LB-Side clip	Stainless steel			8	
1	LB-Side clip	Steel	Zinc plated	Blue	7	
1	VS-Locking clip	Stainless steel			6	
1	VS-Locking clip	Steel	Zinc plated	Blue	5	
1	Surface mounted housing bottom entry HB	Aluminium		With out varnish	4	
1	Surface mounted housing bottom entry HB-K	Aluminium	Aluminium oxide	Black RAL9005	3	
1	Surface mounted housing bottom entry HB-K	Aluminium		Black RAL9005	2	
1	Surface mounted housing bottom entry HB	Aluminium		Grey RAL7001	1	

THIS DRAWING IS A CONTROLLED DOCUMENT. DWG: Schwieger 23.07.1997
 CHK: Kramer 23.06.1998

DIMENSIONS: mm

TOLERANCES UNLESS OTHERWISE SPECIFIED:

0 PLC	±0.1
1 PLC	±0.1
2 PLC	±0.1
3 PLC	±0.1
4 PLC	±0.1
ANGLES	±0.1
FINISH	±0.1

MATERIAL: HB.16.AG-F, HB.16.AG-LB

PRODUCT SPEC: 108-74.001/74.003
 APPLICATION SPEC: 114-74.001/74.004/74.005

WEIGHT: A1 00779

CUSTOMER DRAWING

TE Connectivity
STE
 Surface Mounted housing Bottom Entry HB.16

SCALE: 1:1 SHEET 1 OF 1