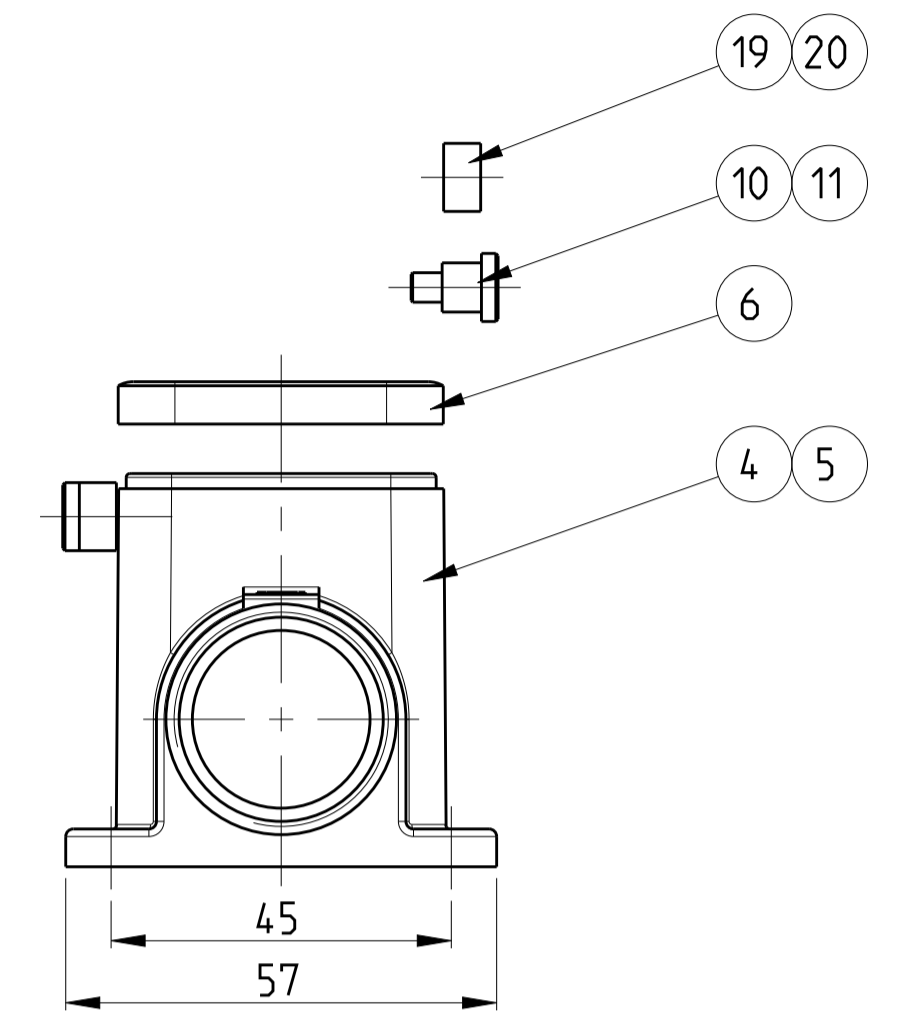
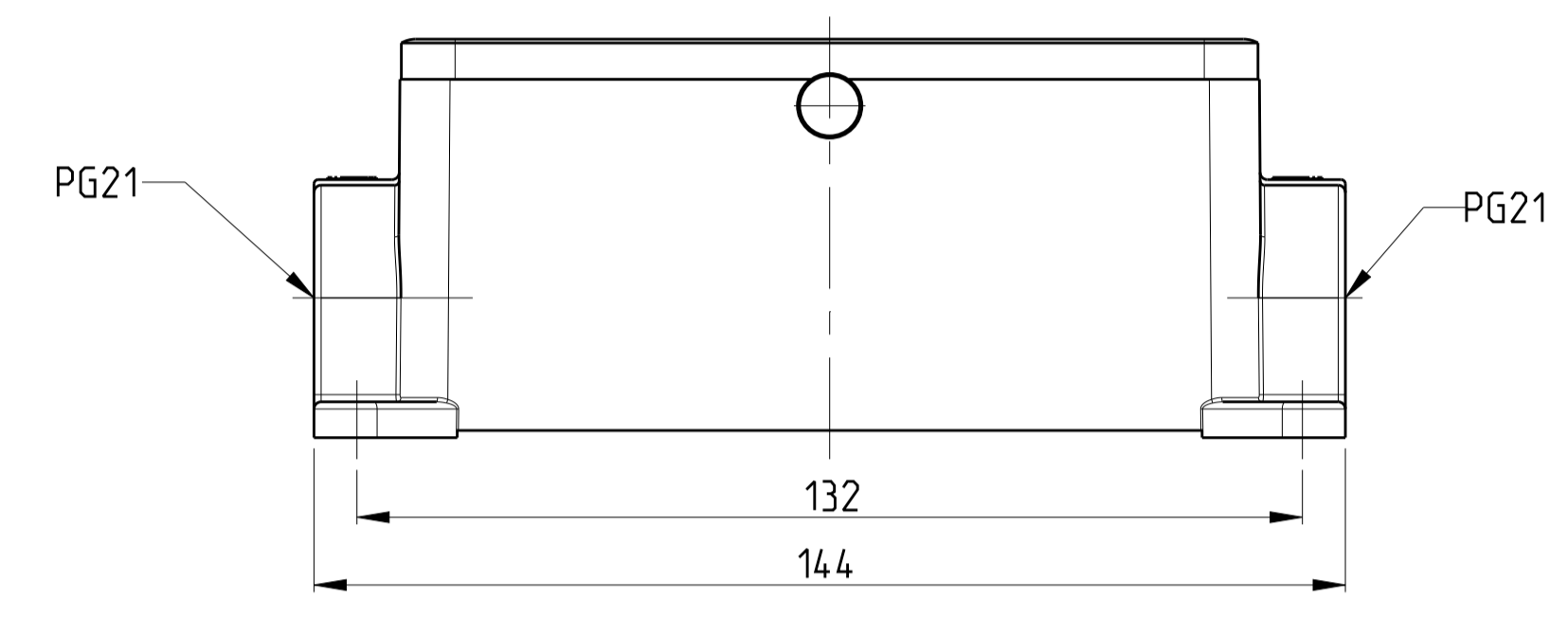
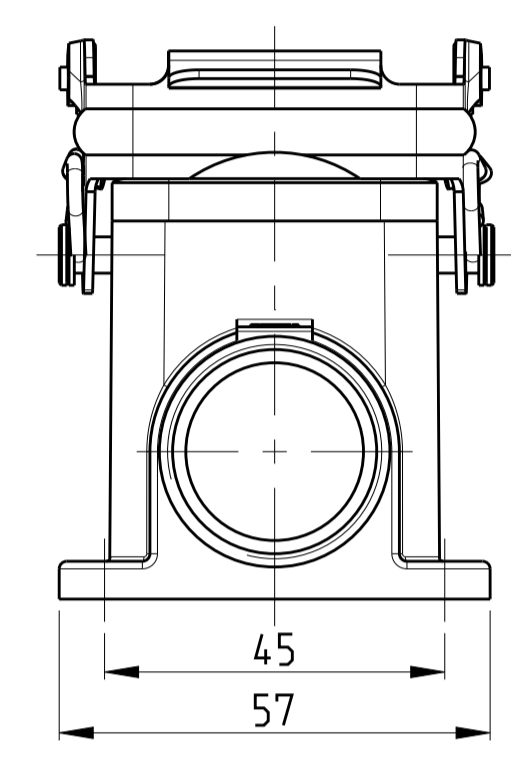
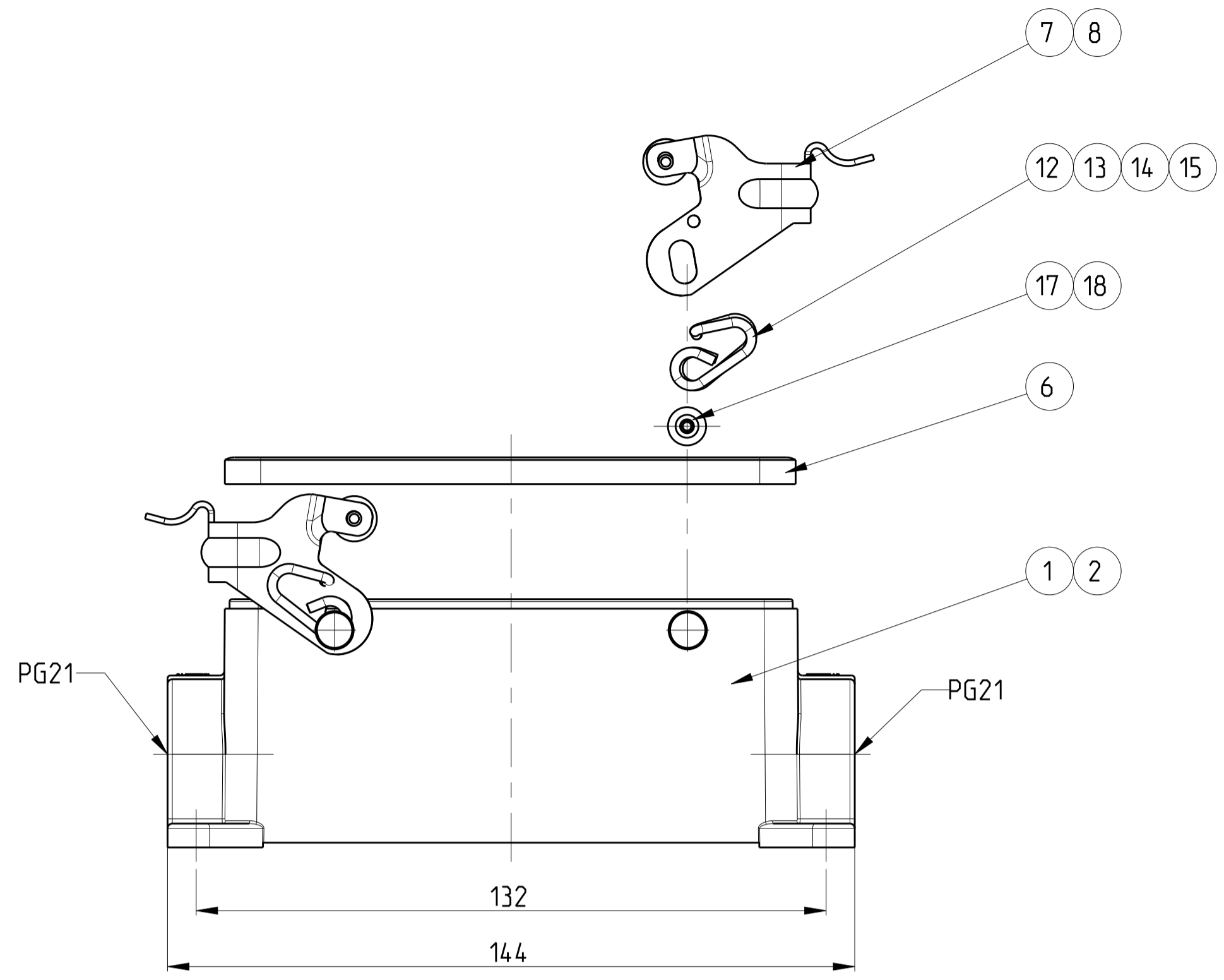
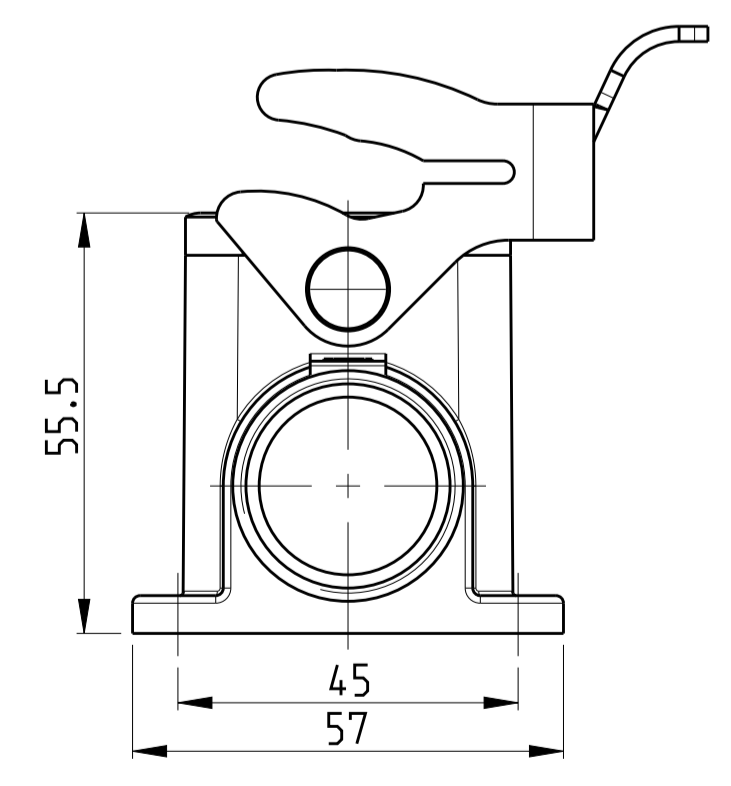
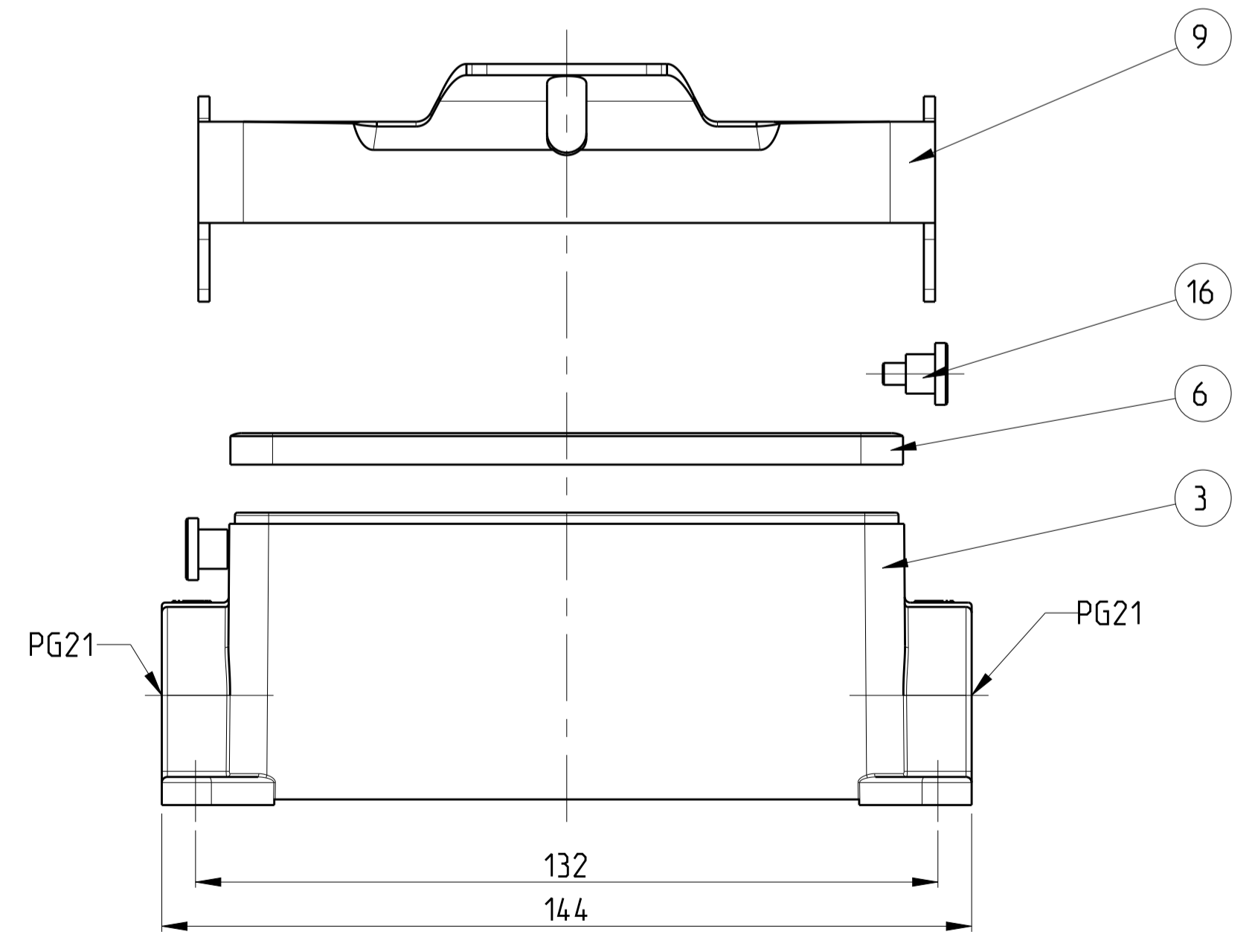


LOC	DIST	REVISIONS					
		P	LTR	DESCRIPTION	DATE	DWN	APVD
A3				ECR-09-013545	05 JUN 2009	SR	AR
A4				ECR-16-000314	14 JAN 2016	GCM	JB



NOTES

- 1 PART SHALL BE FREE AND CLEAN OF BURRS AND OTHER FOREIGN MATERIAL
- 2 PACKAGING: QUANTITY 3 PIECES
- 3 VARNISHING INSIDE HOUSING NOT REQUIRED



QTY	DESCRIPTION	MATERIAL	SURFACE	COLOR	ITEM	NOTES					
2	SLIDE SPOOL	STAINLESS STEEL	BLANC		20						
2	SLIDE SPOOL	STEEL	ZINC PLATED	BLUE	19						
	4 LOCKING CLIP	STAINLESS STEEL	BLANC		18						
	4 CLIP POSITIONER	STEEL	ZINC PLATED	BLUE	17						
	2 CLIP POSITIONER	STEEL	ZINC PLATED	BLUE	16						
	2 CLIP SPRING RIGHT	STAINLESS STEEL	BLANC		15						
	2 CLIP SPRING RIGHT	STEEL	ZINC PLATED	BLUE	14						
	2 CLIP SPRING LEFT	STAINLESS STEEL	BLANC		13						
	2 CLIP SPRING LEFT	STEEL	ZINC PLATED	BLUE	12						
2	CLIP POSITIONER	STAINLESS STEEL	BLANC		11						
2	CLIP POSITIONER	STEEL	ZINC PLATED	BLUE	10						
	1 SIDE CLIP	STEEL	ZINC PLATED	BLUE	9						
	2 LOCKING CLIP	STAINLESS STEEL	BLANC		8						
	2 LOCKING CLIP	STEEL	ZINC PLATED	BLUE	7						
1	1	1	1	1	PROFILE SEAL	NEOPRENE		BLACK	6		
1					SURFACE MOUNTED HOUSING SIDE ENTRY	ALUMINIUM		ALUMINIUM OXID	BLACK	5	
1					SURFACE MOUNTED HOUSING SIDE ENTRY	ALUMINIUM			GREY	4	
1					SURFACE MOUNTED HOUSING SIDE ENTRY	ALUMINIUM			GREY	3	
1					SURFACE MOUNTED HOUSING SIDE ENTRY	ALUMINIUM		ALUMINIUM OXID	BLACK	2	
1					SURFACE MOUNTED HOUSING SIDE ENTRY	ALUMINIUM			GREY	1	
2-8	1-8	1-2	2-1	1-1	DESCRIPTION	MATERIAL	SURFACE	COLOR	ITEM	NOTES	
					HB.24.SG-VS.2.21.Z						
					HB-K.24.SG-VS.2.21.Z						
					HB.24.SG-LB.2.21.Z						
					HB-Z.24.SG-ZVGR.2.21.Z						
					HB-K/Z.24.SG-ZVGR.2.21.Z						

THIS DRAWING IS A CONTROLLED DOCUMENT. DWG: R.SCHNEIDER 05JUN2009  
 CHE: T.SCHNURPFEL 05JUN2009

TE Connectivity

PRODUCT SPEC: SURFACE MOUNTED HOUSING SIDE ENTRY HB.24.SG.2.21

APPLICATION SPEC: -

SIZE: A1 CAGE CODE: 00779 DRAWING NO: 1102333

SCALE: 1:1 SHEET: 1 OF 1 REV: A4