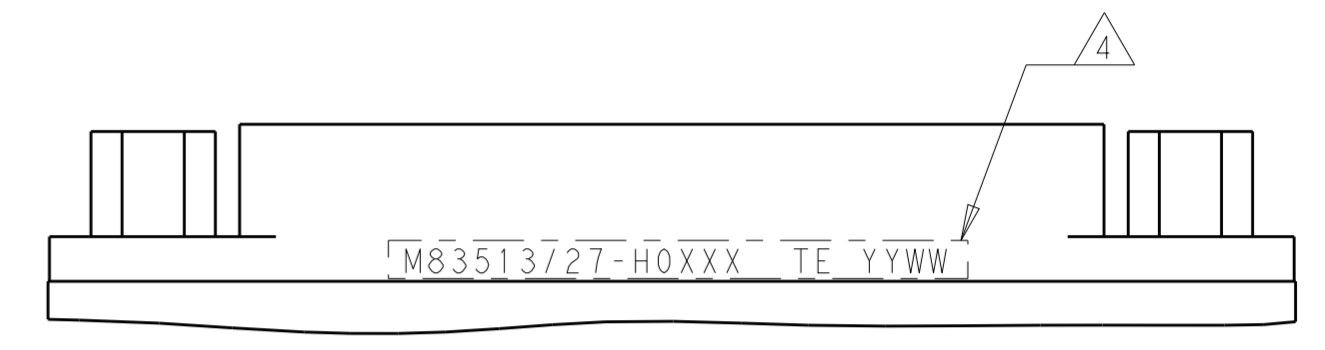
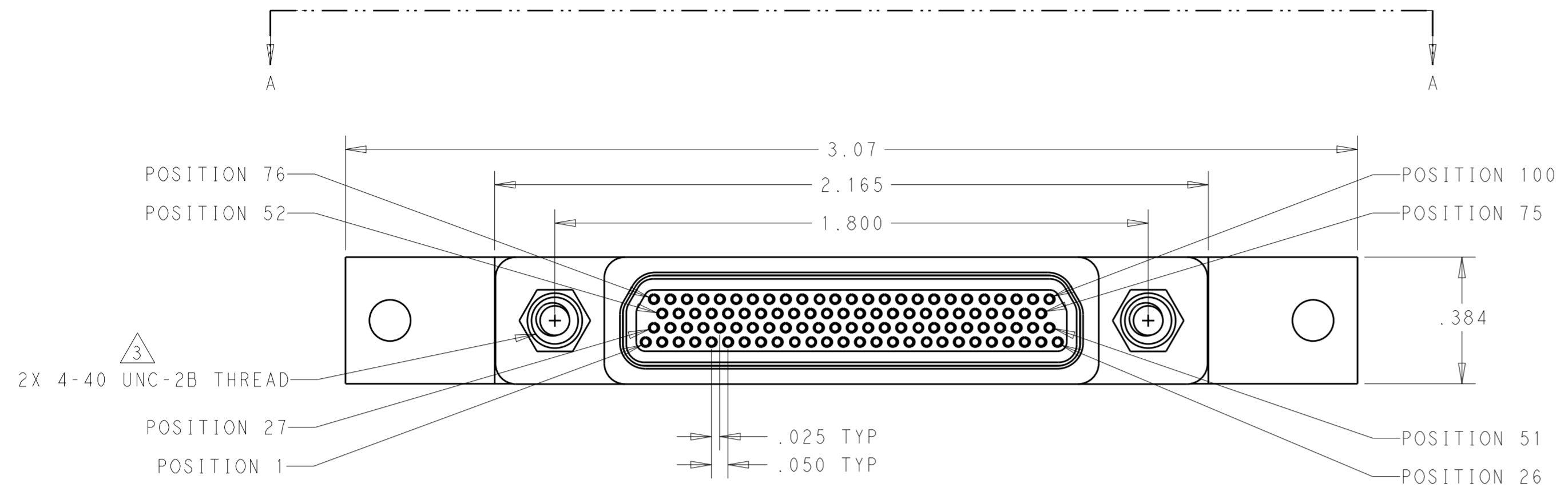
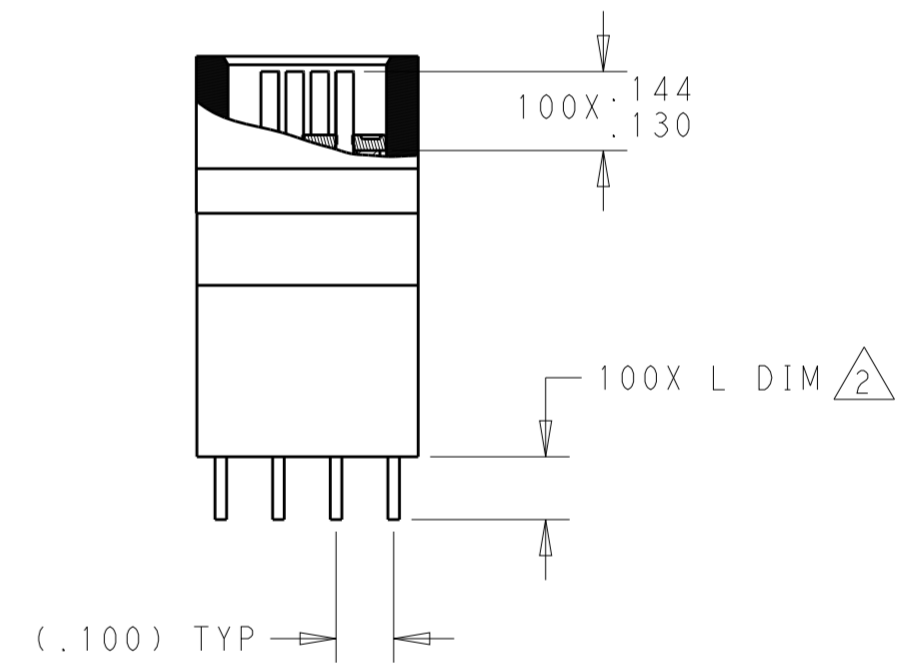
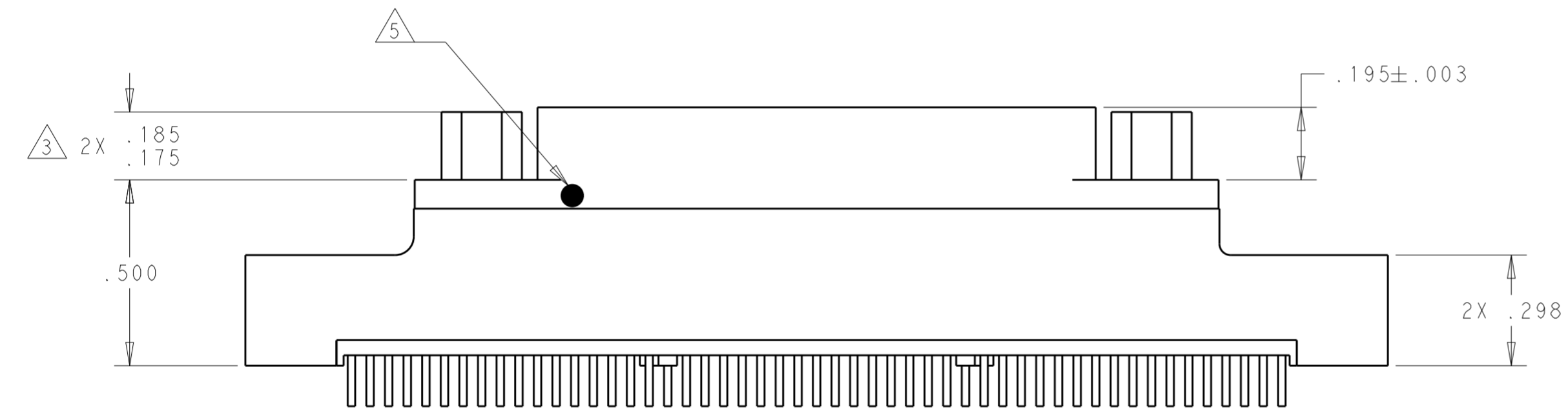


THIS DRAWING IS UNPUBLISHED. RELEASED FOR PUBLICATION
 © COPYRIGHT copyright.d8te- ALL RIGHTS RESERVED.

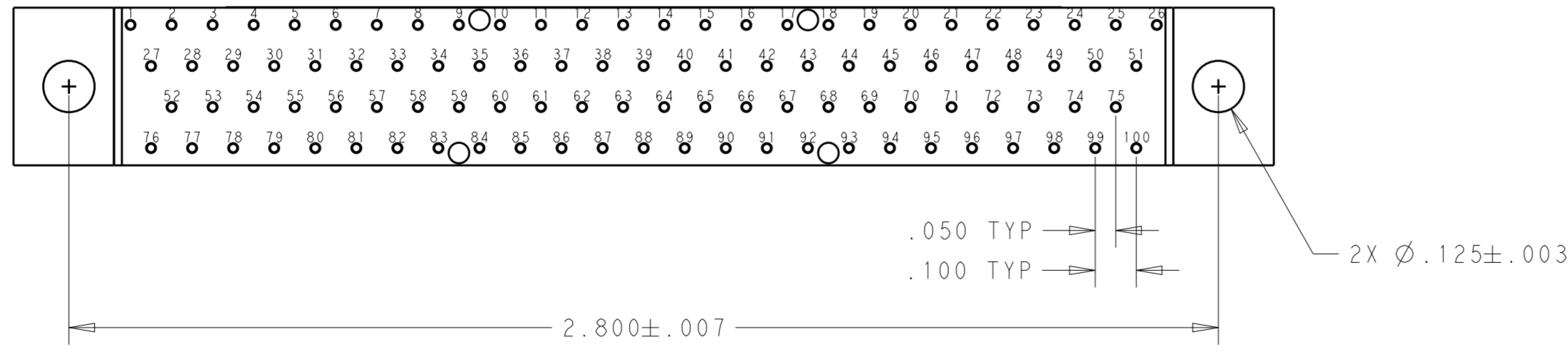
REVISIONS				
P	LTR	DESCRIPTION	DATE	APVD
B		UPDATE PER ECO-16-010851	20JUL2016	DS CS



VIEW A-A



JACKPOSTS OMITTED FOR CLARITY



SEE SHEET 2 FOR NOTES

THIS DRAWING IS A CONTROLLED DOCUMENT.		DWN C SCHOLL 02JUL2012	TE Connectivity	
DIMENSIONS: IN		CHK -		
TOLERANCES UNLESS OTHERWISE SPECIFIED:		APVD M STORRY 02JUL2012	NAME RECEPTACLE ASSEMBLY, MCKS, ST1 STRAIGHT TERMINATION, PCB MOUNT 4 ROW, SZ 100, MIL-DTL-83513/27	
0 PLC ±-		PRODUCT SPEC -	SIZE A2	
1 PLC ±-		APPLICATION SPEC -	CAGE CODE 98278	
2 PLC ±.010		WEIGHT -	DRAWING NO C-1532281	
3 PLC ±.005		CUSTOMER DRAWING	RESTRICTED TO -	
4 PLC ±-		SCALE 1:1	SHEET 1 OF 2	
ANGLES ±1°			REV B	
FINISH -				
MATERIAL SEE NOTES				
SEE NOTES				

THIS DRAWING IS UNPUBLISHED. RELEASED FOR PUBLICATION
 © COPYRIGHT copyright.d8te- ALL RIGHTS RESERVED.

REVISIONS				
P	LTR	DESCRIPTION	DATE	APVD
-		SEE SHEET 1	-	-

TE PART NUMBER	MIL-DTL-83513 PIN	MCKS DESCRIPTION	SHELL FINISH $\triangle 1$	HARDWARE $\triangle 3$	L DIM $\pm .015$
1532281-1	M83513/27-H01CN	MCKS-C2-B-100SST1	CADMIUM	NONE	.109
1532281-2	M83513/27-H01CP	MCKS-C2-S-100SST1	CADMIUM	JACKPOSTS	.109
1532281-3	M83513/27-H01NN	MCKS-N1-B-100SST1	NICKEL	NONE	.109
1532281-4	M83513/27-H01NP	MCKS-N1-S-100SST1	NICKEL	JACKPOSTS	.109
1532281-5	M83513/27-H02CN	MCKS-C2-B-100SST1A	CADMIUM	NONE	.140
1532281-6	M83513/27-H02CP	MCKS-C2-S-100SST1A	CADMIUM	JACKPOSTS	.140
1532281-7	M83513/27-H02NN	MCKS-N1-B-100SST1A	NICKEL	NONE	.140
1532281-8	M83513/27-H02NP	MCKS-N1-S-100SST1A	NICKEL	JACKPOSTS	.140
1532281-9	M83513/27-H03CN	MCKS-C2-B-100SST1B	CADMIUM	NONE	.172
1-1532281-0	M83513/27-H03CP	MCKS-C2-S-100SST1B	CADMIUM	JACKPOSTS	.172
1-1532281-1	M83513/27-H03NN	MCKS-N1-B-100SST1B	NICKEL	NONE	.172
1-1532281-2	M83513/27-H03NP	MCKS-N1-S-100SST1B	NICKEL	JACKPOSTS	.172
1-1532281-3	M83513/27-H01PN	MCKS-P1-B-100SST1	PASSIVATED SS	NONE	.109
1-1532281-4	M83513/27-H01PP	MCKS-P1-S-100SST1	PASSIVATED SS	JACKPOSTS	.109
1-1532281-5	M83513/27-H02PN	MCKS-P1-B-100SST1A	PASSIVATED SS	NONE	.140
1-1532281-6	M83513/27-H02PP	MCKS-P1-S-100SST1A	PASSIVATED SS	JACKPOSTS	.140
1-1532281-7	M83513/27-H03PN	MCKS-P1-B-100SST1B	PASSIVATED SS	NONE	.172
1-1532281-8	M83513/27-H03PP	MCKS-P1-S-100SST1B	PASSIVATED SS	JACKPOSTS	.172

$\triangle 1$ SHELL MATERIAL: 6061-T6 ALUMINUM
 FINISH OPTIONS:
 ELECTROLESS NICKEL PLATED PER SAE-AMS-C-26074 OR SAE AMS 2404 OR CADMIUM PLATED PER SAE-AMS-QQ-P-416 WITH YELLOW CHROMATE
 OR PASSIVATED STAINLESS STEEL PER SAE AMS2700
 INSULATOR: LIQUID CRYSTAL POLYMER (LCP)
 HARDWARE: 300 SERIES STAINLESS STEEL
 TB BOX: POLYPHENYLENE SULFIDE (PPS) AND EPOXY POTTING

$\triangle 2$ TERMINATION: 24AWG GOLD PLATED COPPER WIRE, Sn63Pb37 SOLDER DIPPED UP TO MOUNTING SURFACE AT A MINIMUM


$\triangle 3$ JACKPOST HARDWARE SHALL BE PERMANENTLY INSTALLED AS SHOWN WHEN REQUIRED BY THE MIL PIN, JACKPOST DIMENSIONS AND REQUIREMENTS ARE DEFINED IN MIL-DTL-83513/5.

$\triangle 4$ CONNECTOR SHALL BE MARKED IN ACCORDANCE WITH METHOD I OF MIL-STD-1285. MARKING SHALL CONTAIN THE MILITARY PIN, CAGE CODE (OR TE), AND DATE CODE. EXAMPLE: M83513/27-H0XXX TE YYWW (WHERE XXX IS PART OF THE PIN SHOWN IN THE "MIL-DTL-83513 PIN" COLUMN OF THE PART NUMBER TABLE, AND YYWW IS THE DATE CODE). THE MARKING MUST BE PRINTED ON THE FLANGE. TEXT HEIGHT SHALL BE .035 INCH MINIMUM.

$\triangle 5$ POSITION 1 SHALL BE INDICATED BY AN IDENTIFIABLE MARK, LOCATED APPROXIMATELY AS SHOWN ON THE POSITION 1 SIDE OF THE CONNECTOR FLANGE. THIS MARK SHALL BE INCLUDED AS PART OF THE PART MARKING INFORMATION.

$\triangle 6$ TERMINAL IDENTIFICATION NUMBERS AS SHOWN DO NOT ACTUALLY APPEAR ON THE PART (FOR IDENTIFICATION ONLY)

7 ALL REQUIREMENTS CONFORM TO MIL-DTL-83513/27. SEE MIL-SPEC FOR DETAILED INTERFACE DIMENSIONS AND SUGGESTED PCB LAYOUTS

THIS DRAWING IS A CONTROLLED DOCUMENT.		DWN C SCHOLL 02 JUL 2012	 TE Connectivity	
DIMENSIONS: IN		CHK -		
TOLERANCES UNLESS OTHERWISE SPECIFIED: 0 PLC \pm 1 PLC \pm 2 PLC $\pm .010$ 3 PLC $\pm .005$ 4 PLC \pm ANGLES $\pm 1^\circ$		APVD M STORRY 02 JUL 2012	NAME RECEPTACLE ASSEMBLY, MCKS, ST1 STRAIGHT TERMINATION, PCB MOUNT 4 ROW, SZ 100, MIL-DTL-83513/27	
MATERIAL SEE NOTES		FINISH SEE NOTES	PRODUCT SPEC -	RESTRICTED TO -
-		WEIGHT -	APPLICATION SPEC -	SIZE A2
-		CUSTOMER DRAWING	SCALE 1:1	CAGE CODE 98278
-			DRAWING NO G-1532281	REV B
-			SHEET 2 OF 2	