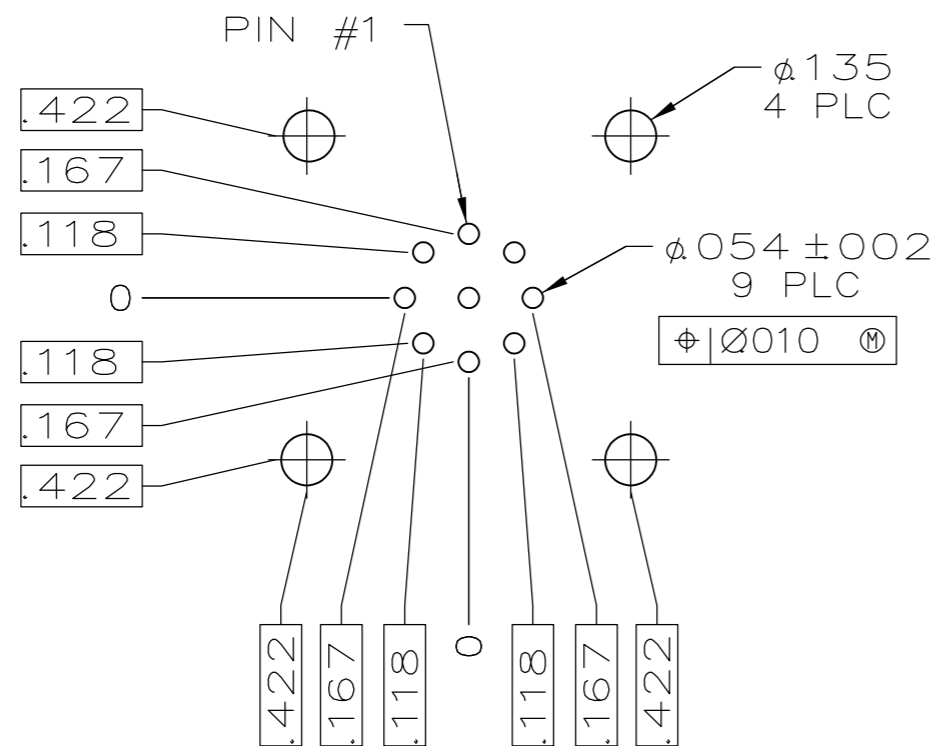
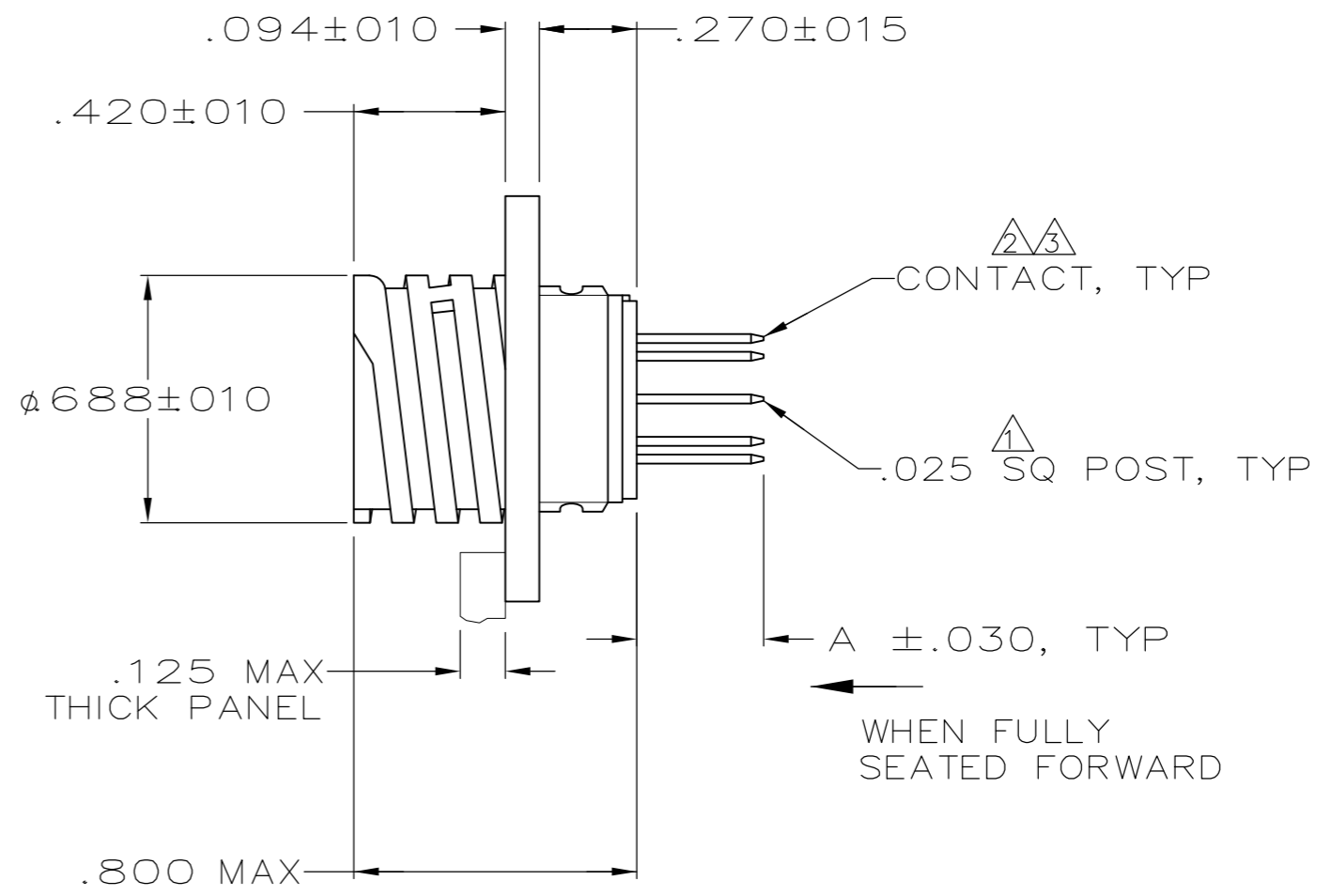
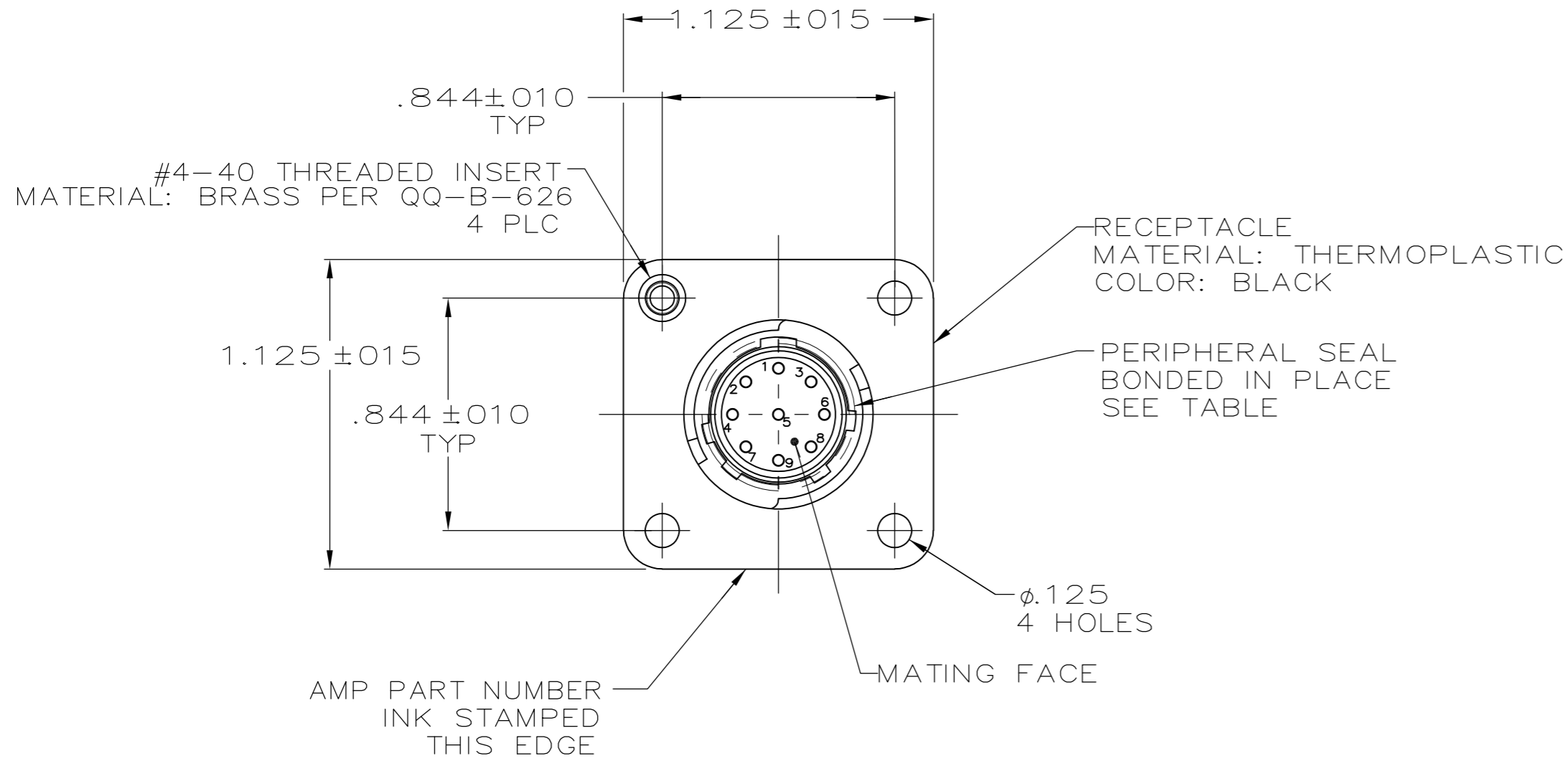


THIS DRAWING IS UNPUBLISHED. RELEASED FOR PUBLICATION
 © COPYRIGHT - By - ALL RIGHTS RESERVED.

REVISIONS				
P	LTR	DESCRIPTION	DATE	APVD
T2		REVISED PER ECO-16-004800	12SEP2016	NK MZ

- 1 POSTS WILL BE ORIENTED WITH SEAM TOWARD INK STAMPED EDGE, OR ROTATED 180°.
- 2 .000030 MIN GOLD FOR A LENGTH OF .200 MIN FROM MATING END, .000100 MIN TIN-LEAD FOR A LENGTH OF DIMENSION 'A' FROM OPPOSITE END, ALL OVER .000050 MIN NICKEL.
- 3 .000030 MIN GOLD FOR A LENGTH OF .200 MIN FROM MATING END, .000100 MIN TIN FOR A LENGTH OF DIMENSION 'A' FROM OPPOSITE END, ALL OVER .000050 MIN NICKEL.



RECOMMENDED PC BOARD LAYOUT

	CONTACT FINISH	DIM A	PERIPHERAL SEAL	THREADED INSERTS	PART NUMBER
	3	.125	NO	NO	1-206852-2
	3	.352	NO	NO	1-206852-1
PRELIMINARY	3	.125	YES	YES	1-206852-0
PRELIMINARY	3	.796	YES	YES	206852-9
	3	-	NO	YES	206852-8
OBSOLETE	3	-	NO	NO	206852-7
OBSOLETE	3	-	NO	NO	206852-6
OBSOLETE	3	-	NO	NO	206852-5
OBSOLETE	3	.352	NO	NO	206852-4
OBSOLETE	3	.574	NO	NO	206852-3
	3	.125	NO	NO	206852-2
OBSOLETE	3	.352	NO	NO	206852-1

THIS DRAWING IS A CONTROLLED DOCUMENT.

DIMENSIONS: INCHES	TOLERANCES UNLESS OTHERWISE SPECIFIED: 0 PLC ± - 1 PLC ± - 2 PLC ± .02 3 PLC ± .005 4 PLC ± - ANGLES ± 0°30'	DWN J. GALLUCCI BG 5-22-91 CHK W.G. LENKER 4-13-92 APVD -	TE Connectivity
MATERIAL: SEE CALLOUT	FINISH: -	PRODUCT SPEC: 108-10024 APPLICATION SPEC: -	RECEPTACLE ASSEMBLY, POSTED, STD SEX, SERIES 2, 11-9, CPC
		WEIGHT: -	SIZE: A2 CAGE CODE: 00779 DRAWING NO: C=206852
		CUSTOMER DRAWING	RESTRICTED TO: -
		SCALE: 2:1	SHEET: 1 of 1 REV: T2