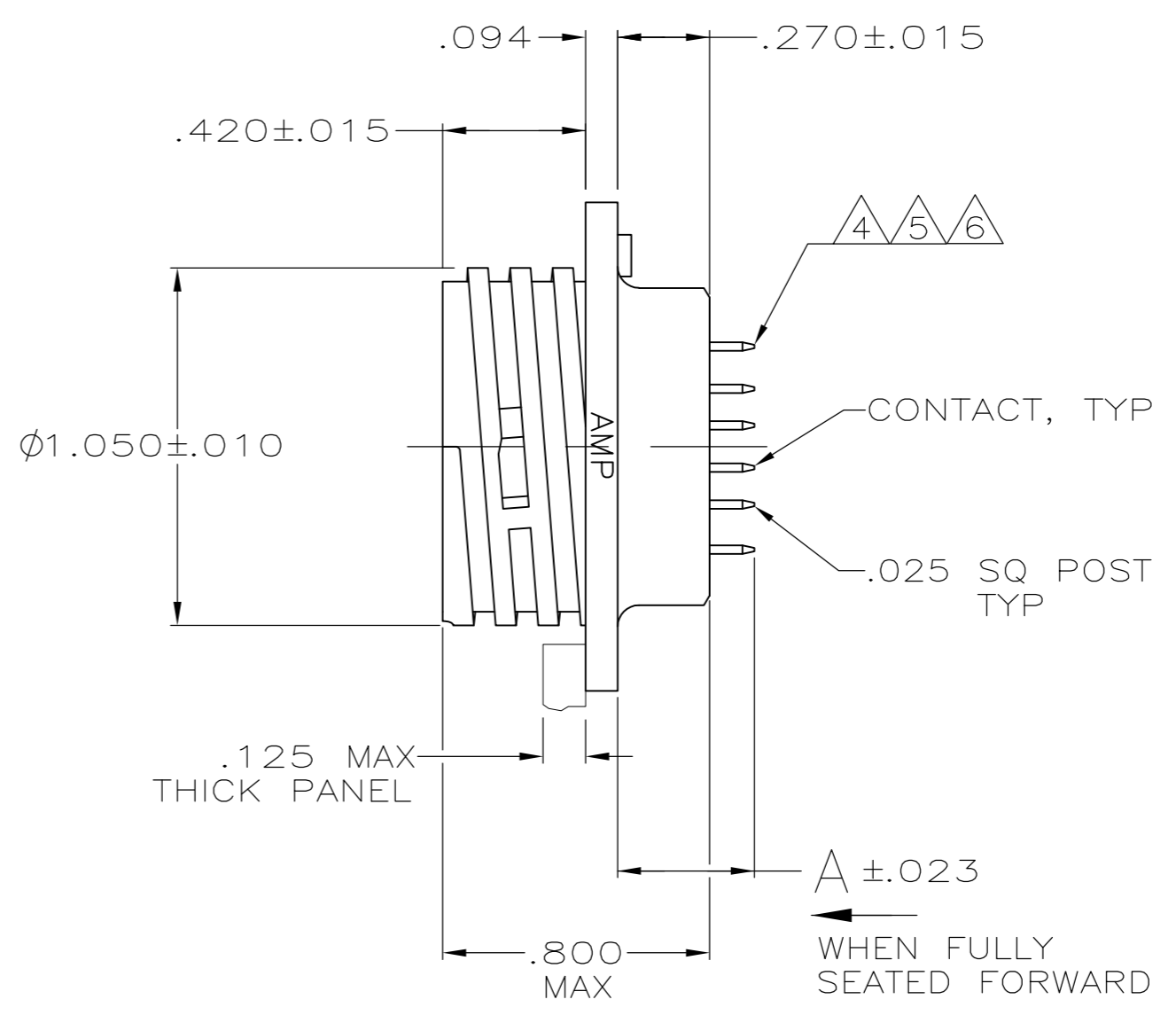
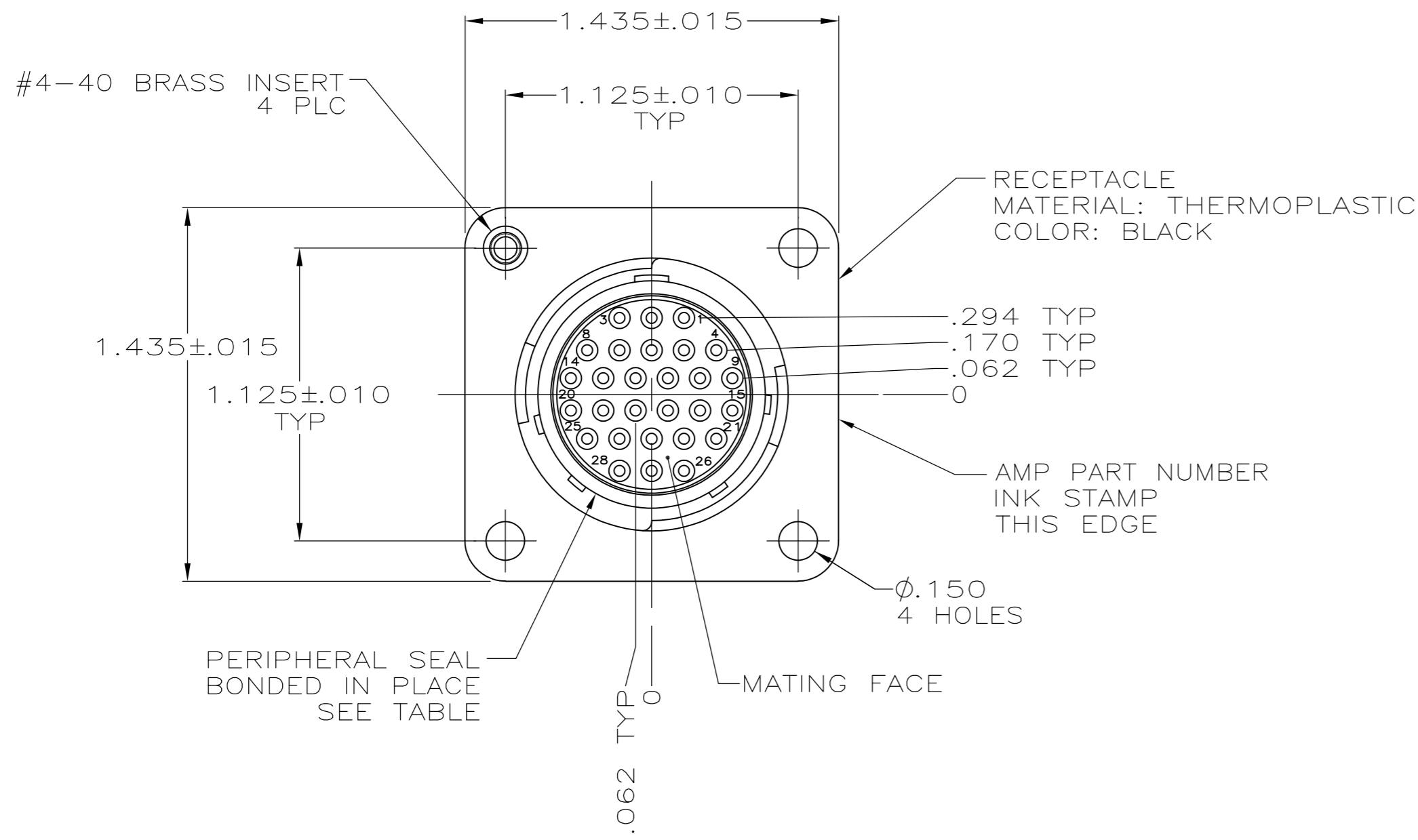


THIS DRAWING IS UNPUBLISHED. RELEASED FOR PUBLICATION
 © COPYRIGHT - By - ALL RIGHTS RESERVED.

REVISIONS				
P	LTR	DESCRIPTION	DATE	APVD
	AD4	REVISED PER ECO-16-004800	08SEP2016	NK MZ



- 1 CONTACT CAVITIES IDENTIFIED BY CHARACTERS ON FRONT AND REAR FACE OF CONNECTOR.
- 2 GOLD FLASH FOR A LENGTH OF .100 MIN FROM MATING END, .000100 MIN TIN-LEAD FOR A LENGTH OF DIMENSION 'A' FROM OPPOSITE END, ALL OVER .000050 MIN NICKEL.
- 3 .000030 MIN GOLD FOR A LENGTH OF .100 MIN FROM MATING END, .000100 MIN TIN-LEAD FOR A LENGTH OF DIMENSION 'A' FROM OPPOSITE END, ALL OVER .000050 MIN NICKEL.
- 4 CONTACTS TO BE SELECTIVELY LOADED INTO POSITIONS 1, 3, 4, 8, 14, 15, 21, 25, 26, 27 AND 28; FOR -1 ONLY.
- 5 CONNECTOR TO BE FULLY LOADED FOR -2, -3, -6, AND -8.
- 6 CONTACTS TO BE SELECTIVELY LOADED INTO POSITIONS 1 THRU 27; FOR -9 ONLY.
- 7 .000030 MIN GOLD FOR A LENGTH OF .100 MIN FROM MATING END, .000100 MIN TIN FOR A LENGTH OF DIMENSION 'A' FROM OPPOSITE END, ALL OVER .000050 MIN NICKEL.
- 8 GOLD FLASH FOR A LENGTH OF .100 MIN FROM MATING END, .000100 MIN TIN-LEAD FOR A LENGTH OF DIMENSION 'A' FROM OPPOSITE END, ALL OVER .000050 MIN NICKEL.
- 9 OBSOLETE PARTS: OBSOLETE CIS STREAMLINING PER D.RENAUD/D.SINISI

SEAL	THREADED INSERT	CONTACT FINISH	A	PART NUMBER					
				NO	YES	8	.851	2-207216-1	
				OBSOLETE	NO	YES	8	.402	2-207216-0
				OBSOLETE	NO	YES	8	.402	1-207216-9
					YES	NO	8	.851	1-207216-8
					NO	NO	7	.629	1-207216-7
					NO	NO	8	.402	1-207216-6
				OBSOLETE	NO	NO	7	.629	1-207216-4
				PRELIMINARY	NO	YES	3	.629	1-207216-3
				PRELIMINARY	NO	YES	3	.851	1-207216-2
					NO	YES	2	.402	1-207216-1
				OBSOLETE	NO	YES	2	.402	1-207216-0
				OBSOLETE	YES	NO	2	.851	207216-9
					NO	NO	3	.629	207216-8
				OBSOLETE	NO	YES	3	.629	207216-6
				OBSOLETE	NO	YES	2	.402	207216-3
					NO	NO	2	.402	207216-2
				OBSOLETE	NO	NO	2	.402	207216-1

THIS DRAWING IS A CONTROLLED DOCUMENT. DWN 5-22-91 J. GALLUCCI BG
 CHK 4-14-92 W.G. LENKER
 APVD 4-14-92 K. BEAVER
 PRODUCT SPEC 108-10024
 APPLICATION SPEC

TE TE Connectivity

RECEPTACLE ASSEMBLY, POSTED, RVS SEX, 17-28, SERIES 2, CPC

SIZE	CAGE CODE	DRAWING NO	RESTRICTED TO
A2	00779	C=207216	-
SCALE		SHEET	REV
2:1		1 of 1	AD4

CUSTOMER DRAWING