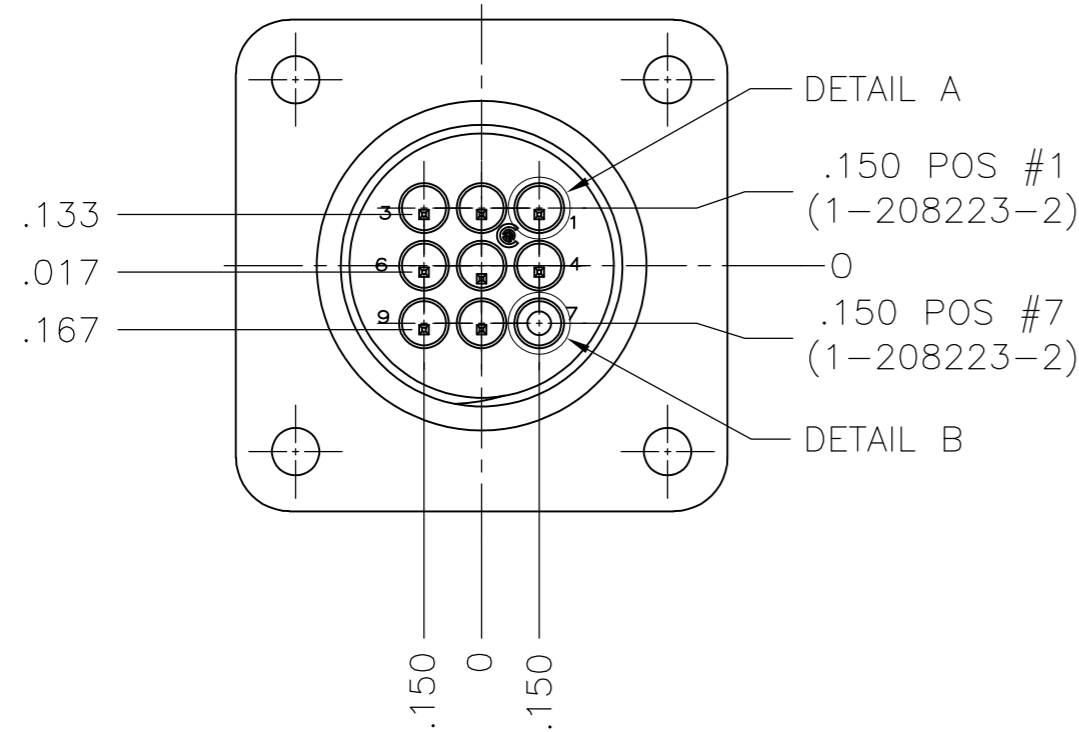
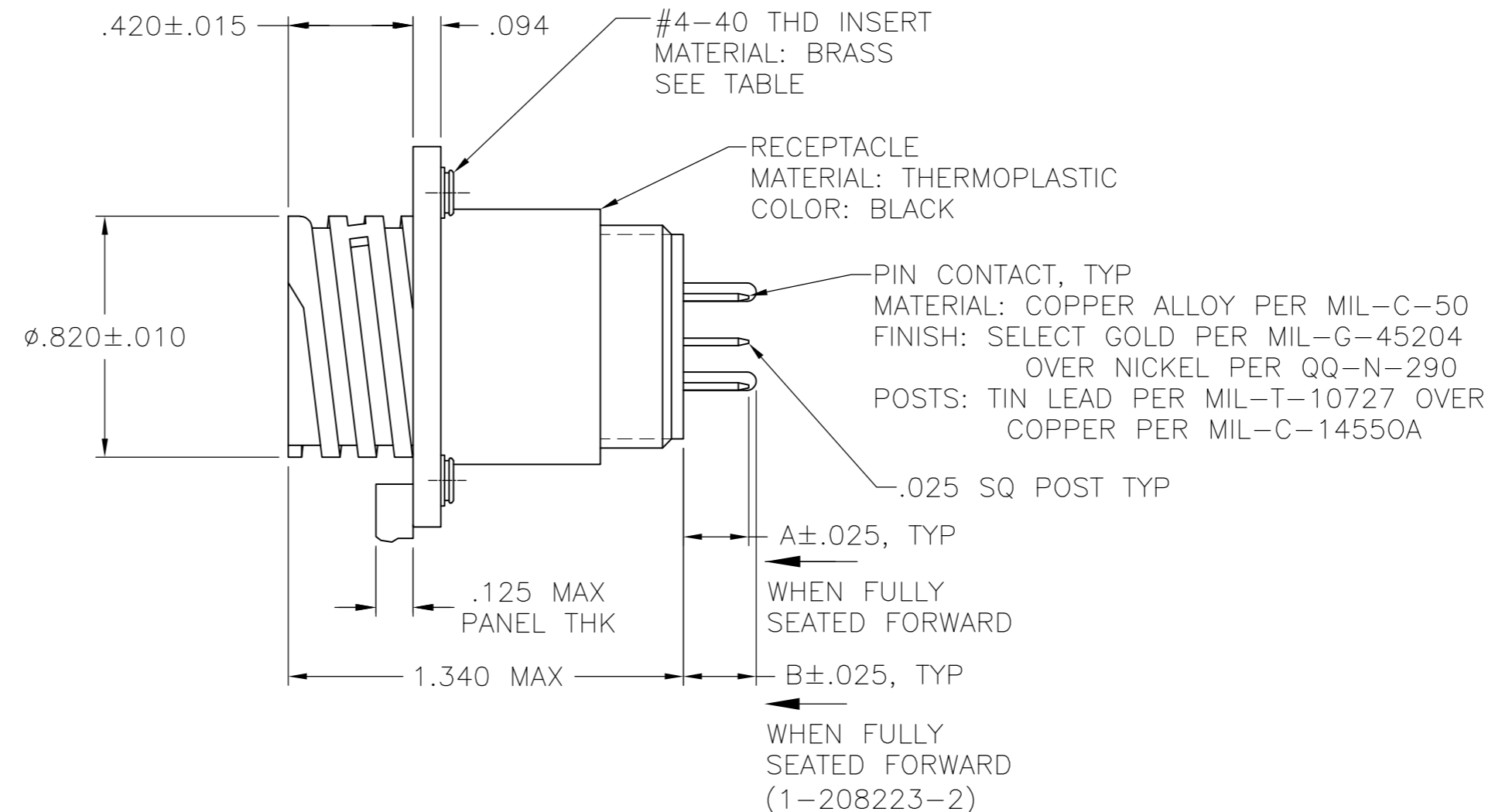
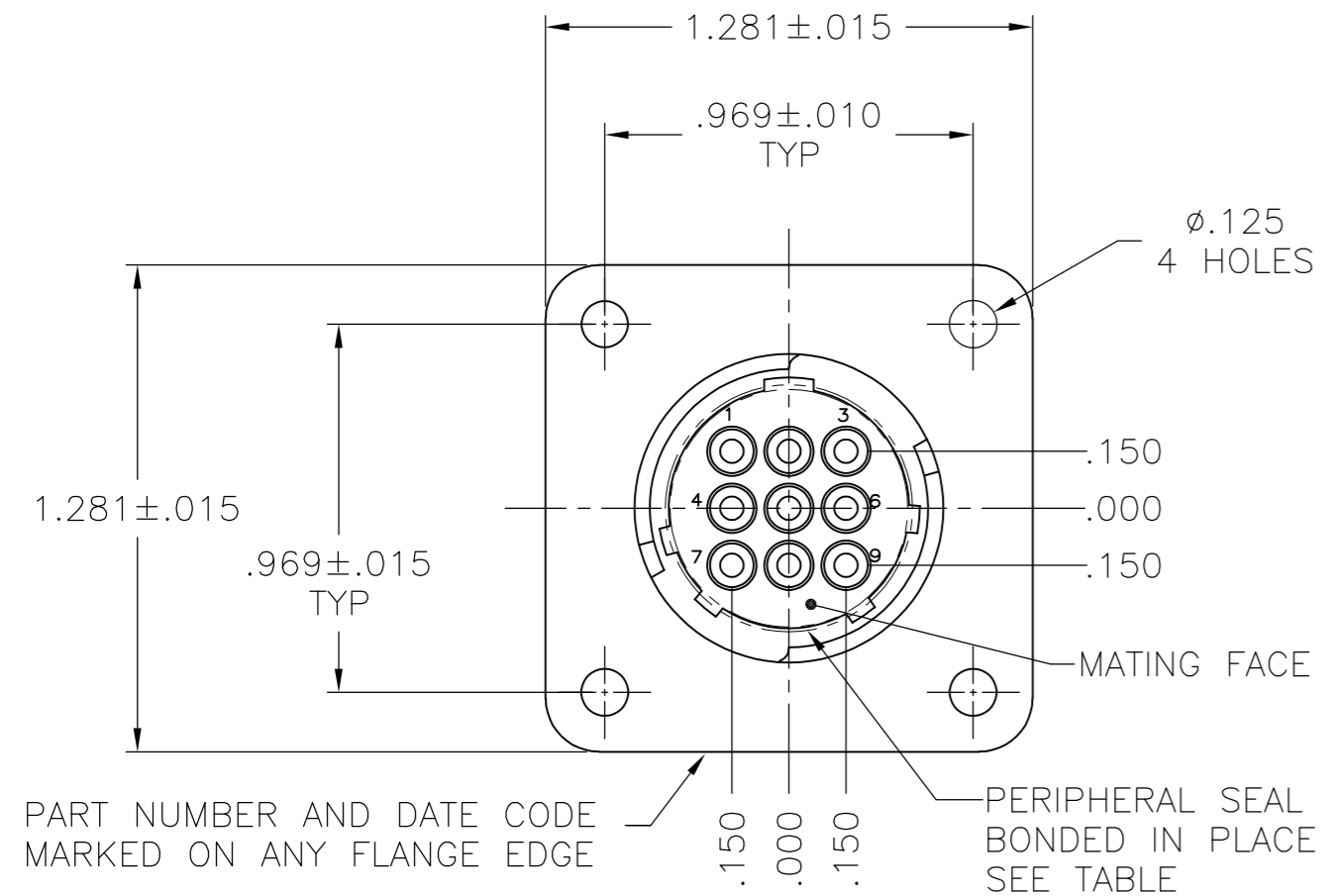
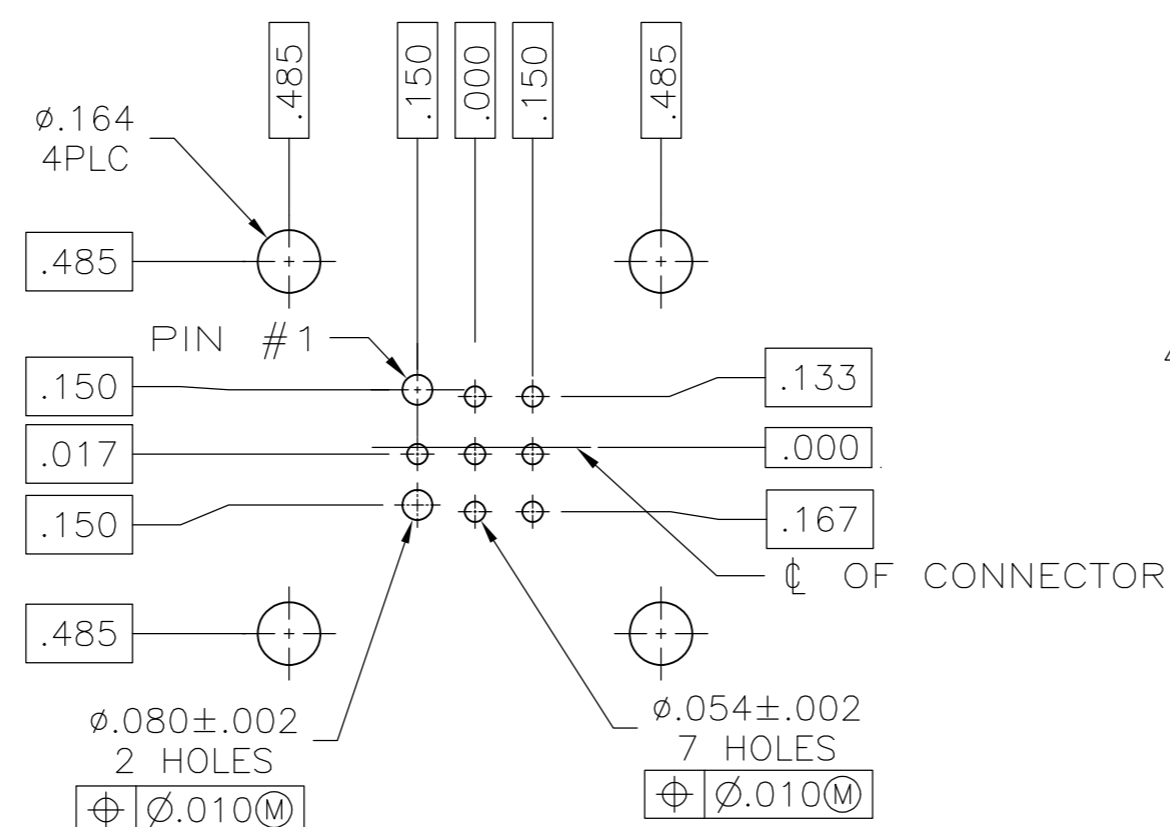
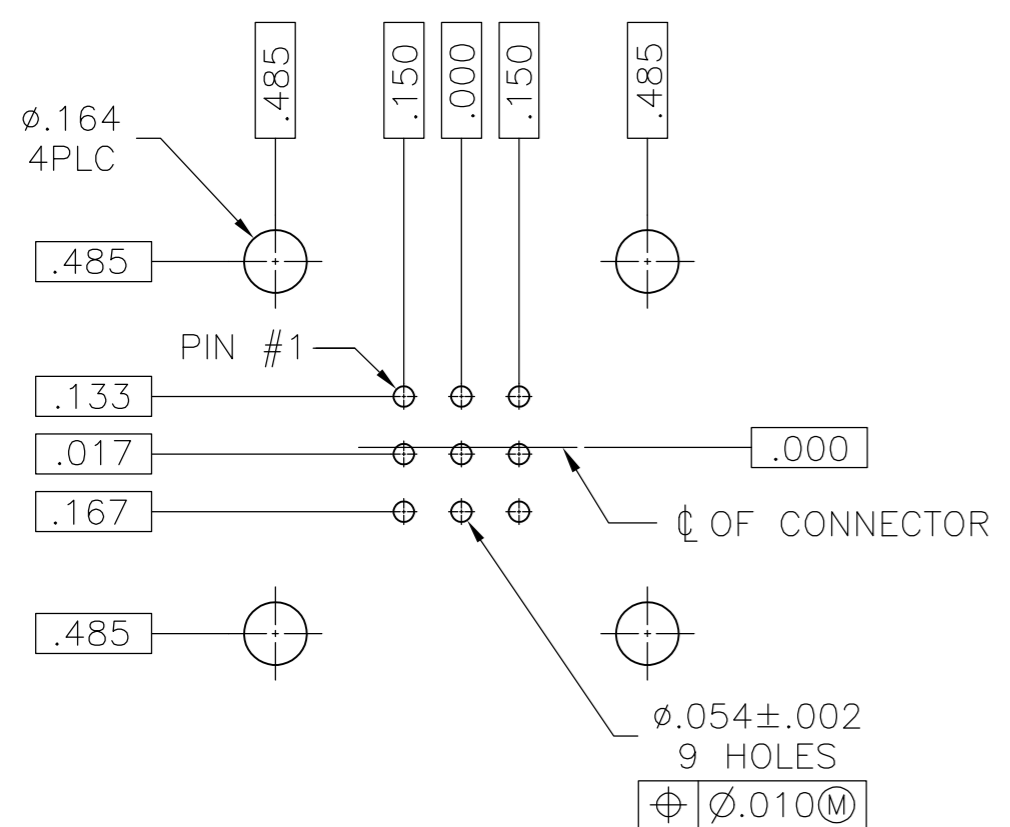


THIS DRAWING IS UNPUBLISHED. RELEASED FOR PUBLICATION  
 © COPYRIGHT - By - ALL RIGHTS RESERVED.

REVISIONS				
P	LTR	DESCRIPTION	DATE	APVD
U		REVISED PER ECO-16-009792	2JUL2016	NK MZ



- 1 1-66460-0 WILL BE SELECTIVELY LOADED INTO POSITIONS 2, 4, 6, 7, 9 AND 66464-3 WILL BE LOADED INTO POSITIONS 1, 3, 5, 8 OF THE HOUSING.
- 2 LOAD ALL POSITIONS EXCEPT POSITION NUMBER 4.
- 3 TIN PLATED CONTACTS.
- 4 194264-1 LOADED INTO POSITIONS 1 & 7.
- 5 OBSOLETE PARTS: OBSOLETE CIS STREAMLINING PER D.RENAUD/D.SINISI.
- 6 PRELIMINARY PART.



PLC	THREADED INSERTS	PERIPHERAL SEAL	PART NUMBER
6	-.130	YES	1-208223-3
4	.245	NO	1-208223-2
3	-.220	YES	1-208223-1
3	-.220	NO	1-208223-0
3	-.220	NO	208223-9
6	-.220	YES	208223-8
6	-.220	NO	208223-7
6	-.618	NO	208223-6
5	OBSOLETE	YES	208223-5
6	-.220	NO	208223-4
	-.220	NO	208223-3
	OBSOLETE	NO	208223-2
	-.220	NO	208223-1

THIS DRAWING IS A CONTROLLED DOCUMENT. DWN R.LEE BG 6-22-91  
 CHK W.G.LENKER 4-14-92  
 APVD -

DIMENSIONS: INCHES TOLERANCES UNLESS OTHERWISE SPECIFIED:  
 0 PLC ± -  
 1 PLC ± -  
 2 PLC ± -  
 3 PLC ± .005  
 4 PLC ± -  
 ANGLES ± -

MATERIAL: SEE CALLOUT FINISH: SEE CALLOUT

PRODUCT SPEC: 108-10024  
 APPLICATION SPEC: -

WEIGHT: -

CUSTOMER DRAWING

TE Connectivity  
 RECEPTACLE ASSEMBLY, POSTED, STD SEX, SERIES 1, 13-9, CPC

SIZE: A2 CAGE CODE: 00779 DRAWING NO: C-208223 RESTRICTED TO: -  
 SCALE: 2:1 SHEET: 1 of 1 REV: U