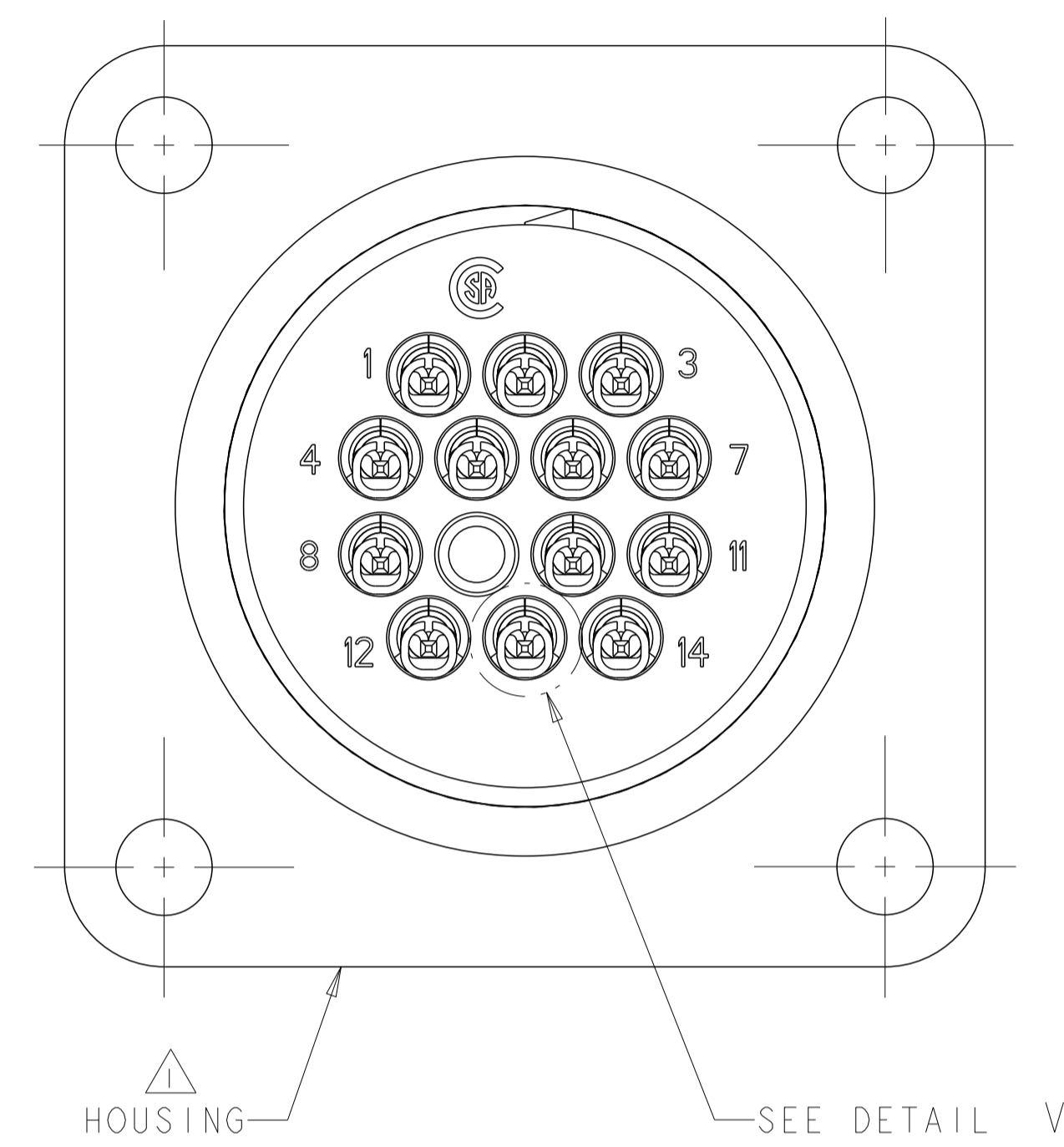
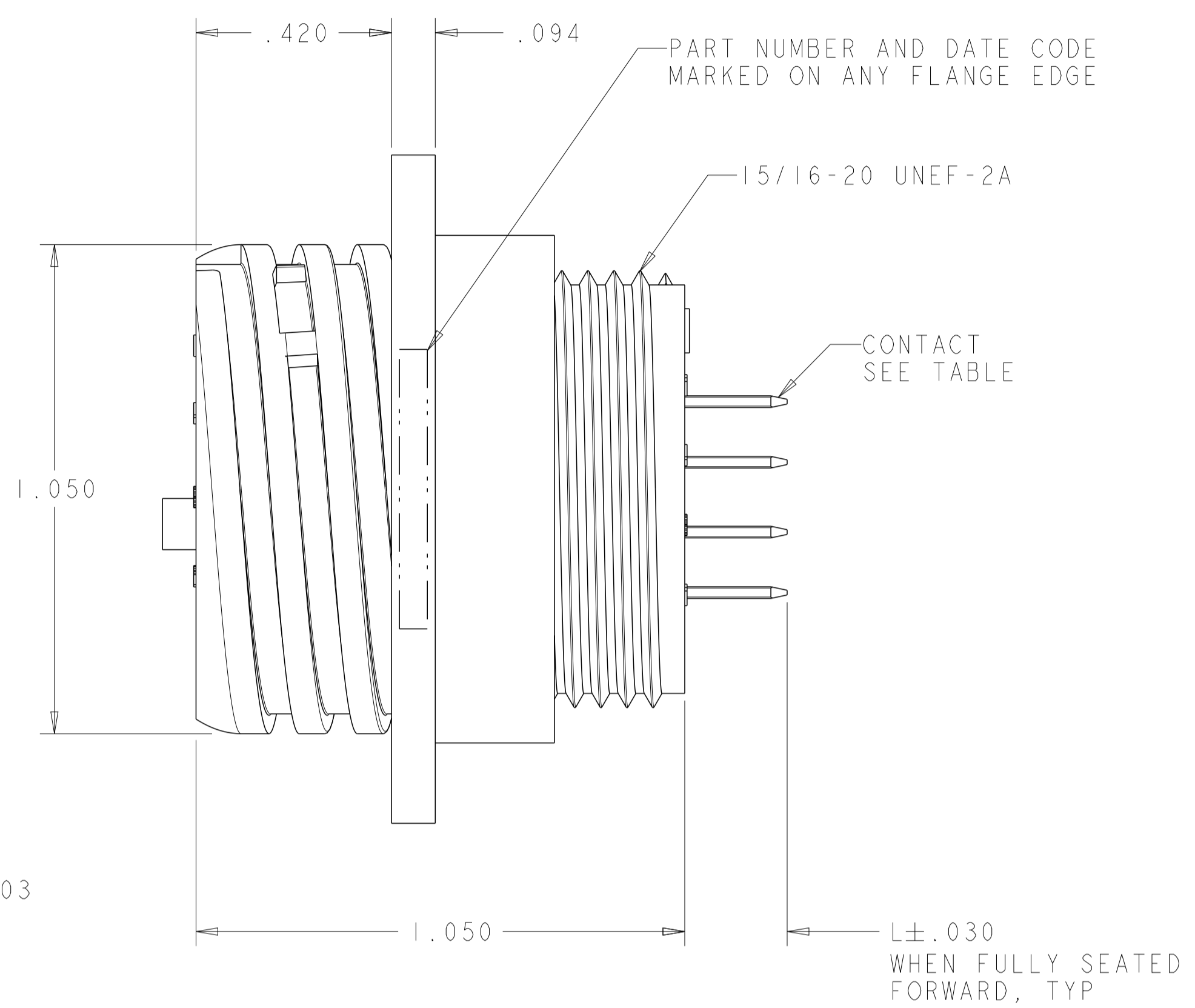
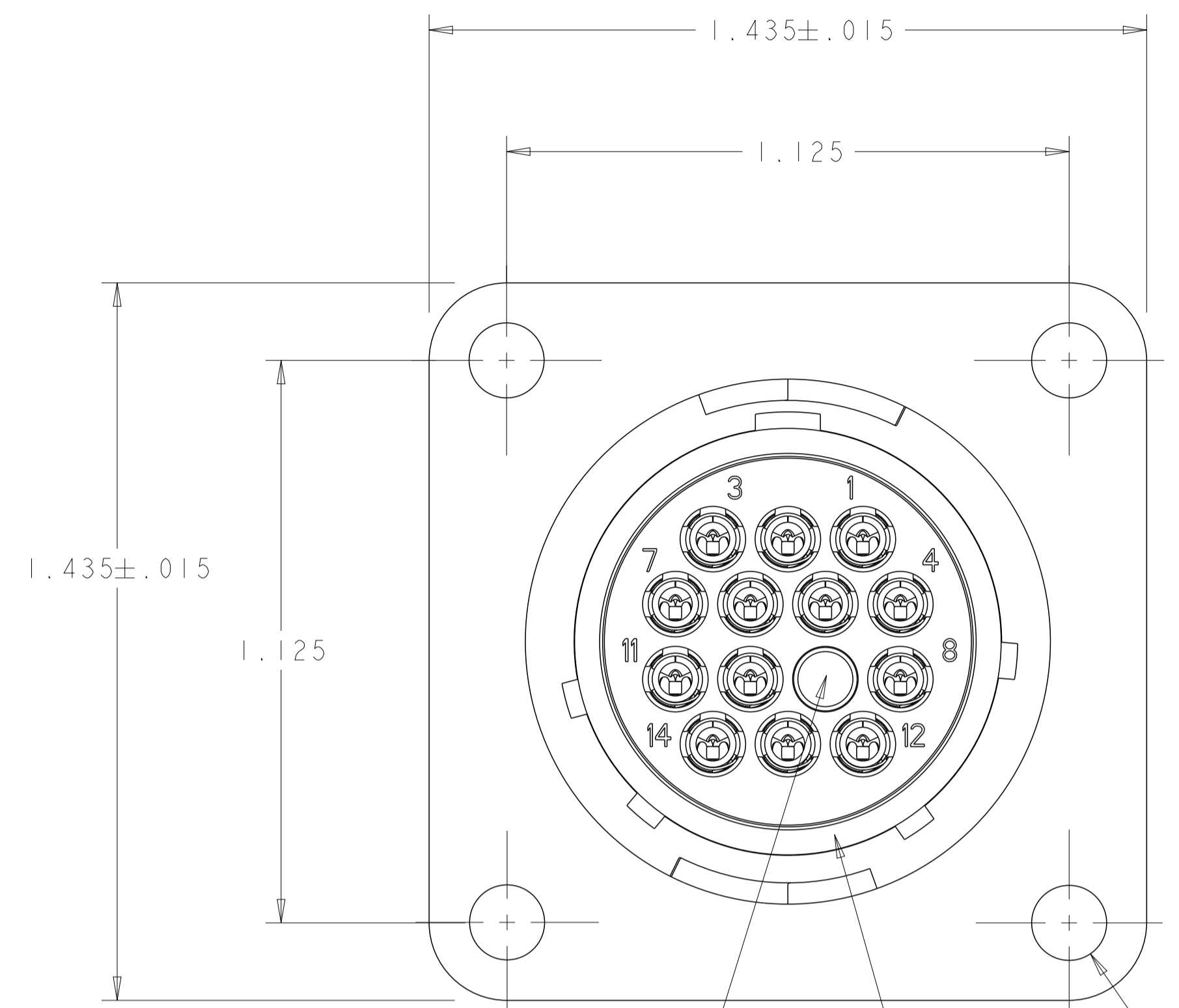
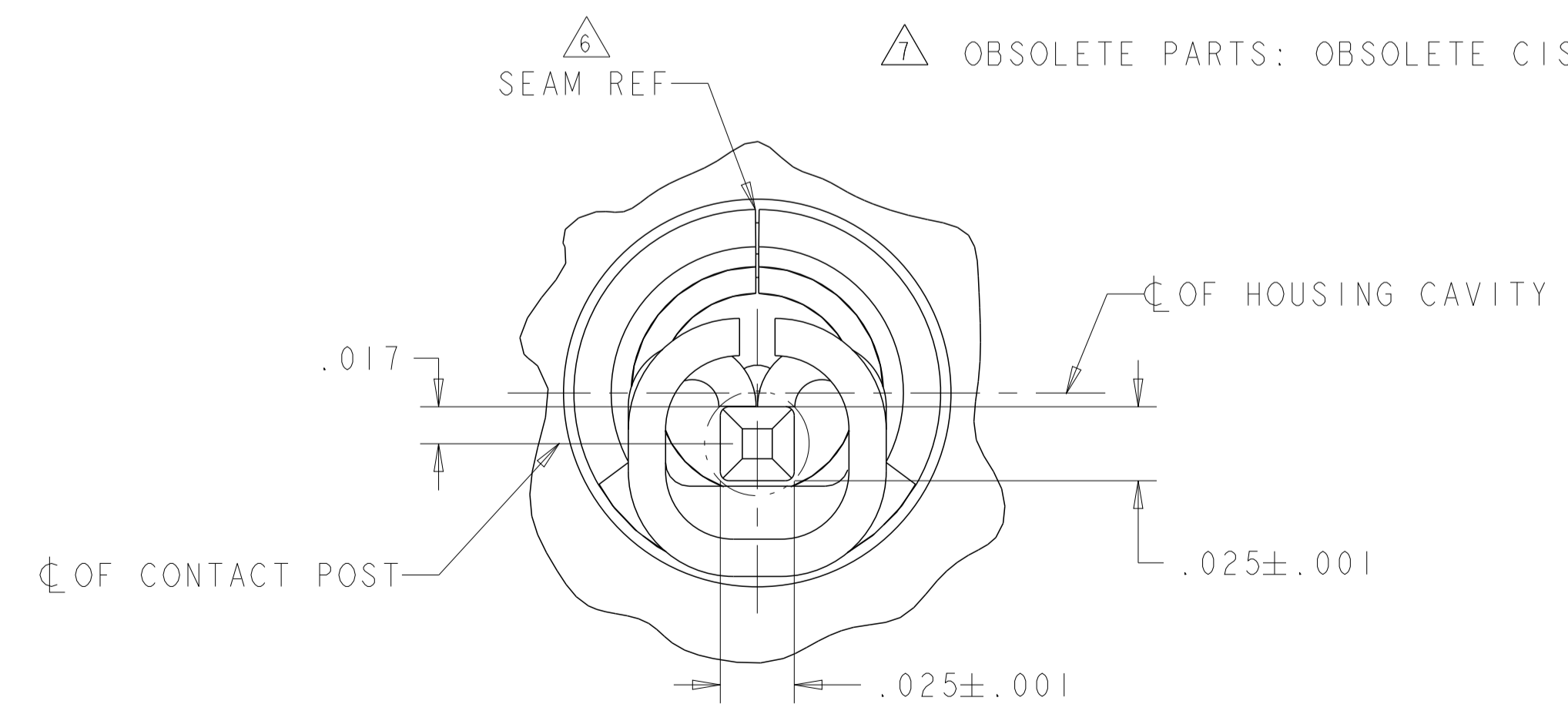


REVISIONS				
P	LTN	DESCRIPTION	DATE	OWN APVD
R1		REVISED PER ECO-16-004800	10SEP2016	NK MZ



KEYING PLUG SEE TABLE
 PERIPHERAL SEAL SEE TABLE
 $\varnothing .150 \pm .003$ 4 PLC

- 1 HOUSING: NYLON, UL 94 V-0 RATED, BLACK.
- 2 CONTACT:
 BODY - BRASS, .000100 MIN TIN-LEAD OVER .000050 MIN NICKEL.
 POST - BRASS, .000100 MIN TIN-LEAD OVER .000050 MIN NICKEL.
- 3 CONTACT:
 BODY - BRASS, .000100 MIN TIN OVER .000050 MIN NICKEL.
 POST - BRASS, .000100 MIN TIN OVER .000050 MIN NICKEL.
- 4 PERIPHERAL SEAL: ELASTOMER, GRAY.
- 5 KEYING PLUG: NYLON, NATURAL.
- 6 .009 MAXIMUM CONTACT LEAD-IN SEAM GAP PERMISSIBLE ON MATING FACE END.
- 7 OBSOLETE PARTS: OBSOLETE CIS STREAMLINING PER D.RENAUD/D.SINISI



DETAIL V
 SCALE 20:1

STATUS	L	KEYING PLUG	PERIPHERAL SEAL	FINISH	QTY	SELECT LOAD IN POSITIONS	PART NUMBER
OBSOLETE				3	13	1-5, 7-14	213825-8
				3	14	ALL	1-213825-7
OBSOLETE				3	11	1, 3, 4, 6, 8-14	213825-6
				3	13	1-8, 10-14	213825-5
OBSOLETE				3	13	1-5, 7-14	213825-4
				2	12	1, 2, 4, 5, 7-14	213825-3
				2	13	1-8, 10-14	1-213825-2
OBSOLETE				2	13	1-5, 7-14	213825-1
				2	13	1-5, 7-14	1-213825-0
				2	11	1, 3, 4, 6, 8-14	213825-9
OBSOLETE				2	13	1-8, 10-14	213825-5
OBSOLETE				2	13	1-5, 7-14	213825-4
OBSOLETE				2	13	1-5, 7-14	213825-3
				2	11	1, 3, 4, 6, 8-14	213825-2
				2	14	ALL	213825-1

THIS DRAWING IS A CONTROLLED DOCUMENT. OWN: S. WELDON 23MAY2003
 CH: S. HEADER 23MAY2003
 S. HEADER 23MAY2003
 APVD: S. HEADER 23MAY2003

DIMENSIONS: INCHES
 TOLERANCES UNLESS OTHERWISE SPECIFIED:
 0 PLC ±0
 1 PLC ±0
 2 PLC ±0
 3 PLC ±0.010
 4 PLC ±0
 ANGLES ±0

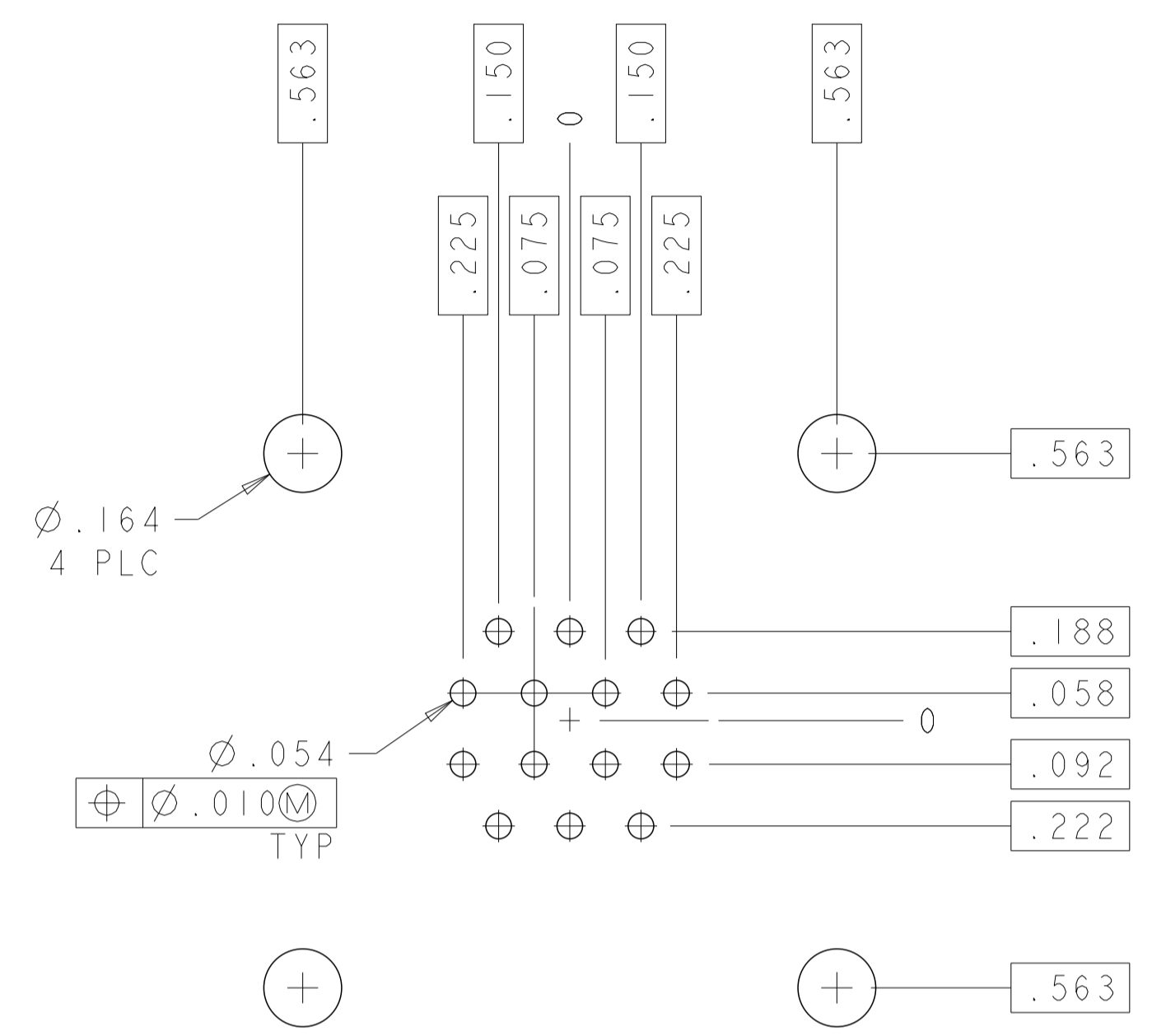
MATERIAL: -
 FINISH: -

WEIGHT: -
 CUSTOMER DRAWING

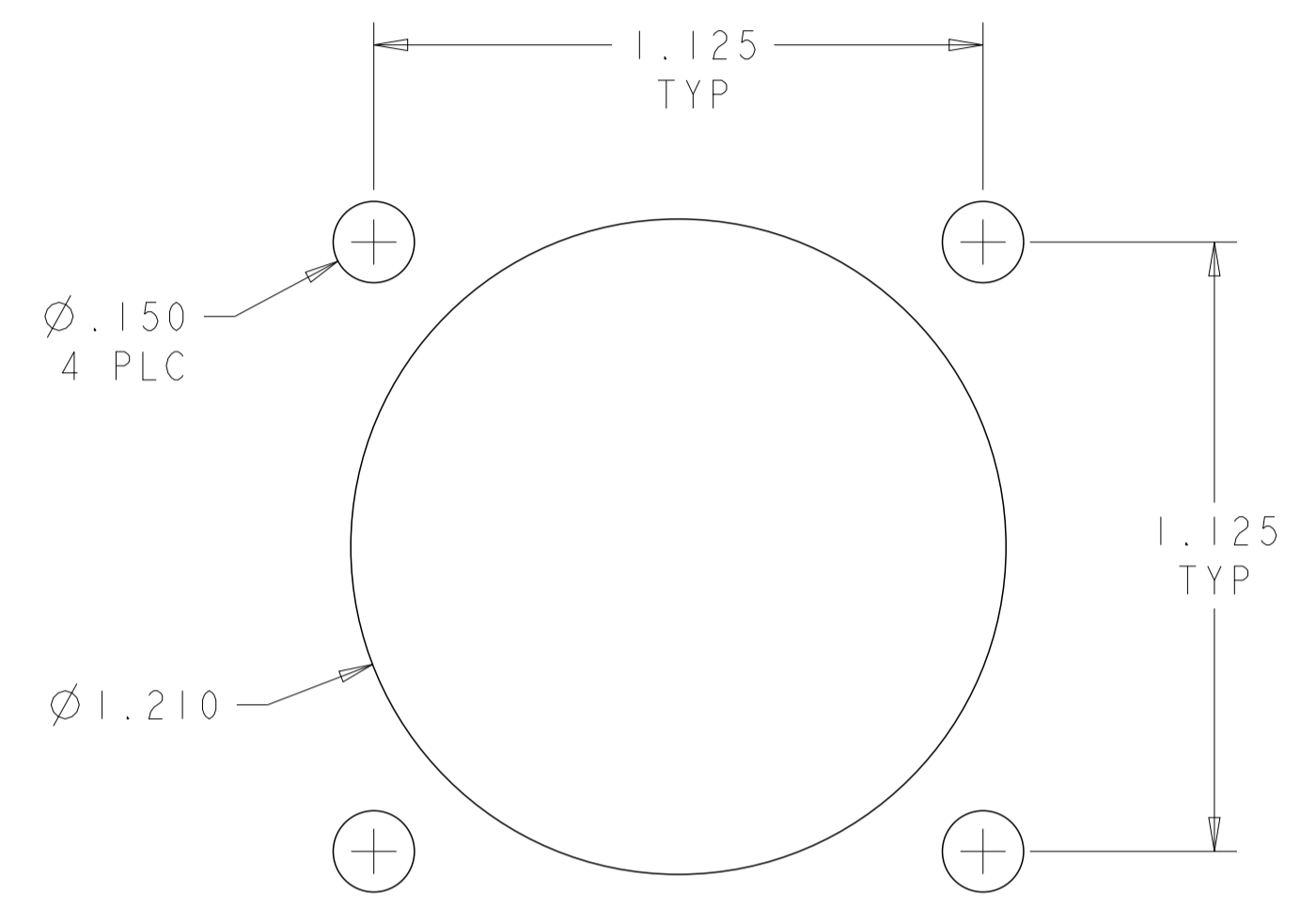
NAME: RECEPTACLE ASSEMBLY, POSTED, SERIES 1, REVERSE SEX, CPC
 SIZE: A1
 CAGE CODE: 00779
 DRAWING NO: 213825
 SCALE: 4:1
 SHEET: 1 OF 2
 REV: R1

TE Connectivity

REVISIONS				
P	LTN	DESCRIPTION	DATE	APVD
-		SEE SHEET 1	-	-



RECOMMENDED PC BOARD LAYOUT
 SCALE 3:1



RECOMMENDED PANEL LAYOUT
 .125 MAX PANEL THICKNESS
 SCALE 3:1

THIS DRAWING IS A CONTROLLED DOCUMENT.		DWN S. WELDON 23MAY2003	TE Connectivity
DIMENSIONS: INCHES		CHK S. HEADER 23MAY2003	
TOLERANCES UNLESS OTHERWISE SPECIFIED: 0 PLC ±.0 1 PLC ±.0 2 PLC ±.0 3 PLC ±.010 4 PLC ±.0 ANGLES ±.0 FINISH -		APVD S. HEADER 23MAY2003	NAME RECEPTACLE ASSEMBLY, POSTED, SERIES 1, REVERSE SEX, CPC
MATERIAL	-	WEIGHT	SIZE CAGE CODE DRAWING NO A100779C=213825
CUSTOMER DRAWING		SCALE 4:1	RESTRICTED TO SHEET 2 OF 2 REV R1