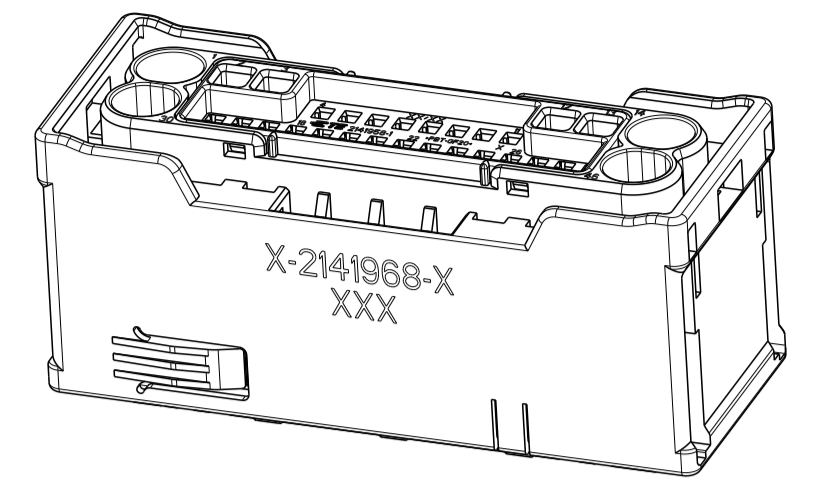
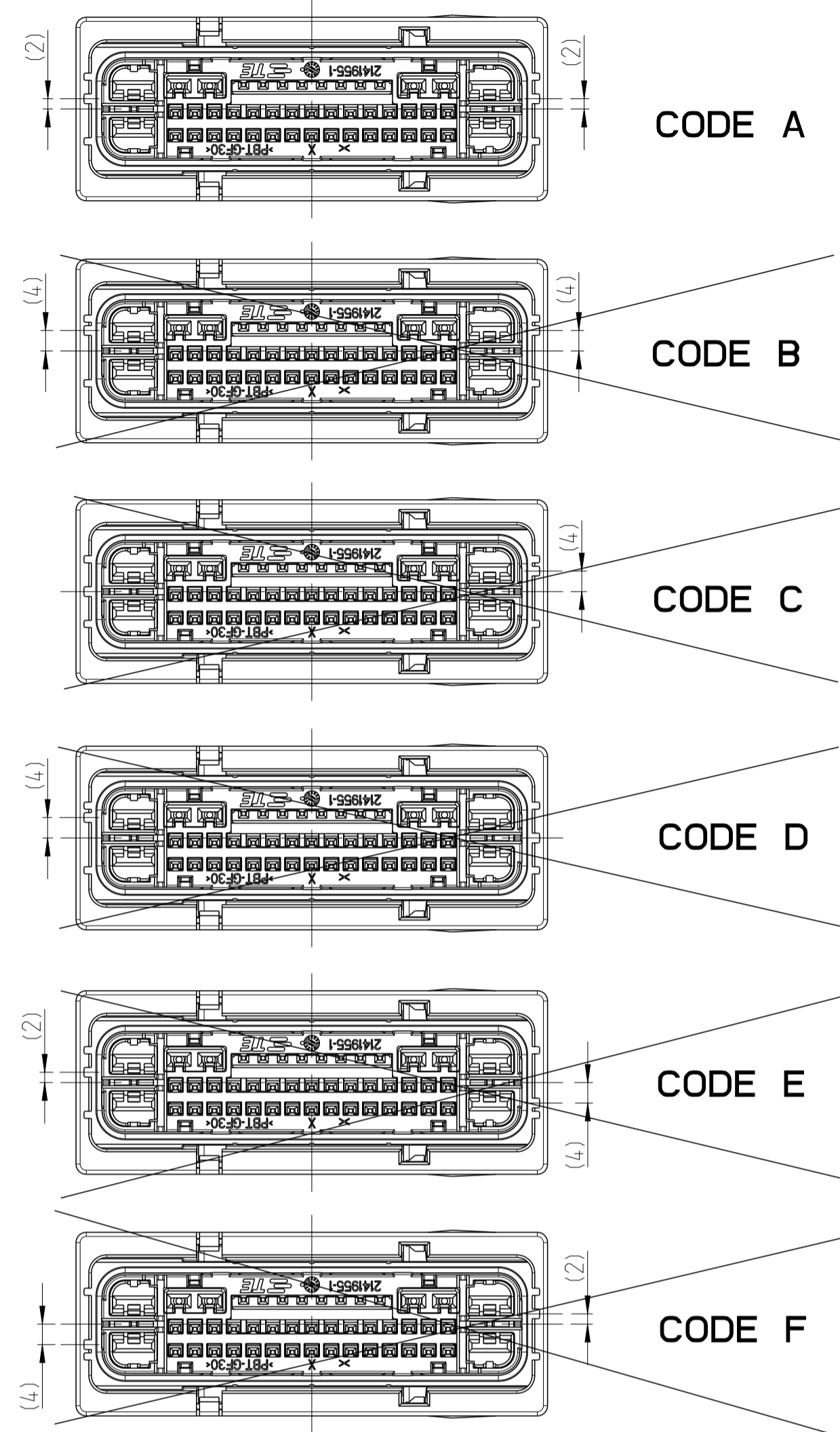
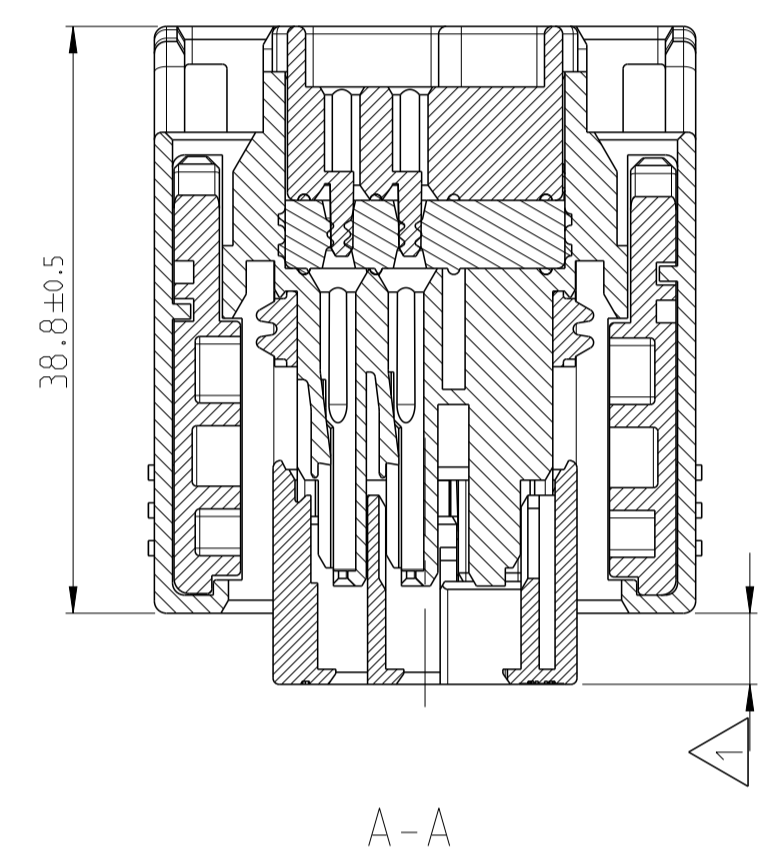


CODING OPTIONS

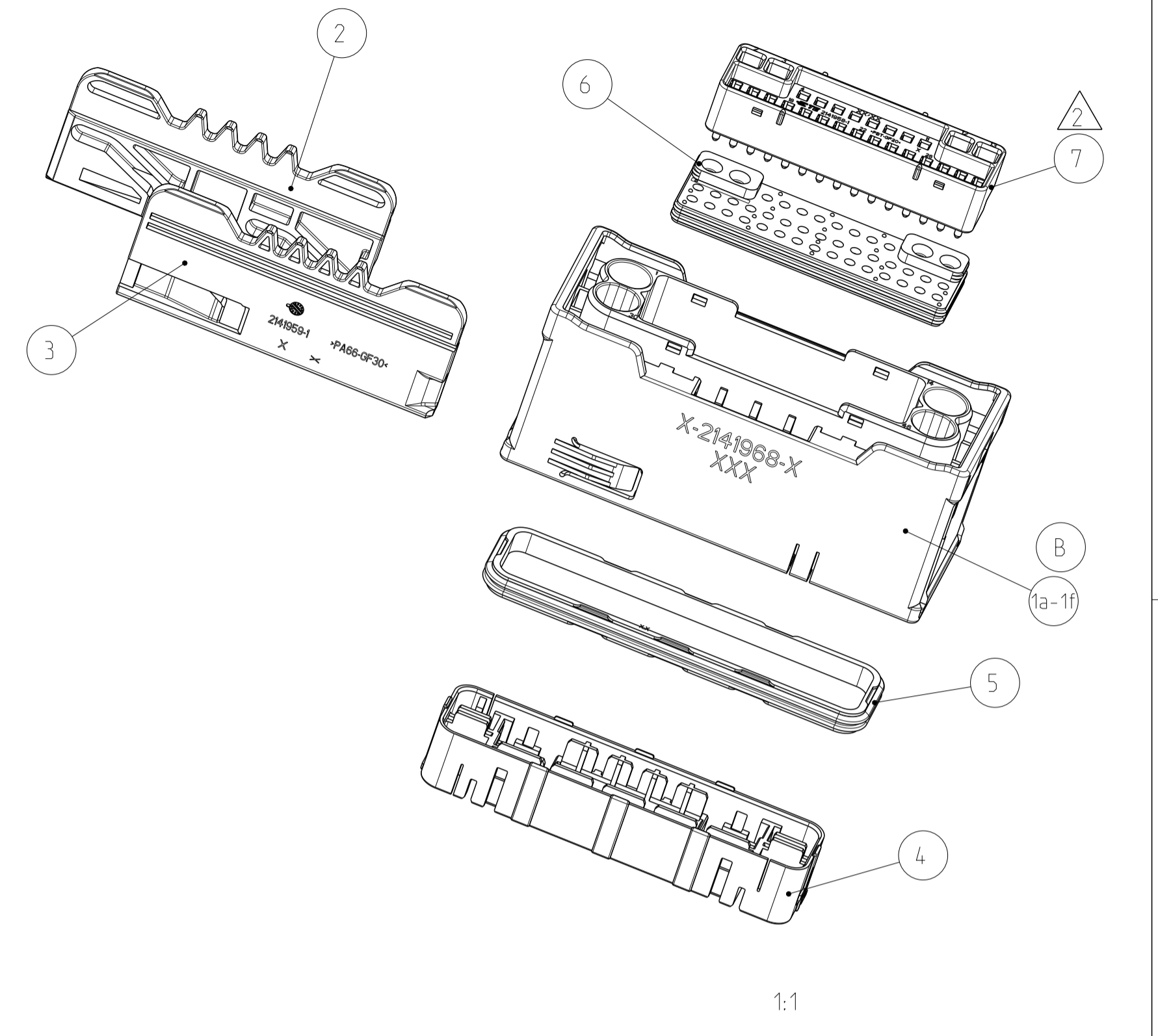
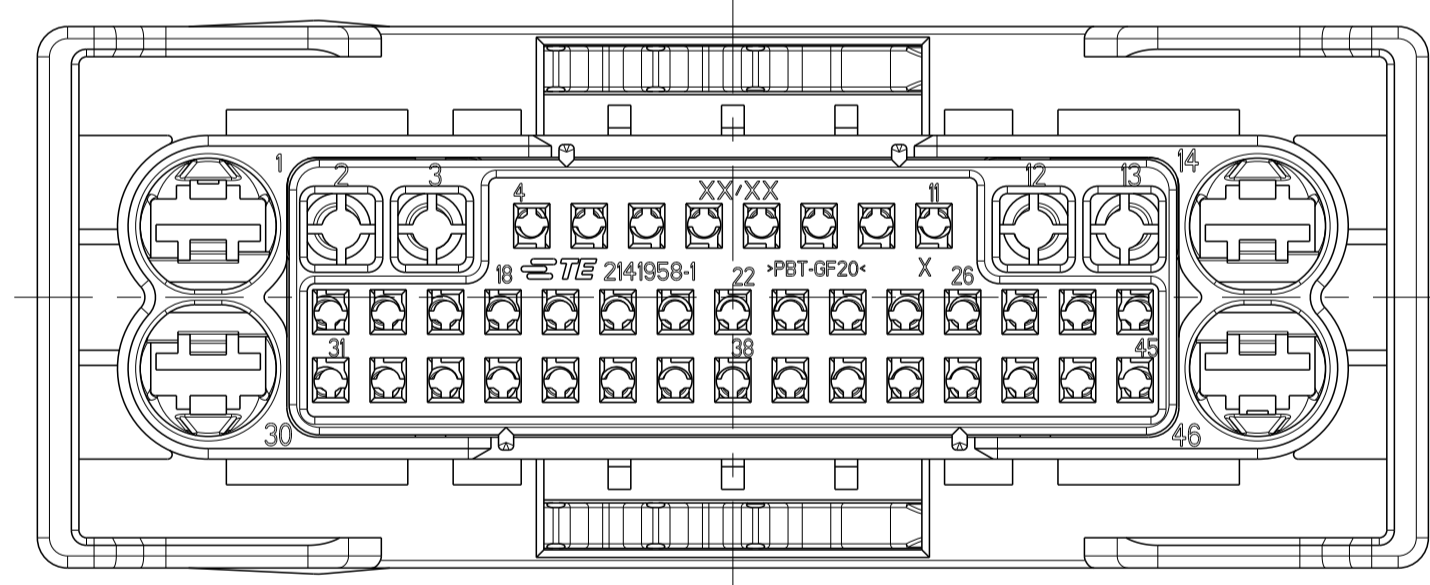
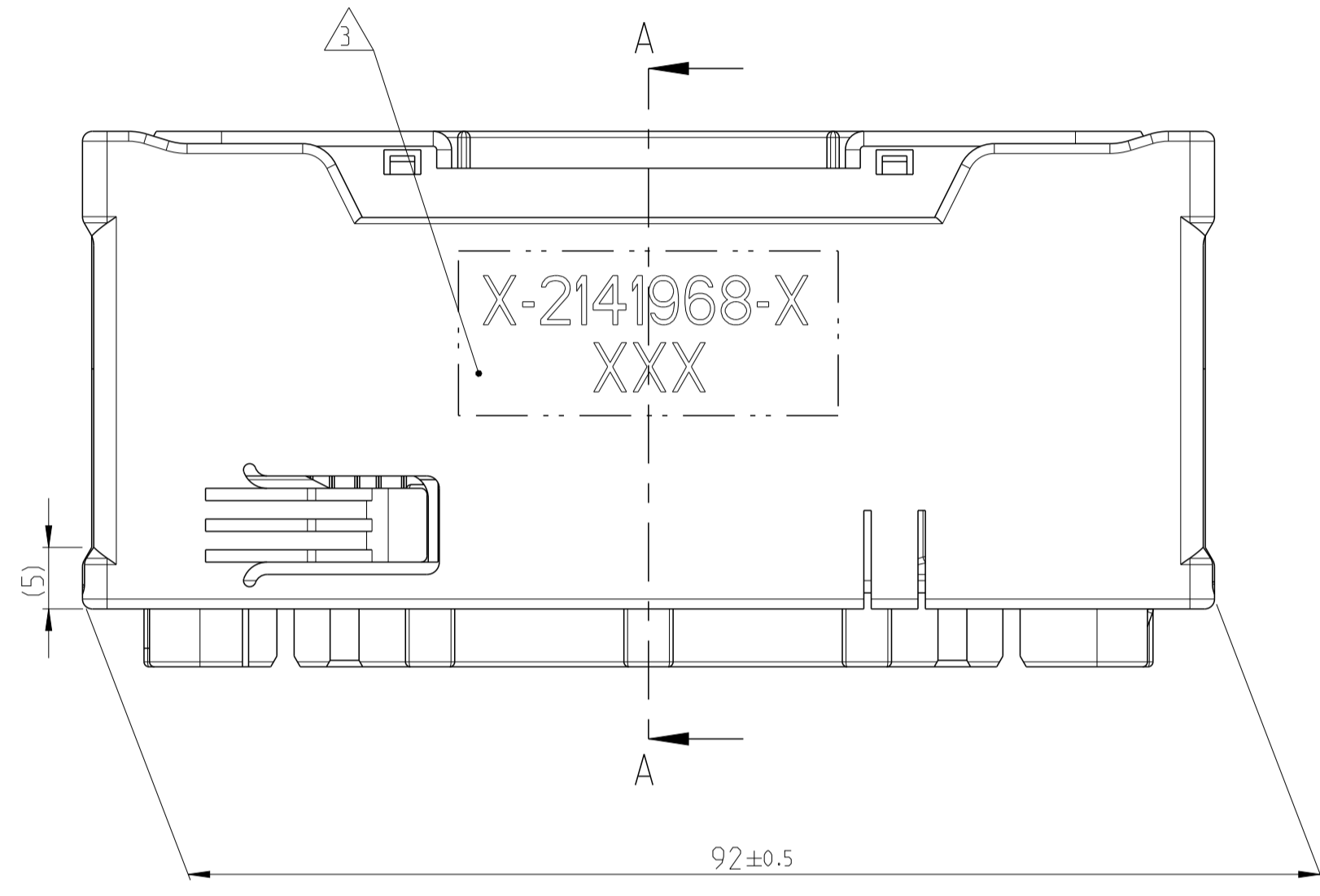
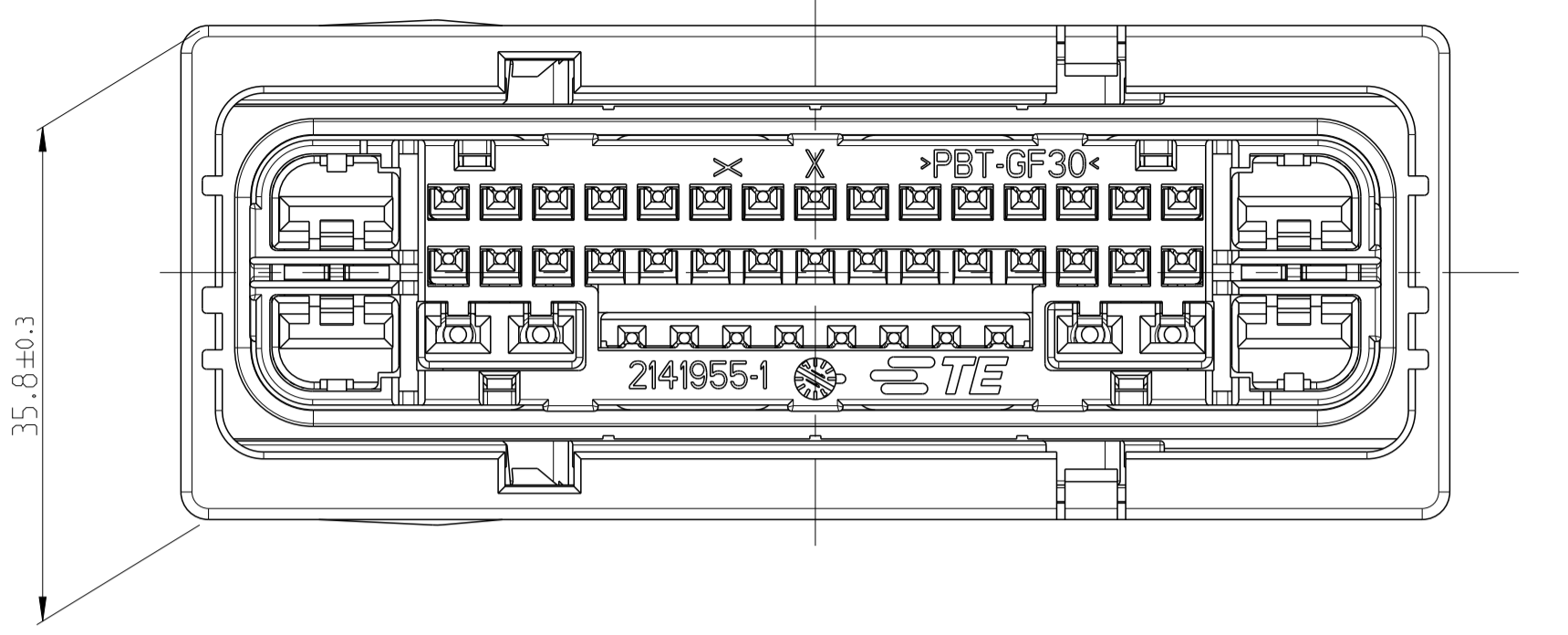
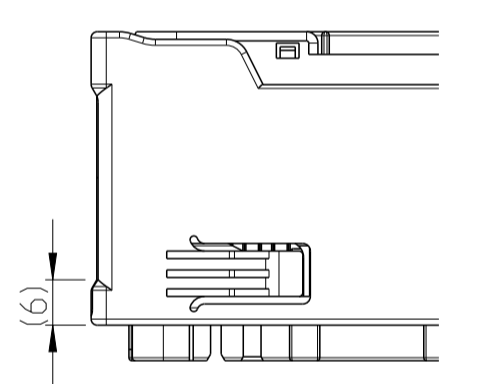
1:1



1:1



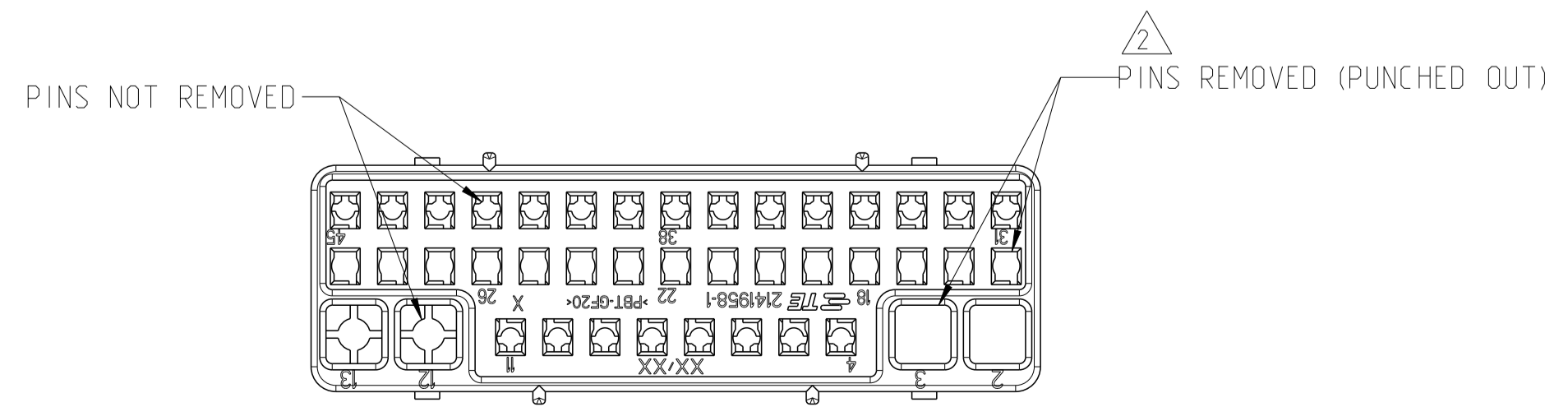
OPTIONAL



LOC	DIST	REVISIONS					
A1	-	P	LTN	DESCRIPTION	DATE	OWN	APVD
		B8		SEE PCN E-15-008042	27MAY2015	JR	HR
		B9		SEE PCN E-16-001654	05FEB2016	SRN	GH
		B10		SEE PCN E-16-007598	24MAY2016	SH	PT
		B11		SEE PCN E-16-015029	25OCT2016	BF	GH

APPLICABLE COMPONENTS BOX							
DESCRIPTION	PLATING / COLOUR	SUPPLIER	SUPPLIER PART NO. (WIRE SIZE)	TE APPL. SPEC. TE PROD. SPEC.	APPL. CONTACT CAVITY NUMBER		
0.64 GENERATION Y UNSEALED FEMALE TERMINAL	TIN	TE	2098753-6	114-13183	4-11, 15-29, 31-45		
0.64 GENERATION Y UNSEALED FEMALE TERMINAL	TIN	TE	2098753-5	114-13183	4-11, 15-29, 31-45		
2.8 UNSEALED FEMALE TERMINAL	TIN	FCI	54002231 (AWG 22)	-	2, 3, 12, 13		
2.8 UNSEALED FEMALE TERMINAL	TIN	FCI	54001431 (AWG 14)	-	2, 3, 12, 13		
2.8 UNSEALED FEMALE TERMINAL	TIN	FCI	54001839 (AWG 18)	-	2, 3, 12, 13		
6.3 SEALED FEMALE TERMINAL	TIN	YAZAKI	7116-4140-02 (0.5-1.0mm ²)	-	1, 14, 30, 46		
6.3 SEALED FEMALE TERMINAL	TIN	YAZAKI	7116-4141-02 (1.5mm ²)	-	1, 14, 30, 46		
6.3 SEALED FEMALE TERMINAL	TIN	YAZAKI	7116-4142-02 (2.5-4.0mm ²)	-	1, 14, 30, 46		
6.3 SEALED FEMALE TERMINAL	TIN	YAZAKI	7116-4143-02 (AWG 10)	-	1, 14, 30, 46		
WIRE SEAL FOR 6.3 TERMINAL (SMALL)	RED	YAZAKI	7158-3081-50	-	-		
WIRE SEAL FOR 6.3 TERMINAL (MEDIUM)	BLUE	YAZAKI	7158-3082-90	-	-		
WIRE SEAL FOR 6.3 TERMINAL (LARGE)	BLACK	YAZAKI	7158-3083	-	-		
WIRE SEAL FOR 6.3 TERMINAL (X-LARGE)	LIGHT GREY	YAZAKI	X39858-AA00	-	-		
PLUG FOR 6.3 TERMINAL	GREEN	YAZAKI	7158-3080-60	-	1, 14, 30, 46		
WIRE COVER	BLACK	TE	2141969-17-2	114-94044	-		

MAT SEAL COVER PINOUT CONFIGURATION EXAMPLE



NOTES BEMERKUNGEN

- 1 DELIVERY CONDITION: SPACER (TPA) IN PRE-LOCK POSITION
- 2 APPROPRIATE PINOUT CONFIGURATION OF THE MAT SEAL COVER ACC. TABLE ON SHEET 2 TO BE PUNCHED OUT BEFORE ASSEMBLING THE MAT SEAL COVER
- 3 A THREE DIGIT MARKING AND THE TE CONNECTIVITY PART NUMBER ACC. PINOUT TABLE ON SHEET 2 LOCATED ON THE SIDE OF THE FEMALE HOUSING
- 4 PART MUST MATE WITH TE CONNECTIVITY INTERFACE SPECIFICATION 114-94025
- 5 SEALING FUNCTION OF THE MAT SEAL REQUIRES THE FOLLOWING WIRE SIZE DIMENSIONS:
 0.5mm²-0.75mm² WITH CABLE OUTER DIAMETER 1.4-1.9mm FOR 0.64mm GENERATION Y SIGNAL TERMINALS
 1.0mm²-2.5mm² WITH CABLE OUTER DIAMETER 1.9-3.0mm FOR FCI APEX 2.8mm POWER TERMINALS
- 6 ONLY FOR INFORMATION. CHECK LATEST REVISION OF THE SUPPLIER SPECIFICATION FOR TERMINAL PROPERTIES
- 7 MATING INTERFACE ACCORDING TE SPECIFICATION 114-94025
- 8 OPTIONAL DIMENSIONS CAN BE 5mm and 6mm

QTY	DESCRIPTION	COLOR	ITEM NO.
1	MAT SEAL COVER	BLACK	7
1	MAT SEAL	LIGHT BLUE	6
1	PERIPHERAL SEAL	LIGHT BLUE	5
1	SPACER (TPA)	RED	4
1	SLIDER LEFT	BLACK	3
1	SLIDER RIGHT	BLACK	2
1	HOUSING, CODE F	BLACK	1f
1	HOUSING, CODE E	BLACK	1e
1	HOUSING, CODE D	BLACK	1d
1	HOUSING, CODE C	BLACK	1c
1	HOUSING, CODE B	BLACK	1b
1	HOUSING, CODE A	BLACK	1a
1	X-2141968-X	BLACK	1
-	SEE SHEET 2	REVISION OF EACH ASSEMBLY NUMBER	ITEM NO.
85	WEIGHT OF EACH ASSEMBLY NUMBER (g)		

THIS DRAWING IS A CONTROLLED DOCUMENT. OWN: G. HQIEA 25MAY2011, CHG: H. RIPPER 25MAY2011, APVD: G. MUMPER 25MAY2011

TE Connectivity

ASSEMBLY 46WAY ABS CONNECTOR

APPLICABLE SPEC: 114-94044, WEIGHT: 85g

Customer Drawing, SCALE: 5:1, SHEET 1 OF 2, REV: B11

