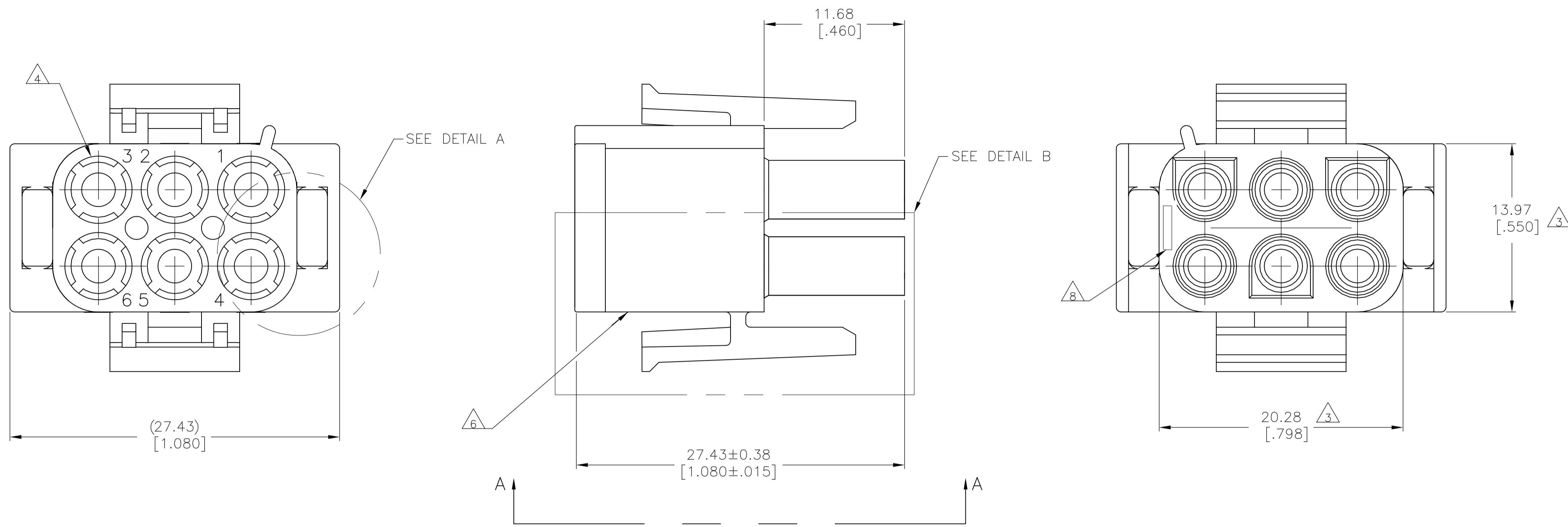
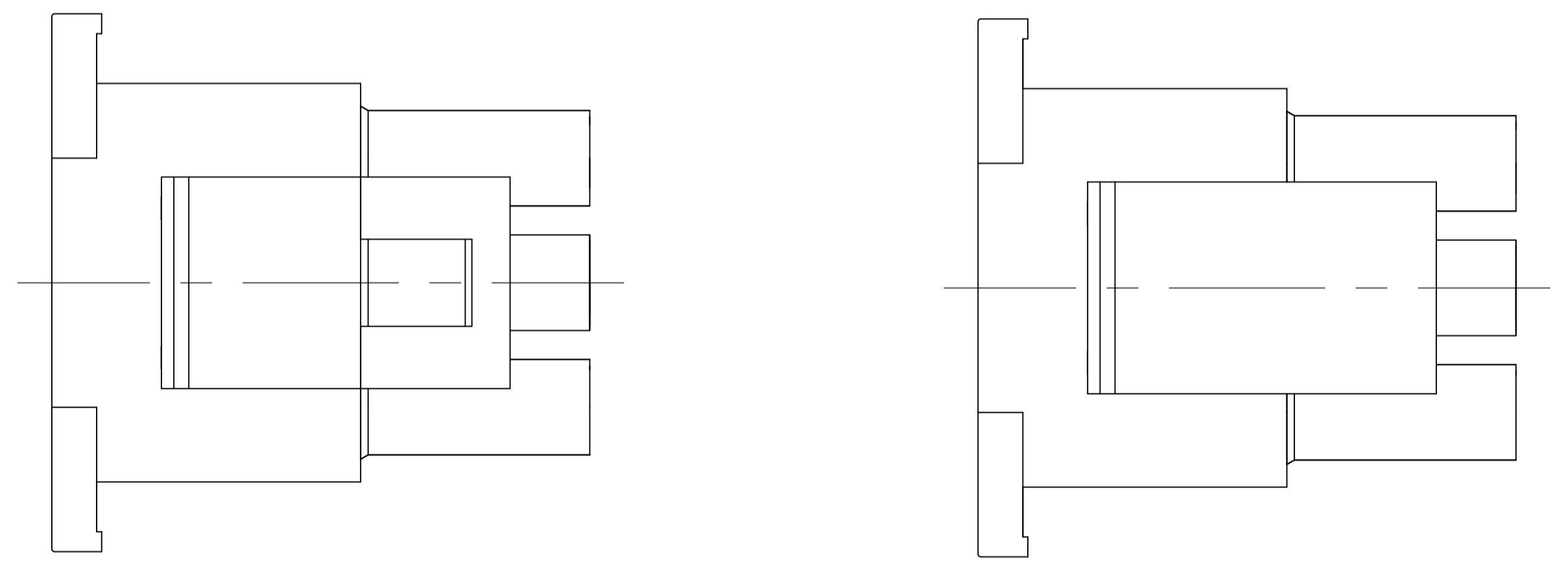


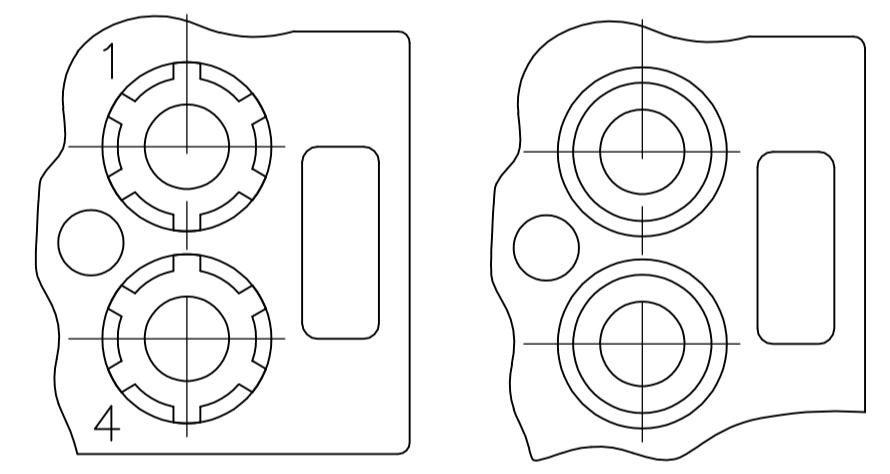
REVISIONS					
P	LTR	DESCRIPTION	DATE	DMN	APVD
Y5	REVISED PER	ECO-17-001089	25JAN2017	RS	KR



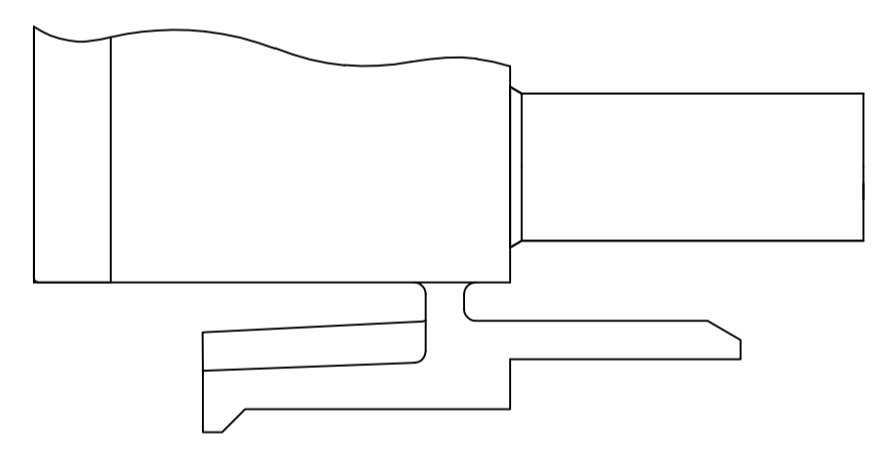
- 1 MATES WITH APPROPRIATE UNIVERSAL MATE-N-LOK CAP OR HEADER.
- 2 SMALL NICKS ARE PERMITTED ON THE CIRCUIT TOWERS WHICH COULD INCREASE THE INITIAL HOUSING MATING FORCE BY UP TO 4.4 NEWTONS [1.0 LBS]. NO INDIVIDUAL NICKED TOWER SHALL INCREASE THIS FORCE BY OVER 2.2 NEWTONS [.5 LBS].
- 3 DIMENSION INDICATED IS AS MOLDED. ADDITIONAL GROWTH DUE TO SUBSEQUENT MOISTURE ABSORPTION MAY OCCUR.
- 4 FOUR RIBS EQUALLY SPACED, NO SPECIFIC ORIENTATION. NO RIBS OR SIX RIBS EQUALLY SPACED, NO SPECIFIC ORIENTATION, OPTIONAL.
- 5 NOT MANUFACTURED IN THE US. NATURAL COLOR OF 350715-4 MAY DIFFER FROM 350715-1 VERSION
- 6 UNDERWRITERS RECOGNIZED COMPONENT LOGO AND CSA CERTIFICATION LOGO TO BE LOCATED ONCE EACH ON SIDE OF HOUSING.
- 7 MANUFACTURING LOCATION ID ON SIDE OF HOUSING (OPTIONAL).
- 8 TRADEMARK LOCATION (AMP OR TE CONNECTIVITY).



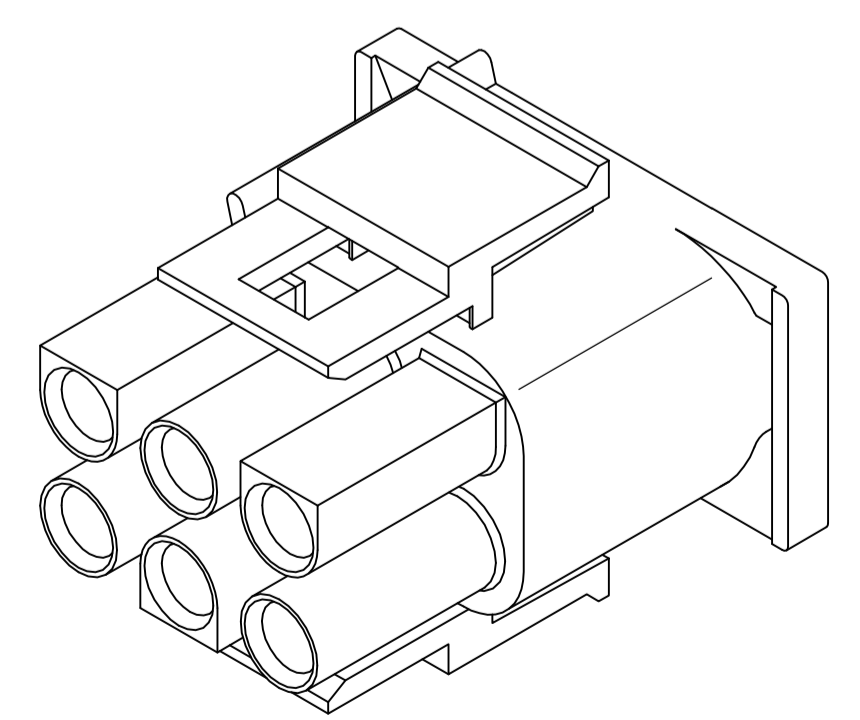
VIEW A-A  
350715-4 ONLY



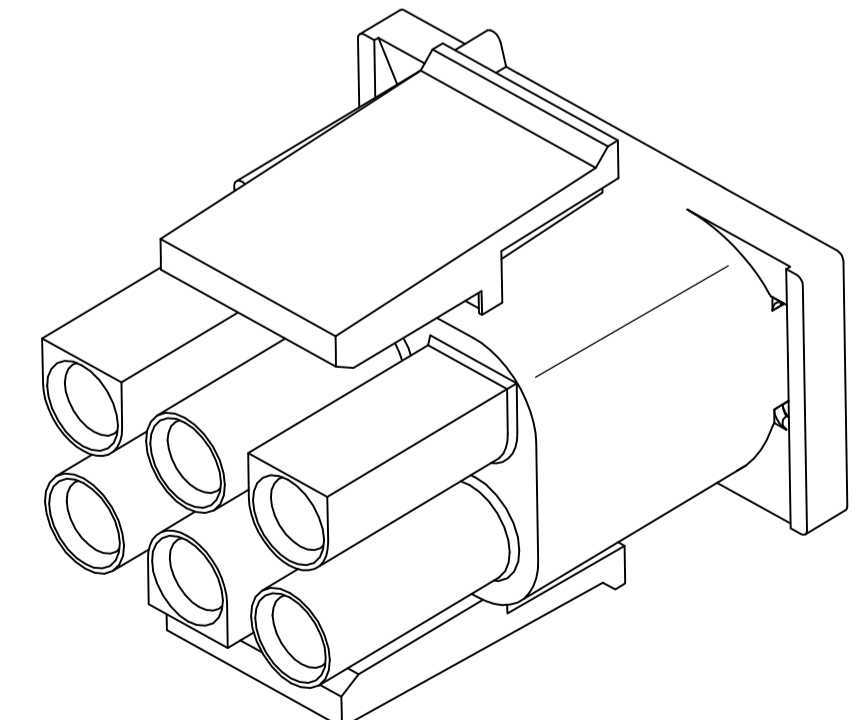
DETAIL A  
OPTIONAL CONSTRUCTION



DETAIL B  
350715-4 ONLY



350715-4 3-DIMENSIONAL MODEL  
NTS



3-DIMENSIONAL MODEL  
NTS

BLACK	1-350715-9
GRAY	1-350715-8
BLUE	1-350715-6
GREEN	1-350715-5
YELLOW	1-350715-4
ORANGE	1-350715-3
RED	1-350715-2
BROWN	1-350715-1
△ NATURAL	350715-4
NATURAL	350715-1
COLOR	PART NUMBER

THIS DRAWING IS A CONTROLLED DOCUMENT.		DIN S. HOOVER 14APR04		APVD S. RIDGILL 14APR04		NAME	
DIMENSIONS: mm [INCHES]		TOLERANCES UNLESS OTHERWISE SPECIFIED:		APVD S. RIDGILL 14APR04		PRODUCT SPEC	
0 PLC ± -		1 PLC ± -		2 PLC ± 0.13 [.005]		APPLICATION SPEC	
3 PLC ± -		4 PLC ± -		ANGLES ± -		SIZE	
MATERIAL NYLON, UL 94V-0		FINISH -		WEIGHT 0		A1 00779 ©=350715	
CUSTOMER DRAWING		SCALE 4:1		SHEET 1 OF 1		REV Y5	

**STE** TE Connectivity

PLUG, 6 CIRCUIT,  
UNIVERSAL MATE-N-LOK(TM)