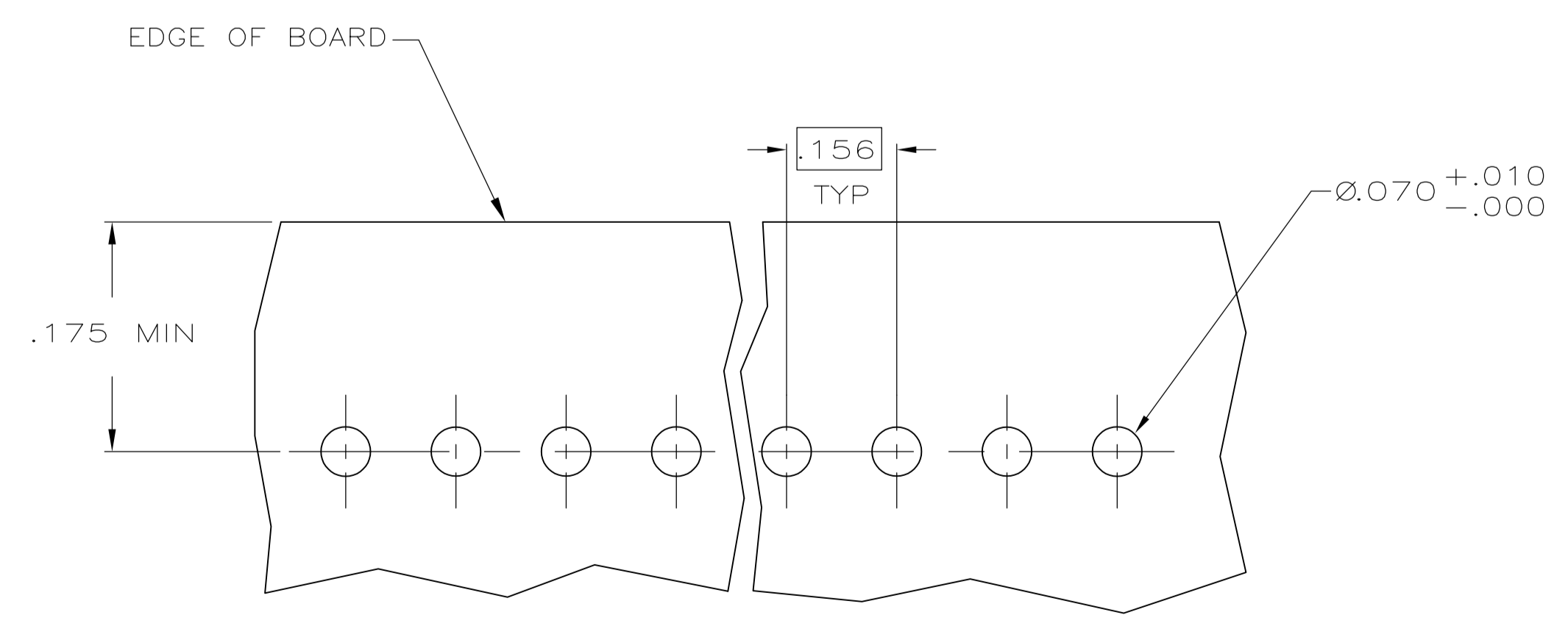
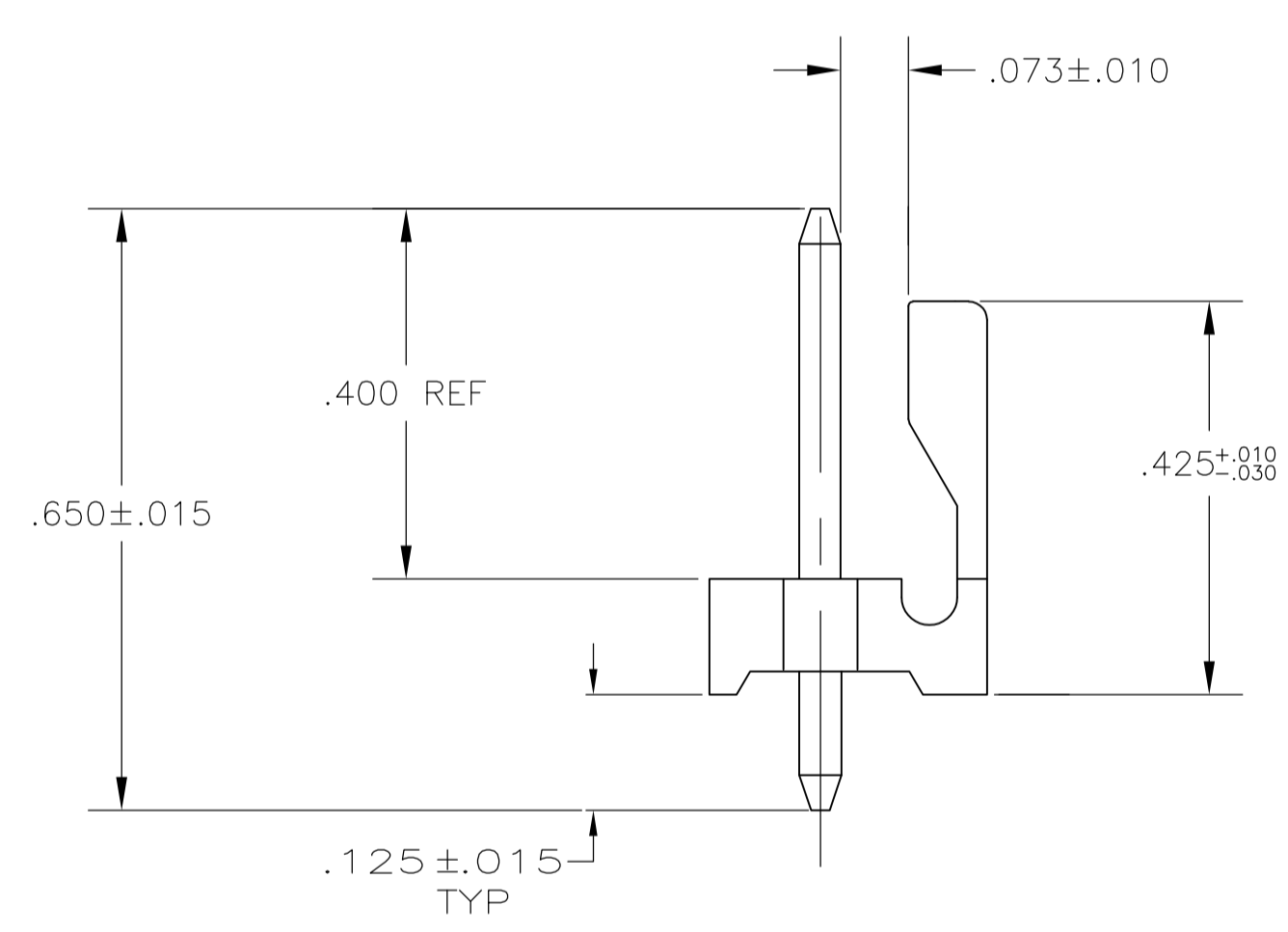
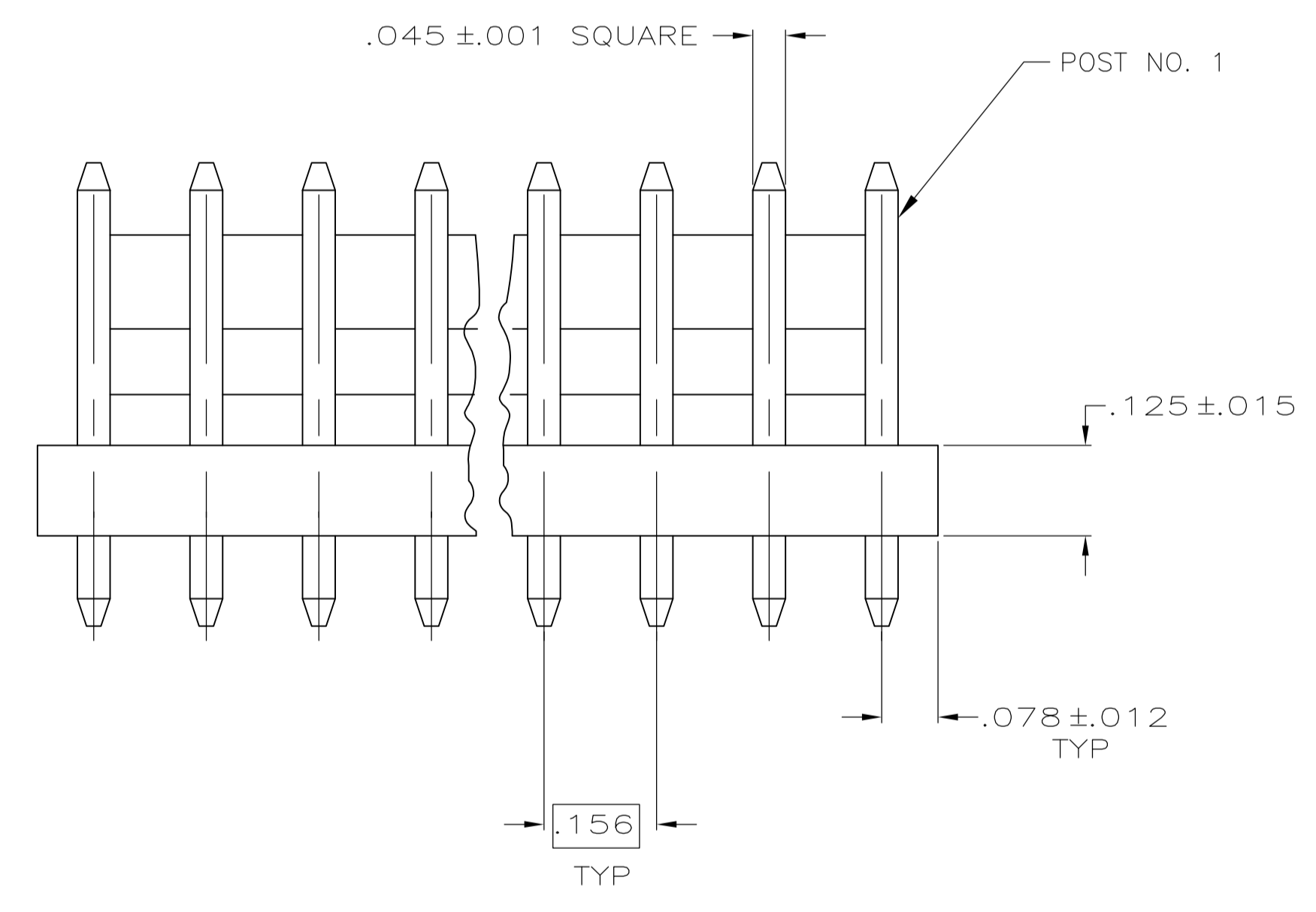
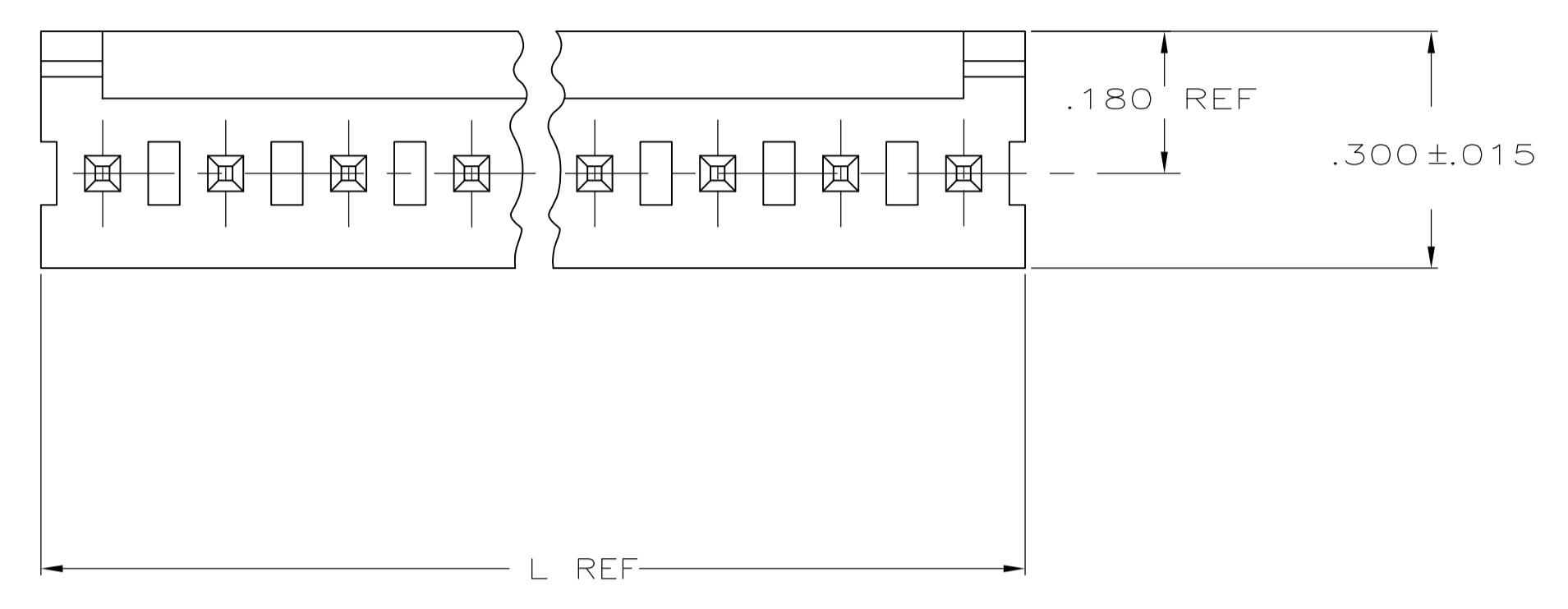


- 1 MATERIAL: HEADER-THERMOPLASTIC POLYESTER
GLASS-FILLED 94V-0 (NATURAL)
POST-COPPER ALLOY
- 2 FINISH: CONTACT-TIN PLATE
- 3 PARTS COMPLY WITH AMP SOLDERABILITY SPEC. NO. 109-11-12.
- 4 SPECIAL PACKAGING VARIATION FOR IMPROVED PRODUCT PROTECTION
- 5 PRELIMINARY-NOT FOR PRODUCTION



RECOMMENDED MOUNTING HOLE PATTERN FOR .063 THICK P.C. BOARD

POS.	2	39.62	1.560	9	3-640445-1/5
		31.70	1.248	8	3-640445-8
		95.10	3.744	24	2-640445-4
		91.14	3.588	23	2-640445-3
		87.17	3.432	22	2-640445-2
		83.21	3.276	21	2-640445-1
		79.25	3.120	20	2-640445-0
		75.29	2.964	19	1-640445-9
		71.32	2.808	18	1-640445-8
		67.36	2.652	17	1-640445-7
		63.40	2.496	16	1-640445-6
		59.44	2.340	15	1-640445-5
		55.47	2.184	14	1-640445-4
		51.51	2.028	13	1-640445-3
		47.55	1.872	12	1-640445-2
		43.59	1.716	11	1-640445-1
		39.62	1.560	10	1-640445-0
		35.66	1.404	9	640445-9
		31.70	1.248	8	640445-8
		27.74	1.092	7	640445-7
		23.77	.936	6	640445-6
		19.81	.780	5	640445-5
		15.85	.624	4	640445-4
		11.89	.468	3	640445-3
		7.92	.312	2	640445-2
OMIT POS.		MM	[IN]	NUMBER OF POSITIONS	PART NUMBER

THIS DRAWING IS A CONTROLLED DOCUMENT.

DIMENSIONS: INCHES	TOLERANCES UNLESS OTHERWISE SPECIFIED:	0 PLC ±	1 PLC ±	2 PLC ±	3 PLC ±	4 PLC ±	ANGLES ±

MATERIAL: 1 FINISH: 2

APPROVED: S. HOOVER (05-NOV-2002), D. ROSSI (05-NOV-2002), D. ROSSI (05-NOV-2002)

NAME: MTA-156 HEADER ASSEMBLY, FRICTION LOCK, STRAIGHT .045 SQUARE POST, TIN PLATED

SIZE: A1, CAGE CODE: 00779, DRAWING NO: 640445, WEIGHT: 640445

CUSTOMER DRAWING, SCALE: 5:1, SHEET: 1 of 1, RE: AD5