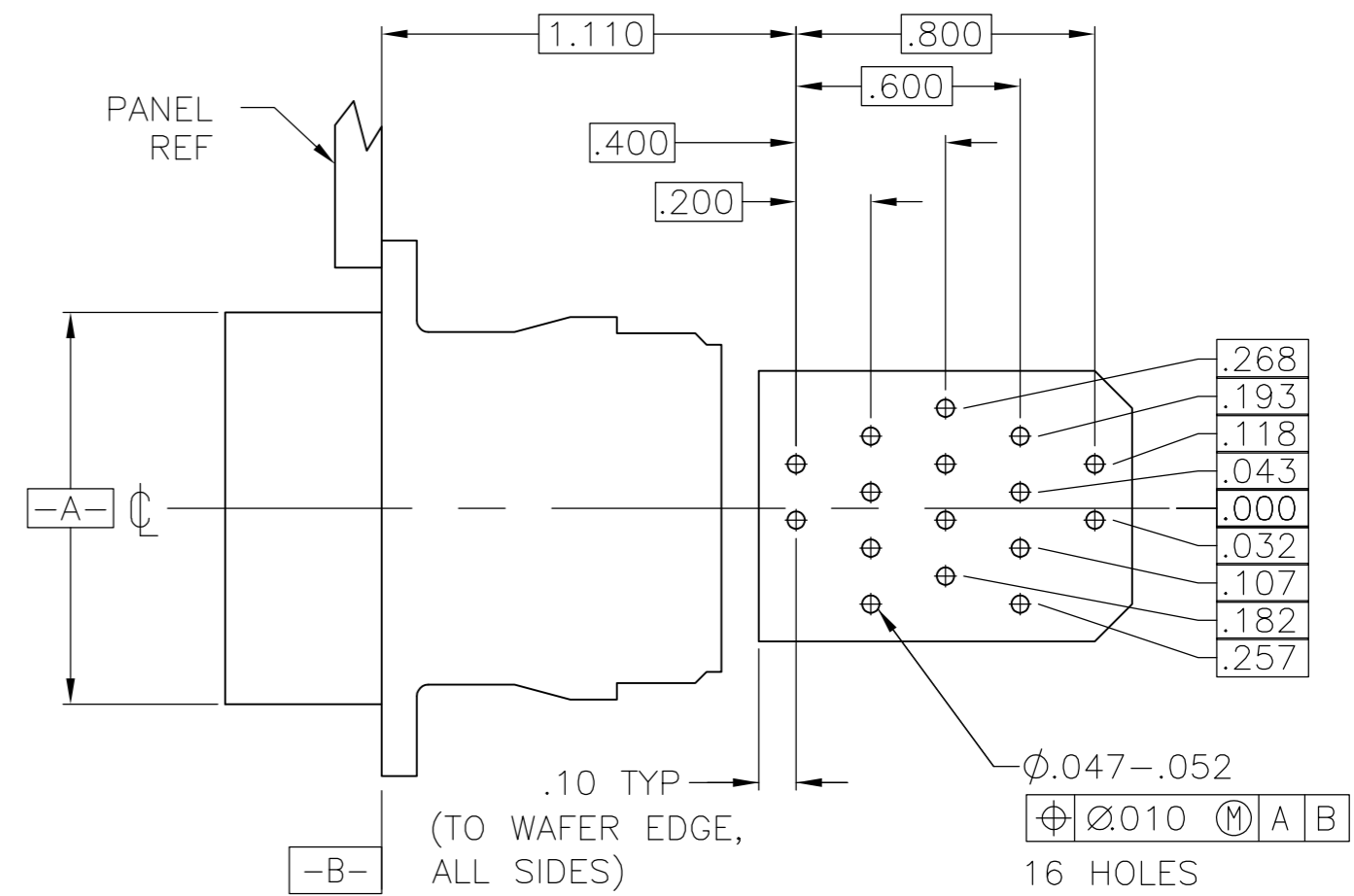
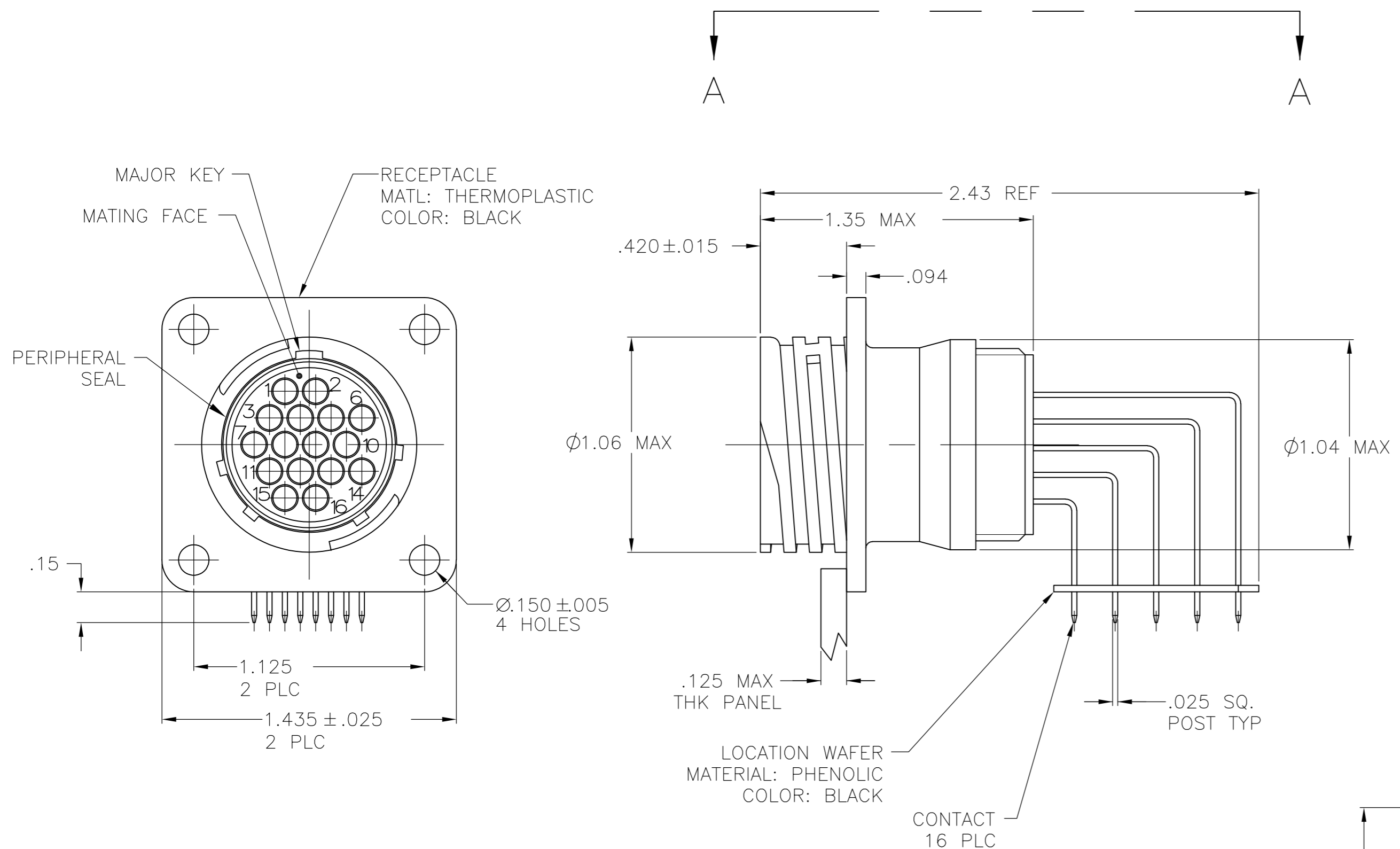
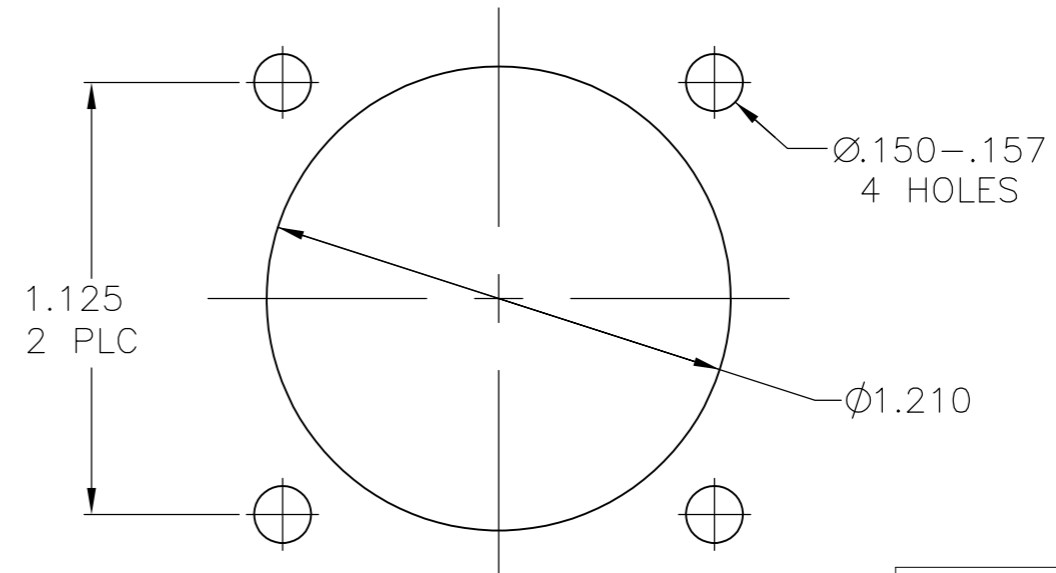


THIS DRAWING IS UNPUBLISHED. RELEASED FOR PUBLICATION
 © COPYRIGHT - By - ALL RIGHTS RESERVED.

REVISIONS				
P	LTR	DESCRIPTION	DATE	APVD
C3		REVISED PER ECO-16-004800	08SEP2016	NK MZ



VIEW A-A
 RECOMMENDED PC BOARD LAYOUT



RECOMMENDED
 PANEL CUTOUT

- 1 CONTACT CAVITIES IDENTIFIED BY CHARACTERS ON FRONT AND REAR FACES OF CONNECTOR.
- 2 #6 FASTENER RECOMMENDED FOR MOUNTING.
- 3 CONTACT BODY: .000030 MIN GOLD FOR A LENGTH OF .250 MIN FROM MATING END, WITH REMAINDER TO BE GOLD FLASH, BOTH OVER .000050 MIN NICKEL.
 CONTACT POST: .000100 MIN TIN-LEAD OVER .000100 MIN COPPER.
- 4 PC BOARD HOLE PATTERN IS DEFINED RELATIVE TO CONNECTOR C.L. AND PANEL MOUNTING FACE INDICATED.
- 5 CONTACT BODY: .000030 MIN GOLD FOR A LENGTH OF .250 MIN FROM MATING END, WITH REMAINDER TO BE GOLD FLASH, BOTH OVER .000050 MIN NICKEL.
 CONTACT POST: .000100 MIN TIN OVER .000100 MIN COPPER.
- 6 CONTACT BODY AND POST PLATED TIN OVER NICKEL

YES	6	1-796404-2
NO	5	1-796404-1
YES	3	796404-2
NO	3	796404-1
PERIPHERAL SEAL	CONTACT FINISH	PART NUMBER

THIS DRAWING IS A CONTROLLED DOCUMENT.		DWN HAMNER 4-5-00																							
DIMENSIONS: INCHES		CHK M.CHACKO 4-6-00																							
TOLERANCES UNLESS OTHERWISE SPECIFIED:		APVD M.CHACKO 4-6-00	NAME RECEPTACLE ASSY, POSTED, RT ANGLE, STD SEX, SIZE 17-16, SERIES 1, CPC																						
<table border="1"> <tr><td>0 PLC</td><td>±</td><td>-</td></tr> <tr><td>1 PLC</td><td>±</td><td>-</td></tr> <tr><td>2 PLC</td><td>±</td><td>.03</td></tr> <tr><td>3 PLC</td><td>±</td><td>.010</td></tr> <tr><td>4 PLC</td><td>±</td><td>-</td></tr> <tr><td>ANGLES</td><td>±</td><td>-</td></tr> <tr><td>FINISH</td><td>±</td><td>-</td></tr> </table>		0 PLC	±	-	1 PLC	±	-	2 PLC	±	.03	3 PLC	±	.010	4 PLC	±	-	ANGLES	±	-	FINISH	±	-	PRODUCT SPEC -	RESTRICTED TO -	
0 PLC	±	-																							
1 PLC	±	-																							
2 PLC	±	.03																							
3 PLC	±	.010																							
4 PLC	±	-																							
ANGLES	±	-																							
FINISH	±	-																							
MATERIAL -	FINISH -	WEIGHT -	SIZE A2	CAGE CODE 00779																					
CUSTOMER DRAWING		SCALE 2:1	DRAWING NO C=796404	REV C3																					

796404