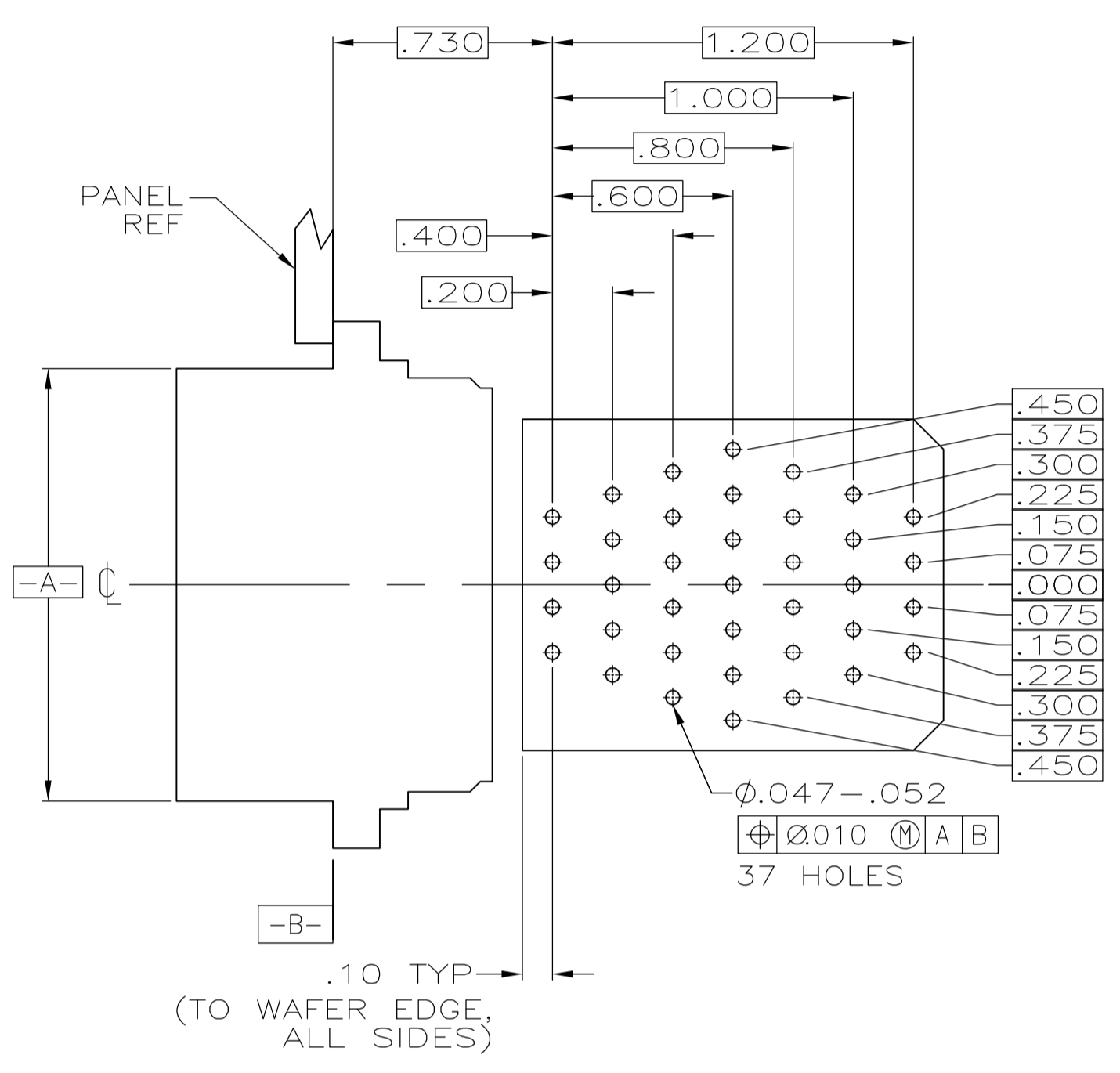
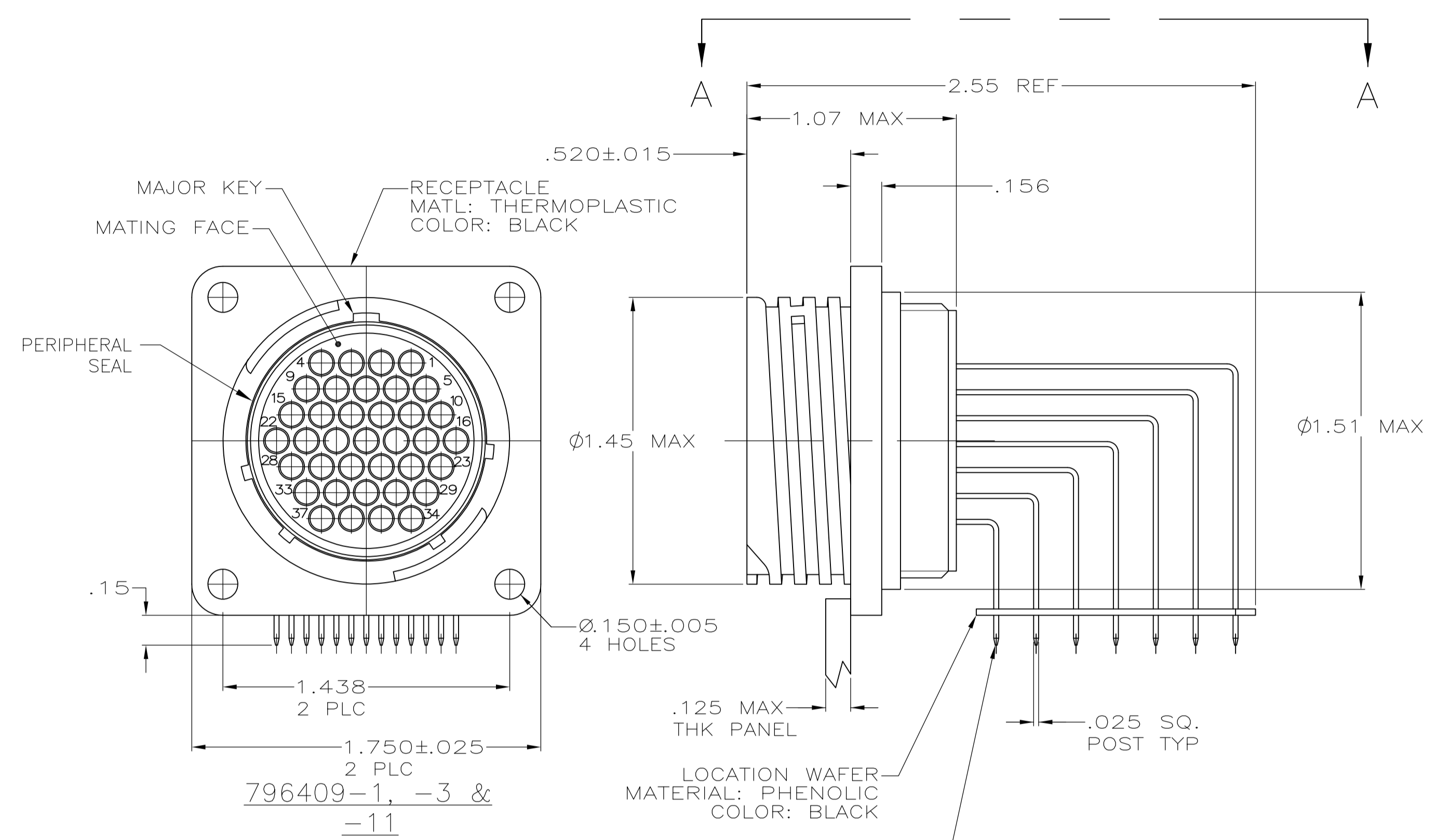
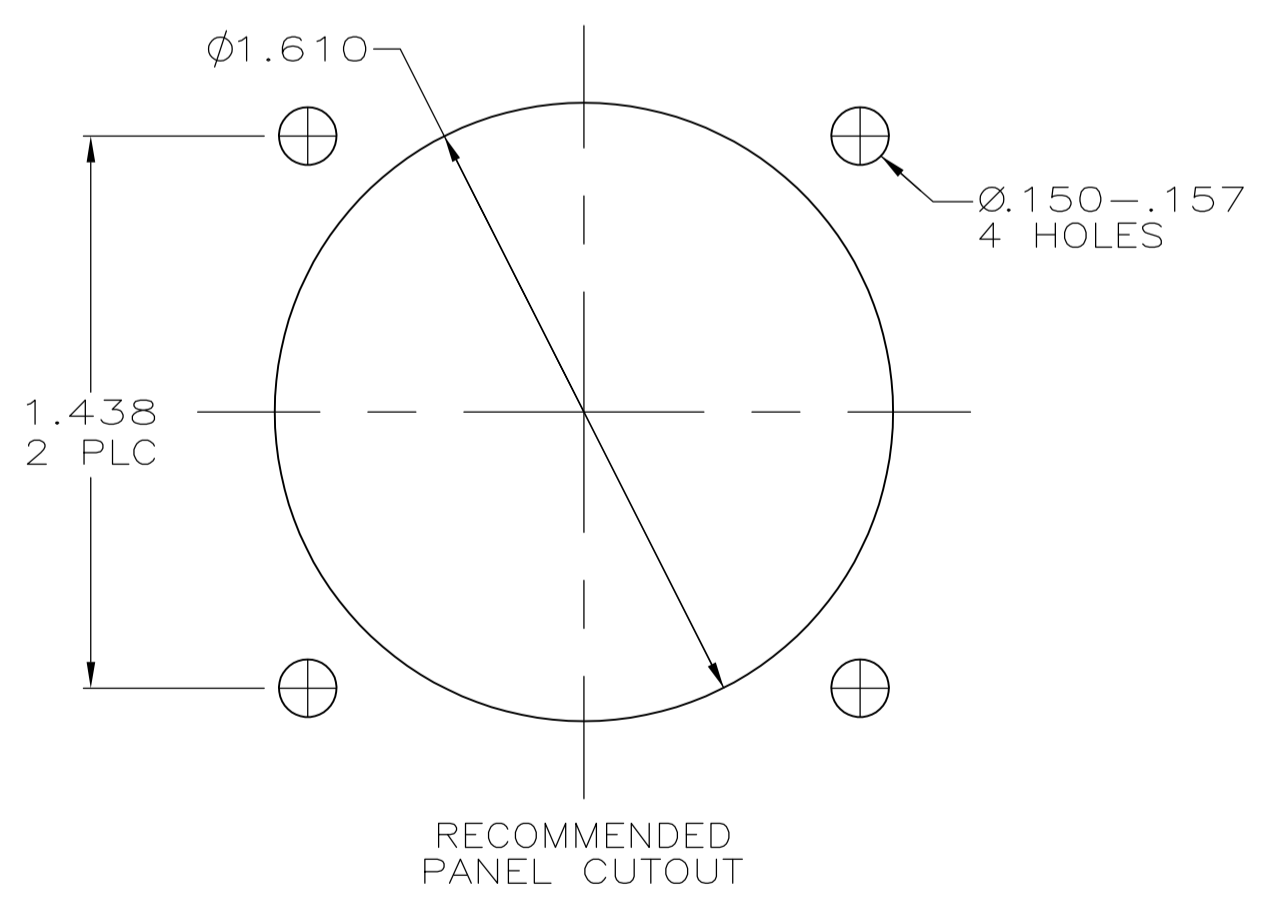
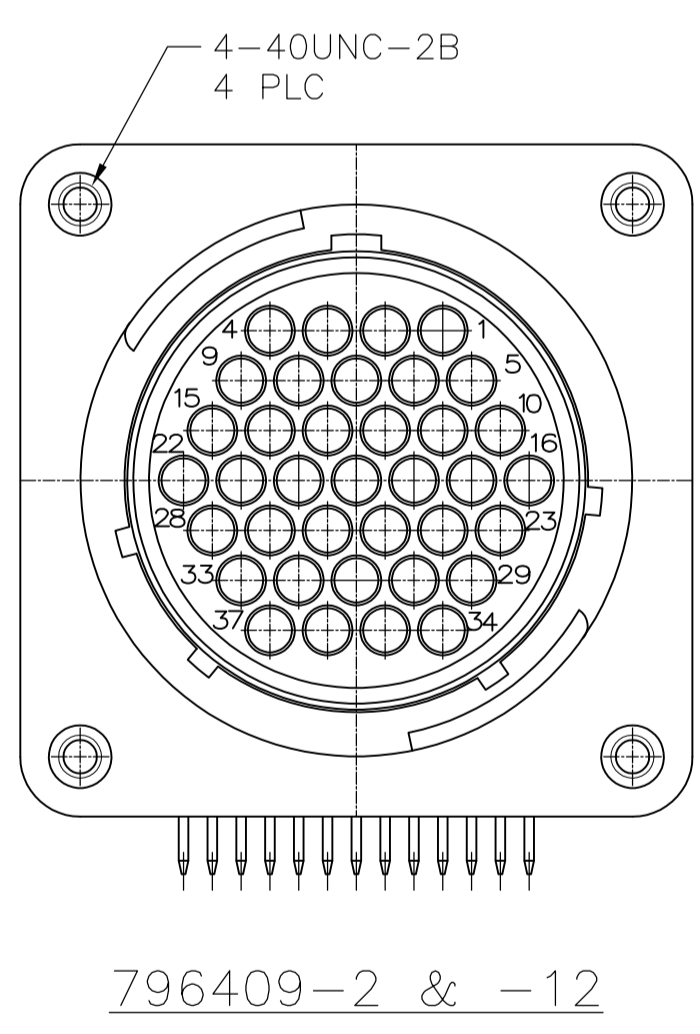


REVISIONS					
P	LTR	DESCRIPTION	DATE	DMN	APVD
F1	REVISED PER ECO-16-004800		10SEP2016	NK	MZ



VIEW A-A
RECOMMENDED PC BOARD LAYOUT



- CONTACT CAVITIES IDENTIFIED BY CHARACTERS ON FRONT AND REAR FACES OF CONNECTOR.
- #6 FASTENER RECOMMENDED FOR MOUNTING.
- CONTACT BODY: .000030 MIN GOLD FOR A LENGTH OF .200 MIN FROM MATING END, WITH REMAINDER TO BE GOLD FLASH, BOTH OVER .000050 MIN NICKEL. CONTACT POST: .000100 MIN TIN-LEAD OVER .000100 MIN COPPER.
- PC BOARD HOLE PATTERN IS DEFINED RELATIVE TO CONNECTOR C.L. AND PANEL MOUNTING FACE INDICATED.
- CONTACT BODY: .000030 MIN GOLD FOR A LENGTH OF .200 MIN FROM MATING END, WITH REMAINDER TO BE GOLD FLASH, BOTH OVER .000050 MIN NICKEL. CONTACT POST: .000100 MIN TIN OVER .000100 MIN COPPER.

OBsolete	NO	YES	YES	NO	NO	NO	NO
	NO	YES	NO	NO	NO	NO	NO
	YES	NO	NO	NO	NO	NO	NO
OBsolete	NO	YES	YES	NO	NO	NO	NO
OBsolete	NO	NO	NO	NO	NO	NO	NO

THIS DRAWING IS A CONTROLLED DOCUMENT.

DIMENSIONS: INCHES	TOLERANCES UNLESS OTHERWISE SPECIFIED:	DIN HAMNER 3-26-00	3-27-00	 TE Connectivity
0 PLC ± -	1 PLC ± -	APVD MCHACKO 3-27-00	NAME	
2 PLC ± .03	3 PLC ± .010		RECEPTACLE ASSY, POSTED, RT ANGLE, RVS SEX, SIZE 23-37, SERIES 1, CPC	
4 PLC ± -	ANGLES ± -		APPLICATION SPEC	
MATERIAL	FINISH	WEIGHT	SIZE CAGE CODE DRAWING NO	RESTRICTED TO
			A1 00779 C=796409	
CUSTOMER DRAWING			SCALE 2:1	SHEET 1 OF 1