

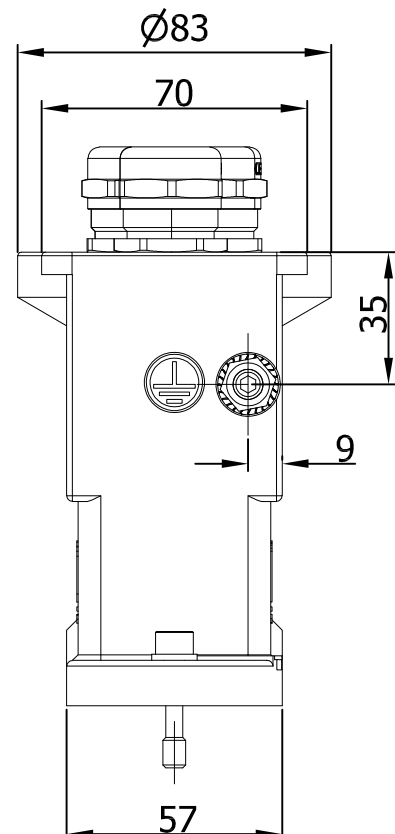
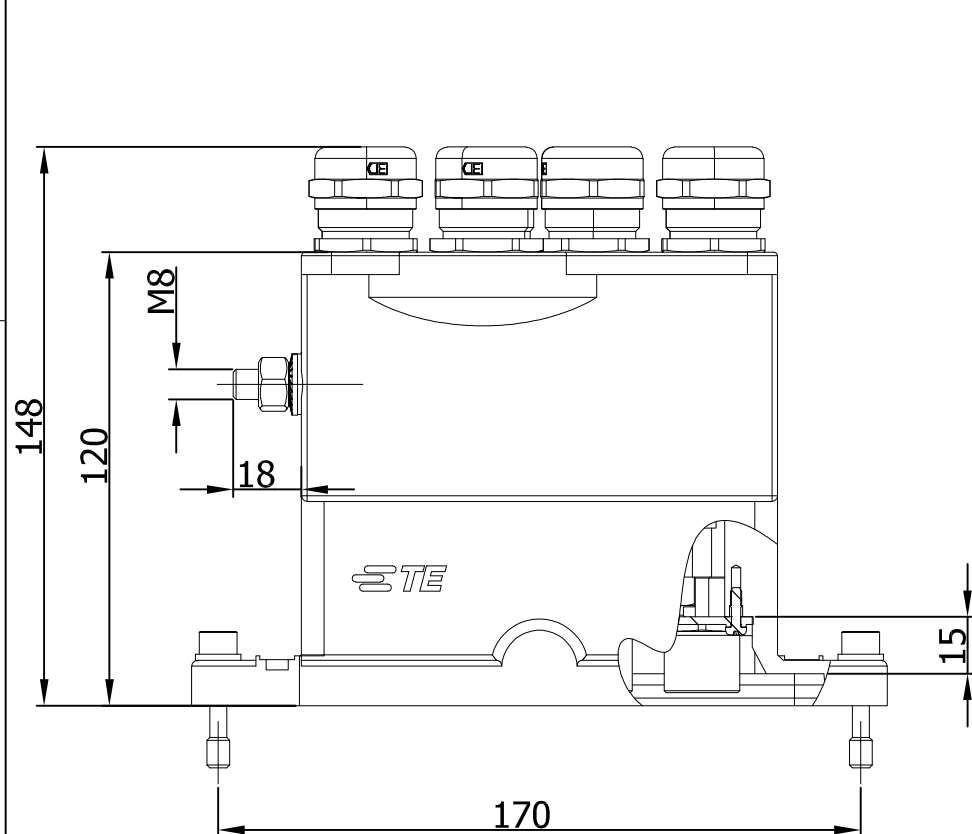
THIS DRAWING IS UNPUBLISHED.
VERTRAULICHE UNVERÖFFENTLICHTE ZEICHNUNG

RELEASED FOR PUBLICATION
FREI FUER VERÖFFENTLICHUNG
ALL RIGHTS RESERVED.
ALLE RECHTE VORBEHALTEN

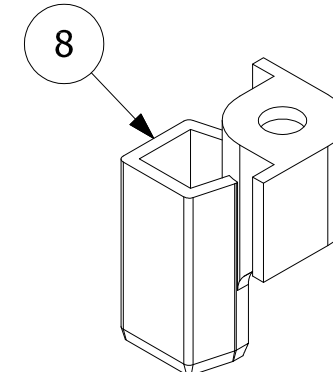
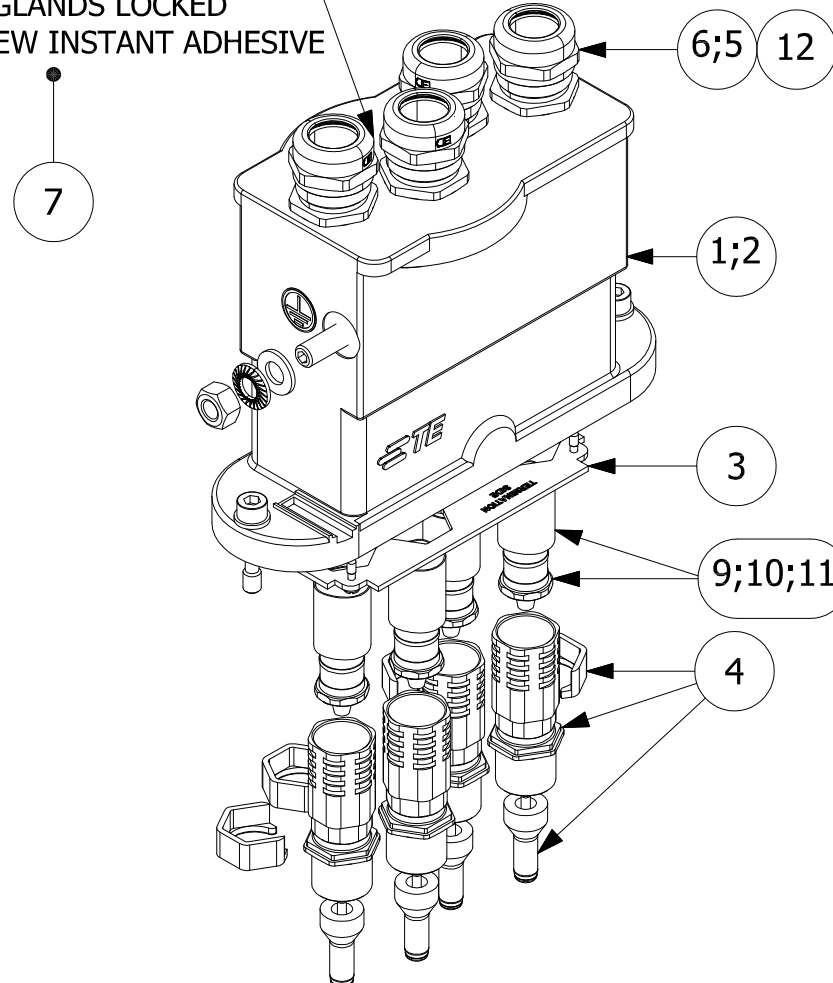
PROJEKT NR. **EGGCN06413**

REVISIONS
ÄNDERUNGEN

P	LTR	DESCRIPTION BESCHREIBUNG	DATE	DWN	APVD
C		ECR-15-014708	21OCT2015	GSK	MKO
D		ECR-16-002339	12APR2016	GCM	JB

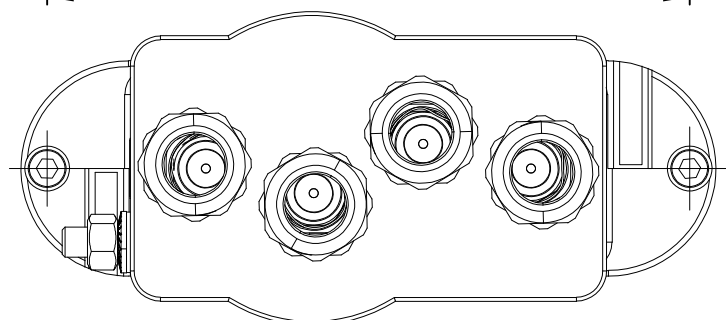


CABLE GLANDS LOCKED
BY SCREW INSTANT ADHESIVE




NOTES

- 1 SUITABLE CABLE GLANDS:
CUSTOMER DRAWING: 1102770
- 2 STANDARDS:
DIN EN 61984; DIN EN 60664-1
- 3 PACKAGING:
3 SETS IN A CARTON,
ALL COMPONENTS NOT PRE-
MOUNTED AND PACKED LOOSE



**PN 0-1
AS SHOWN**

QTY	DESCRIPTION	MATERIAL	SURFACE	COLOR	NOTE / ORDERING TEXT	ITEM		
4	ASS'Y CABLE GLAND	BRASS	NICKEL PLATED		M25 CABLE DIAMETER RANGE 11-17 MM	12		
4	ASS'Y CRIMP BARREL	COPPER	SILVER PLATED		WIRE SIZE 25 MM ²	11		
3	ASS'Y CRIMP BARREL	COPPER	SILVER PLATED		WIRE SIZE 70 MM ²	10		
1	ASS'Y CRIMP BARREL	COPPER	SILVER PLATED		WIRE SIZE 50 MM ²	9		
1	CODING SET HF8	-	-	-	-	8		
4	SCREW INSTANT ADHESIVE	-	-	-	-	7		
4	ASS'Y CABLE GLAND	BRASS	NICKEL PLATED		M25 CABLE DIAMETER RANGE 11-16 MM	6		
4	ASS'Y CABLE GLAND	BRASS	NICKEL PLATED		M20	5		
4	ASS'Y MALE INSERT	PA6.6-GF25	-	NATURAL	HF.8-STI-EINS.2	4		
1	ASS'Y FIXING PLATE	STEEL	ZINC PLATED		HF.8.4xHF.8.ST	3		
1	ASS'Y HOOD	-	CROMIT AL TCP PASS.	BLACK	HF-EMVK.8.STO.4.M20.G+1.M8	2		
1	ASS'Y HOOD	-	CROMIT AL TCP PASS.	BLACK	HF-EMVK.8.STO.4.M25.G+1.M8	1		
0-4	0-3	0-1	DESCRIPTION	MATERIAL	SURFACE	COLOR	NOTE / ORDERING TEXT	ITEM
	X		HF.8.STO.4M25.G+1.M8.50					
	X		HF.8.STO.4M25.G+1.M8.70.50					
X			HF.8.STO.4M20.G+1.M8.25					

THIS DRAWING IS A CONTROLLED DOCUMENT. DIESE ZEICHNUNG IST EIN KONTROLLIERTES DOKUMENT.		DWN H.BRAUN 17.08.2006	 TE Connectivity	
DIMENSIONS: MASSE/NEHMEN: mm		CHK -		
TOLERANCES UNLESS OTHERWISE SPECIFIED: ALLGEMEINTOLERANZEN n. ISO 8015 - mH-E n. ISO 2768 - 140 n. DIN 16901-		PRODUCT SPEC PRODUKTSPEZ. 108-74038/74044	NAME SET HOOD SERIES HF8	
MATERIAL		APPLICATION SPEC VERARBEITUNGSSPEZ. 114-74032/74043	SIZE A3	CAGE CODE 00779
FINISH/OBERFLAECHE/FARBE		WEIGHT (KG) GEWICHT 1,000	DRAWING NO ZEICHNUNGS-NR. G-1108820	
		CUSTOMER DRAWING/KUNDENZEICHNUNG		RESTRICTED TO NUR FUER
		SCALE MASSSTAB	SHEET BLATT	OF VON
		1	1	REV D