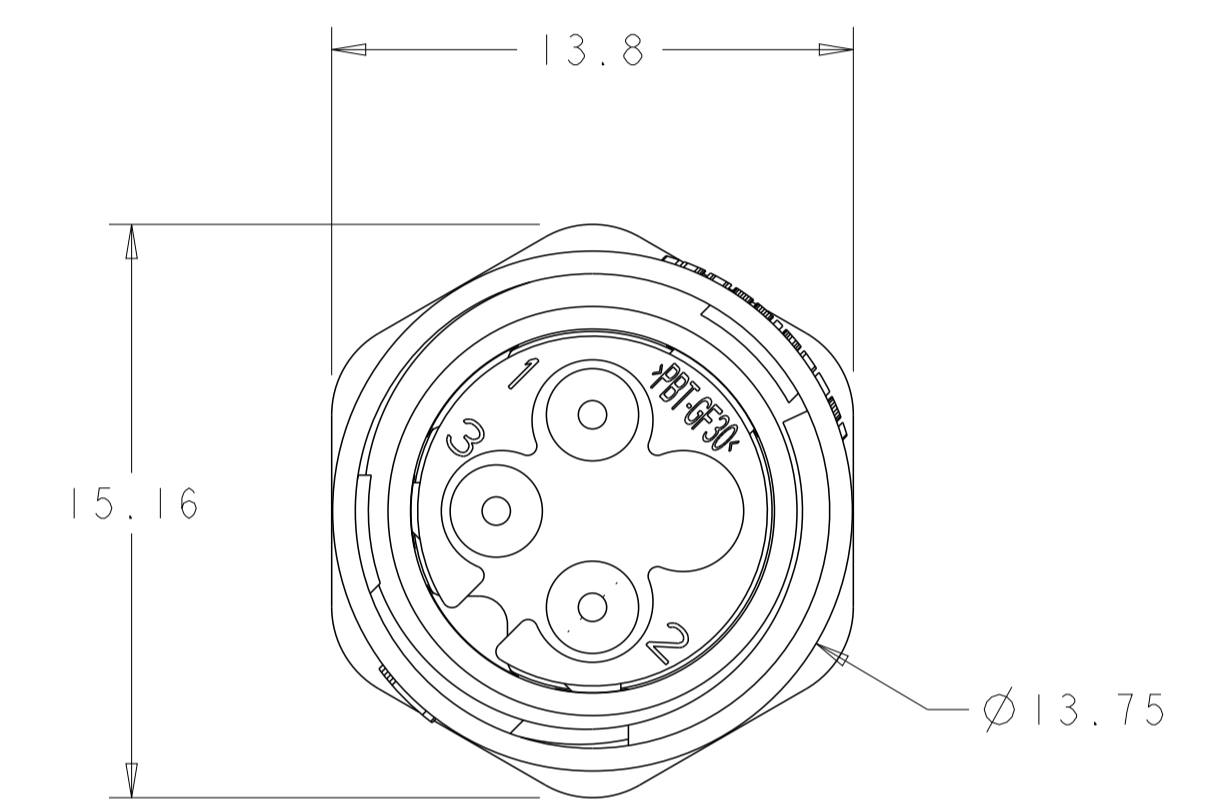
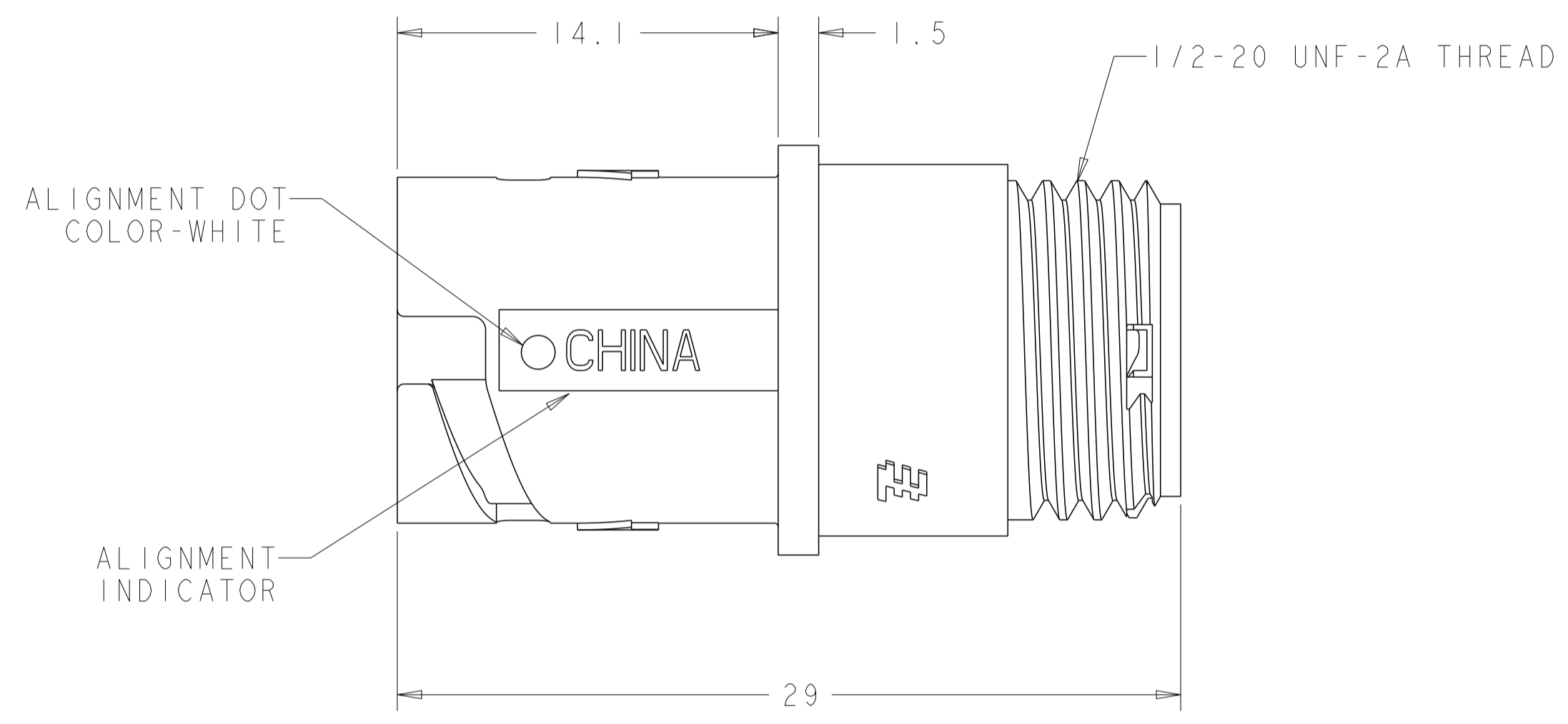
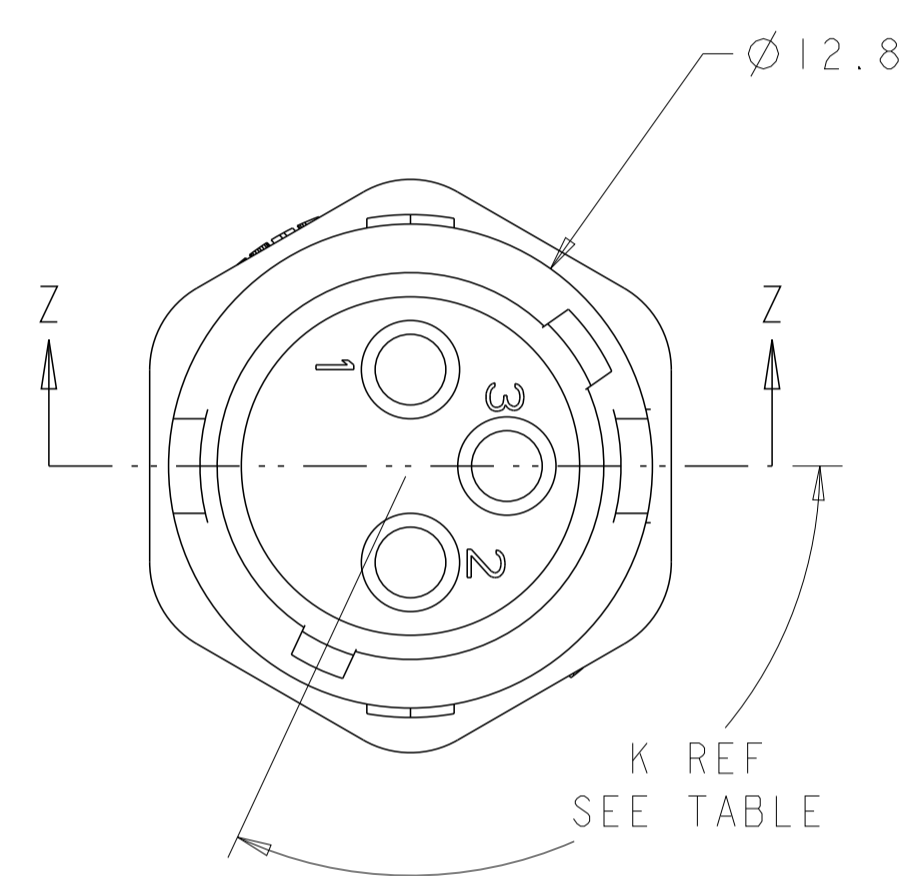
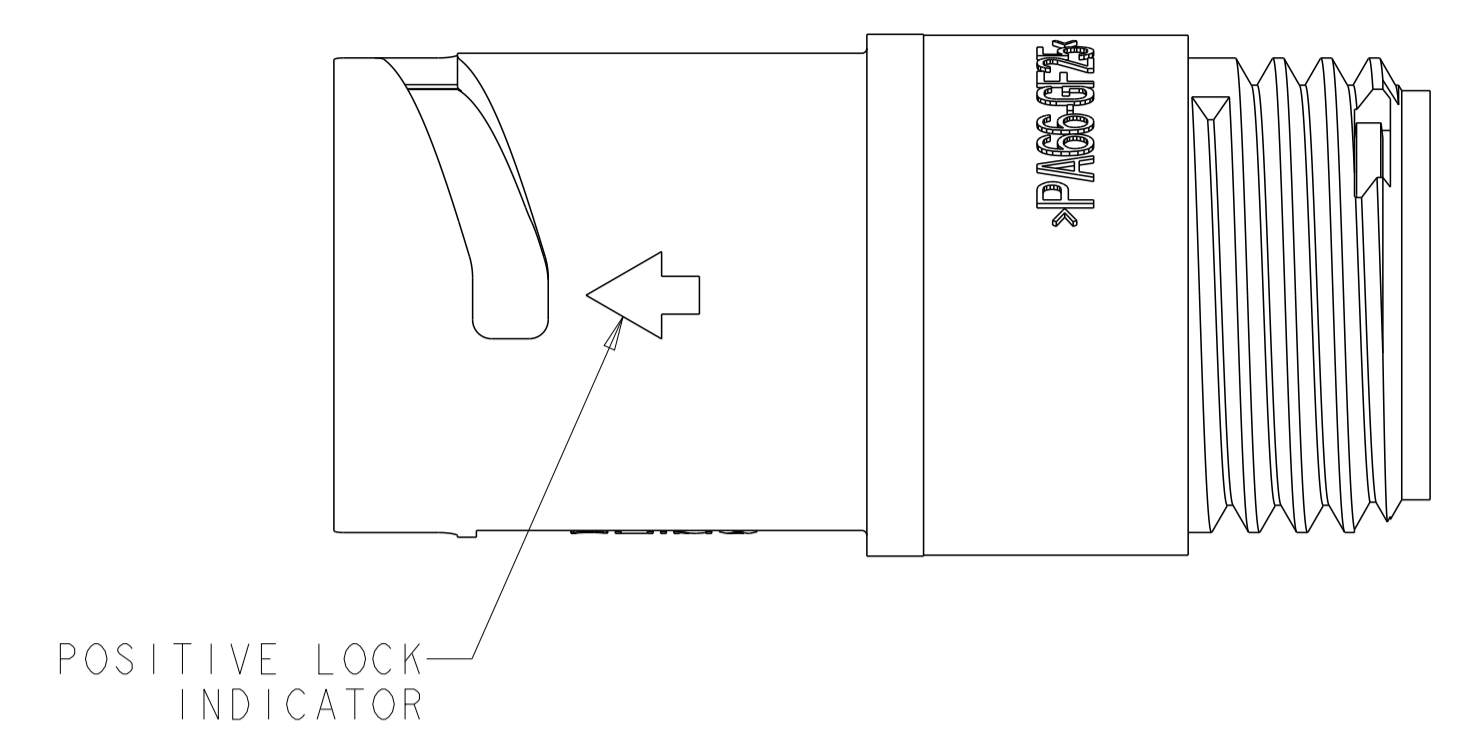
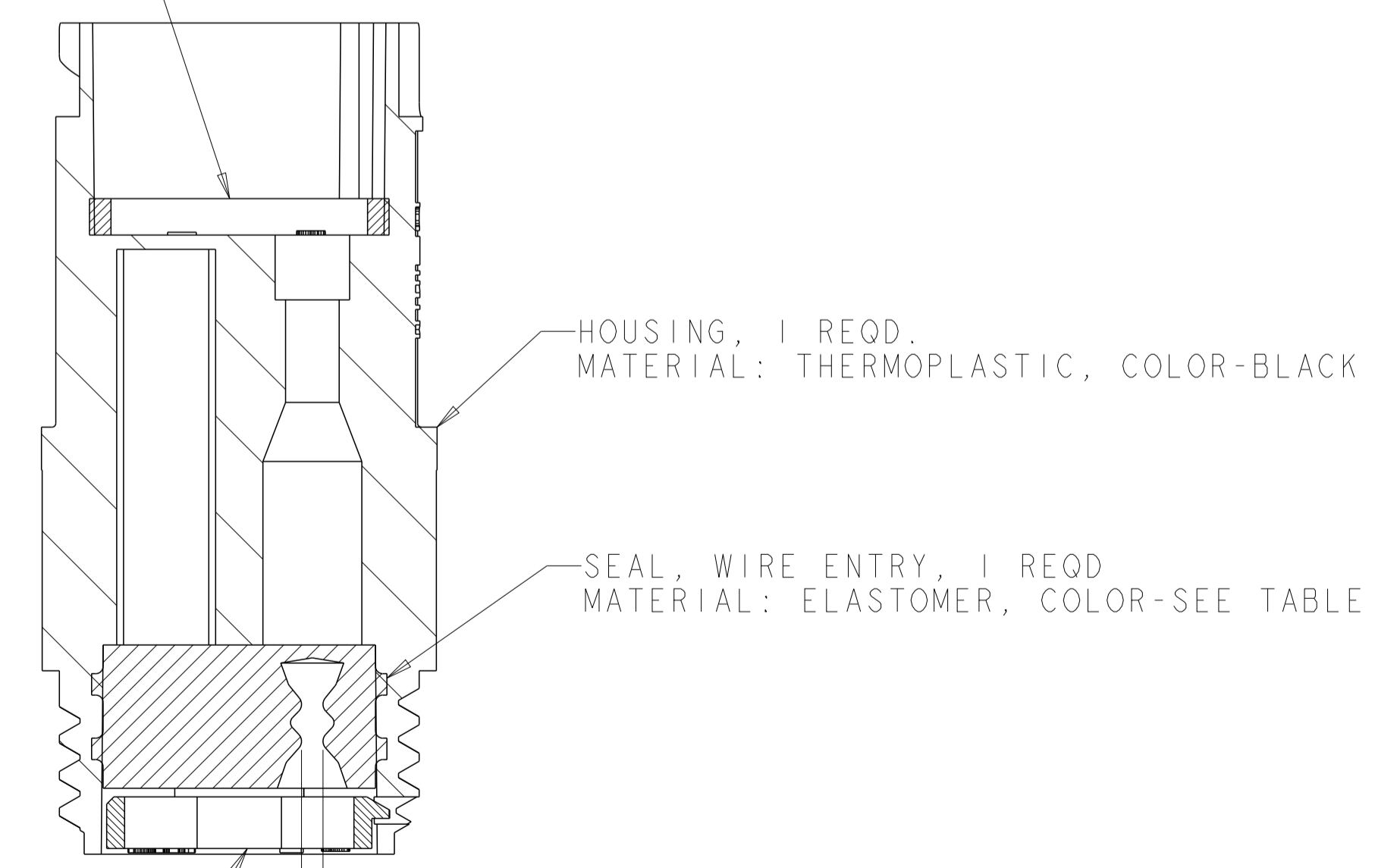


REVISIONS				
P	LTN	DESCRIPTION	DATE	OWN APVD
	B2	REVISED PER ECO-15-010004	11JUL2015	NK MZ



SEAL, PERIPHERAL, 1 REQD.
 MATERIAL: ELASTOMER, COLOR-GRAY



SECTION Z-Z

YELLOW	Ø 0.75	130°	1445510-04
NATURAL	Ø 1.5	115°	1445510-03
NATURAL	Ø 1.5	130°	1445510-02
YELLOW	Ø 0.75	115°	1445510-01
SEAL, WIRE ENTRY COLOR	Ø X REF	K REF	PART NUMBER

THIS DRAWING IS A CONTROLLED DOCUMENT.		OWN S. WIEST 01MAY2001	TE Connectivity
DIMENSIONS: mm		CHK G. DOUITY 01MAY2001	
TOLERANCES UNLESS OTHERWISE SPECIFIED: 0 PLC ±.5 1 PLC ±0.5 2 PLC ±0.13 3 PLC ±0.13 4 PLC ±0.001 ANGLES ±.0001		APVD H. WAKEEM 12JUN2003	NAME ASSEMBLY, RECEPTACLE, SIZE 8, 3 POSITION, FREE HANGING, SEALED, MINI CPC
MATERIAL SEE CALLOUT		FINISH SEE CALLOUT	RESTRICTED TO
CUSTOMER DRAWING		WEIGHT -	SIZE A100779 C=1445510
SCALE 5:1		SHEET 1 OF 1	REV B2