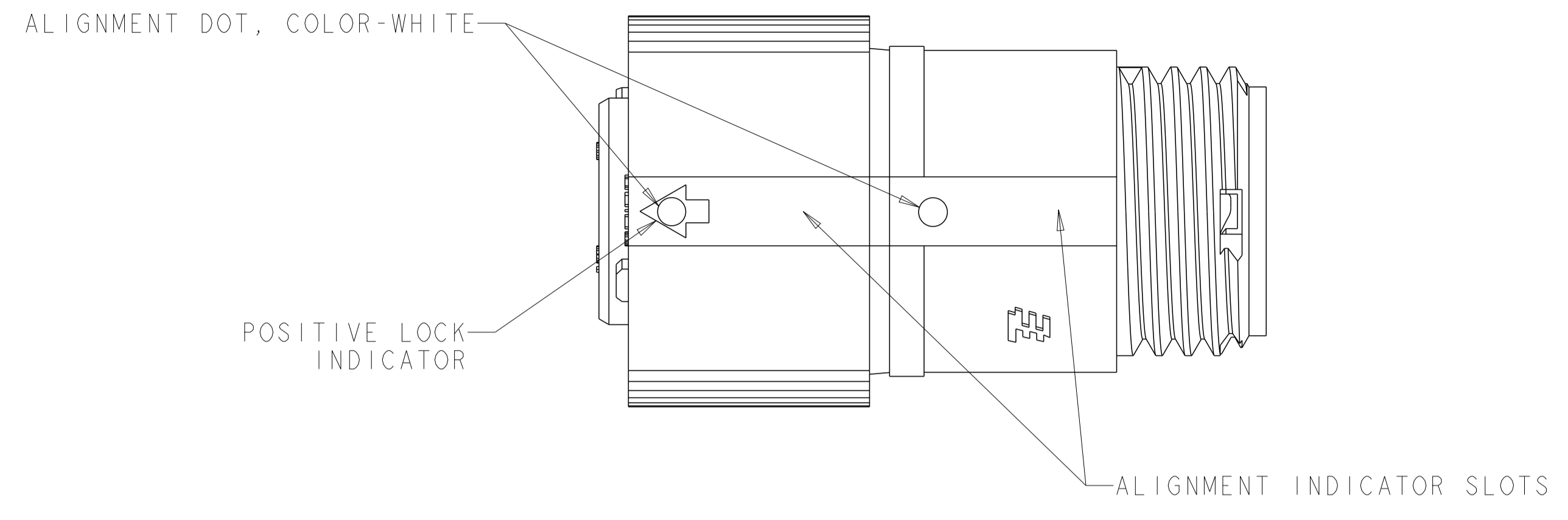
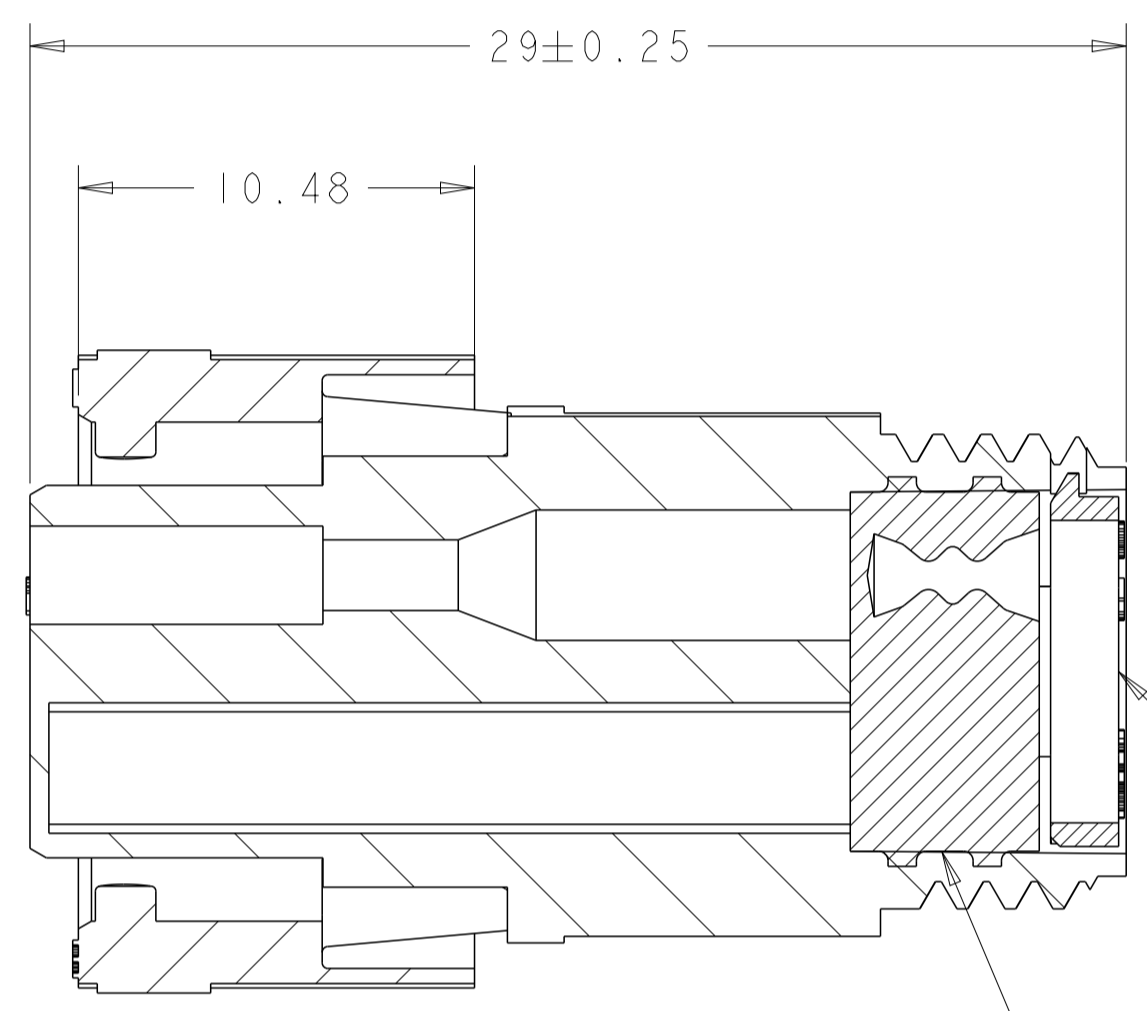
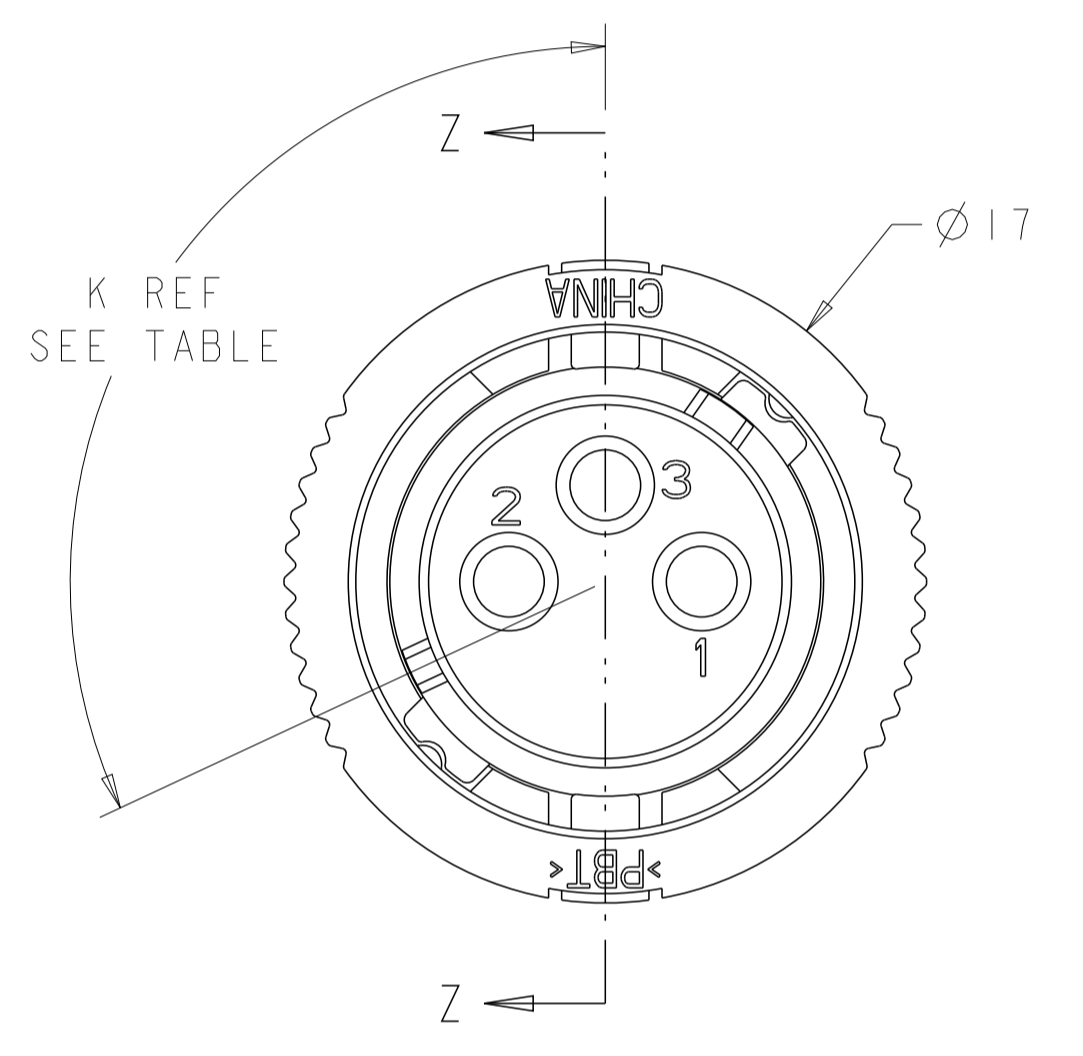


REVISIONS				
P	LTN	DESCRIPTION	DATE	APVD
B3		REVISED PER ECO-15-010004	13JUL2015	NK MZ

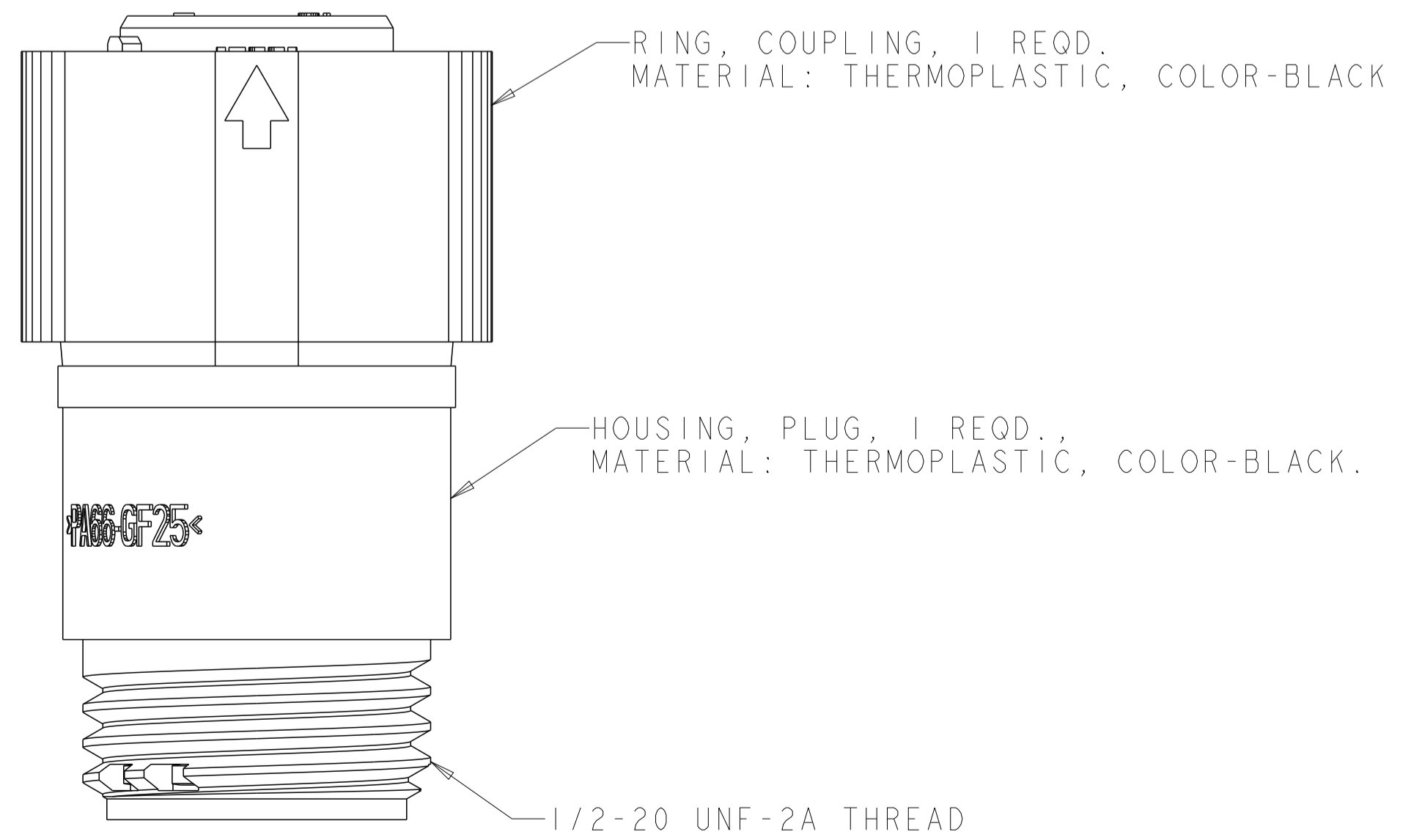
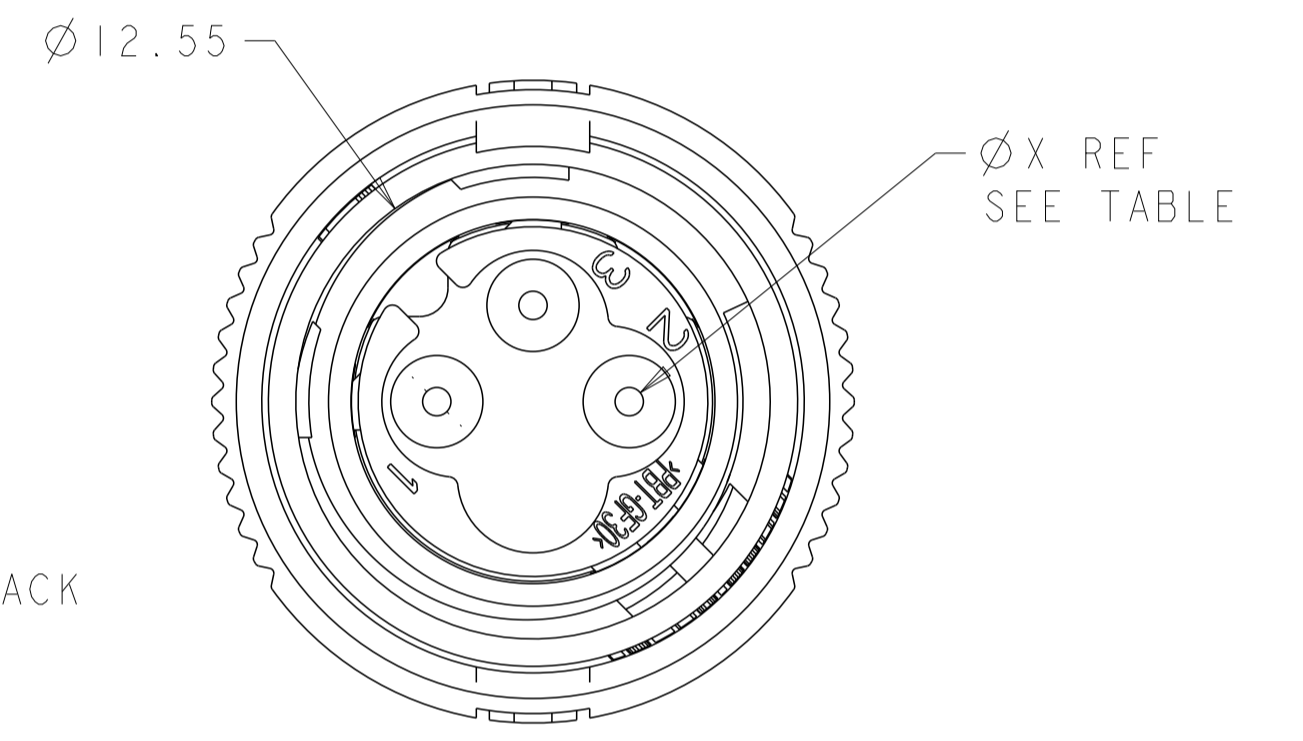


⚠ PRELIMINARY - NOT FOR PRODUCTION



SECTION Z-Z

RETAINER, SEAL, 1 REQD.
 MATERIAL: THERMOPLASTIC, COLOR-BLACK
 SEAL, WIRE ENTRY, 1 REQD.
 MATERIAL: ELASTOMER, COLOR-SEE TABLE



RED	NATURAL	Ø1.5	115°	⚠ 1445534-05
BLACK	YELLOW	Ø0.75	130°	1445534-04
BLACK	NATURAL	Ø1.5	115°	1445534-03
BLACK	NATURAL	Ø1.5	130°	1445534-02
BLACK	YELLOW	Ø0.75	115°	1445534-01
HOUSING COLOR	SEAL, WIRE ENTRY COLOR	ØX REF	K REF	PART NUMBER

THIS DRAWING IS A CONTROLLED DOCUMENT.

DIMENSIONS:	TOLERANCES UNLESS OTHERWISE SPECIFIED:	OWN S. WIEST 07MAY2001	TE Connectivity NAME ASSEMBLY, PLUG, SIZE 8, 3 POSITION, SEALED, MINI CPC PRODUCT SPEC - APPLICATION SPEC - SIZE CAGE CODE DRAWING NO. A100779C=1445534 RESTRICTED TO -
mm	0 PLC ± 1 PLC ±0.5 2 PLC ±0.13 3 PLC ±0.013 4 PLC ±0.001 ANGLES ±	CHK G. DOUITY 07MAY2001 APVD H. WAKEEM 12JUN2003	
MATERIAL SEE CALLOUT	FINISH -	WEIGHT -	SCALE 5:1 SHEET 1 OF 1 REV B3

CUSTOMER DRAWING