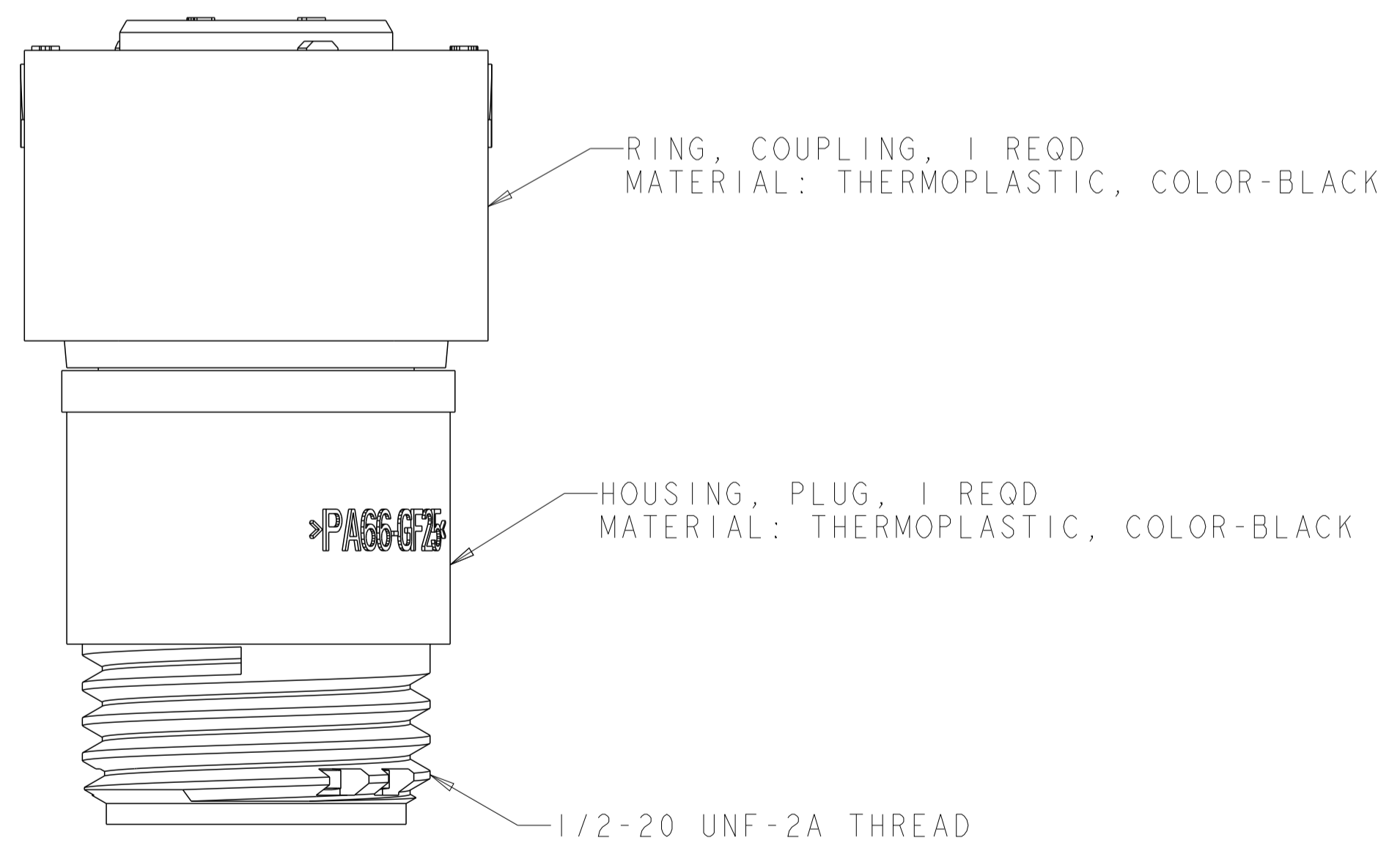
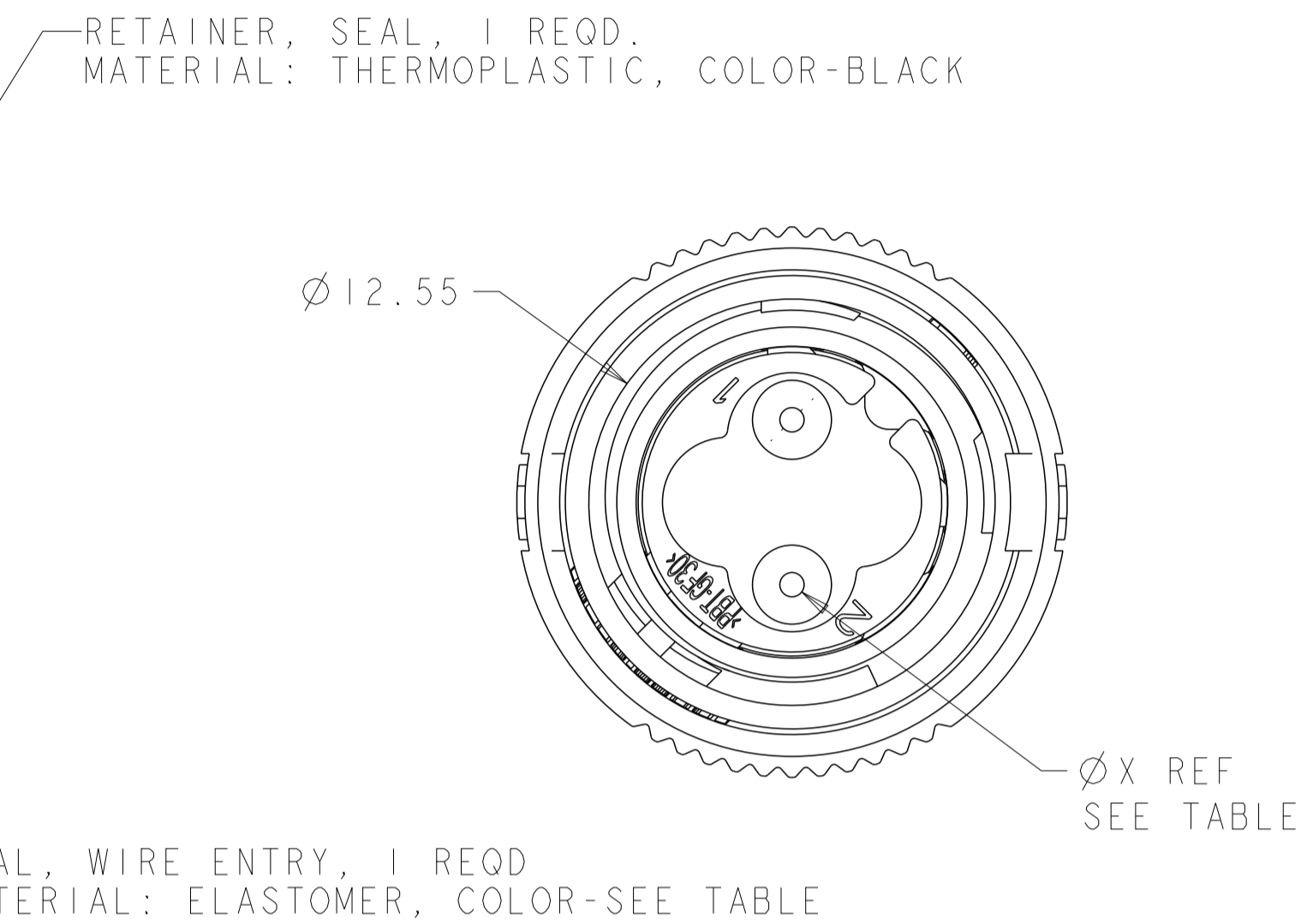
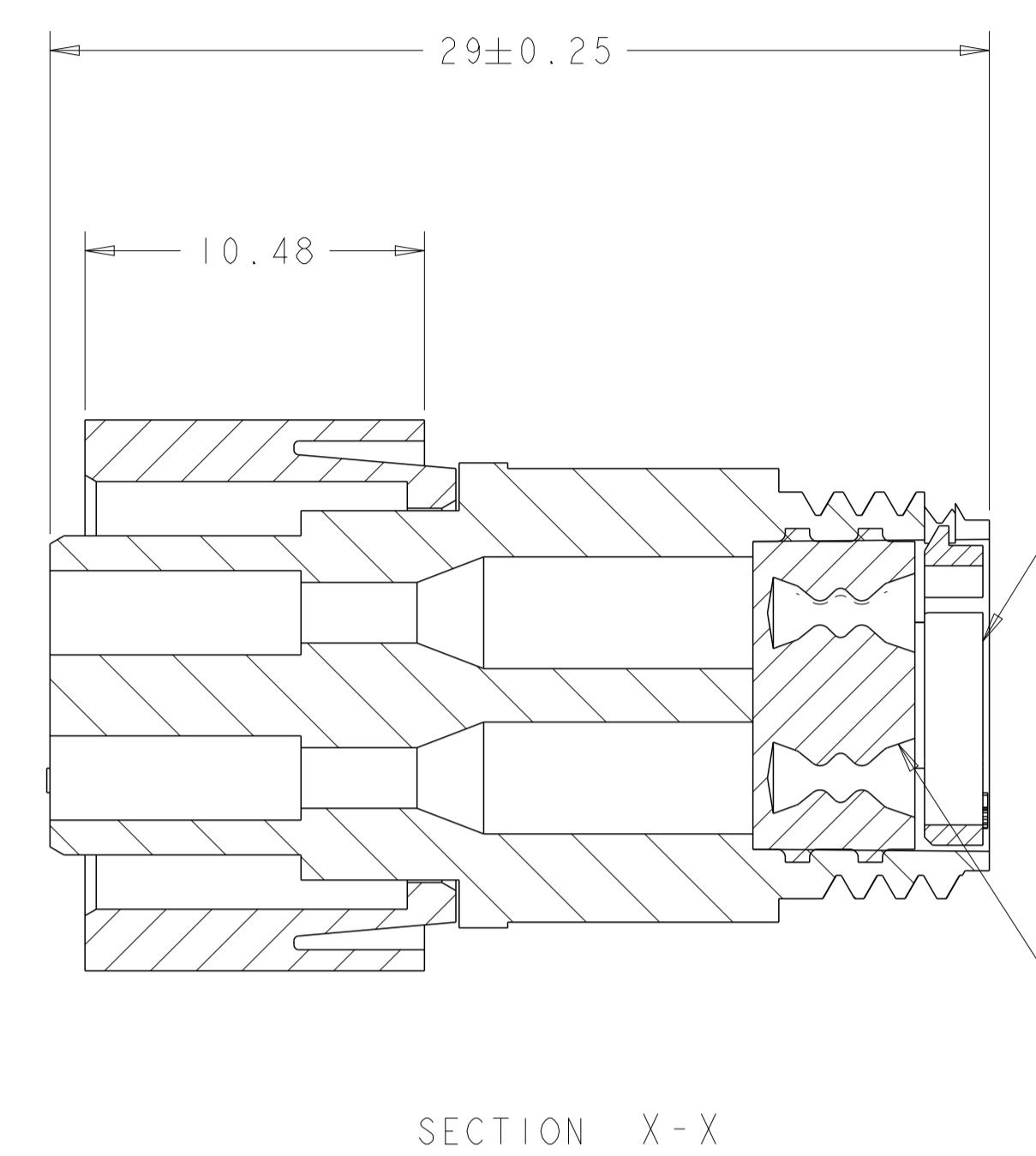
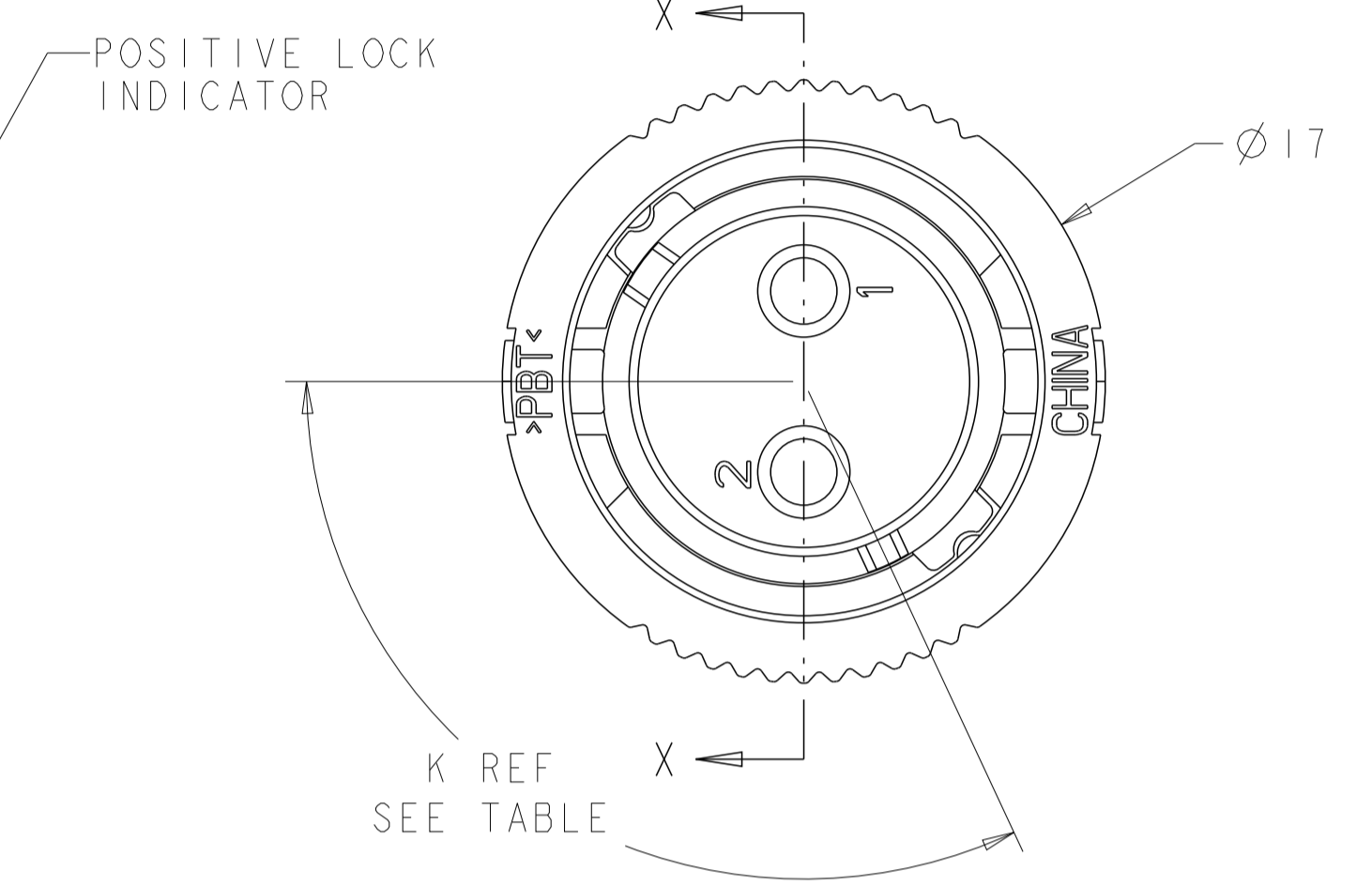
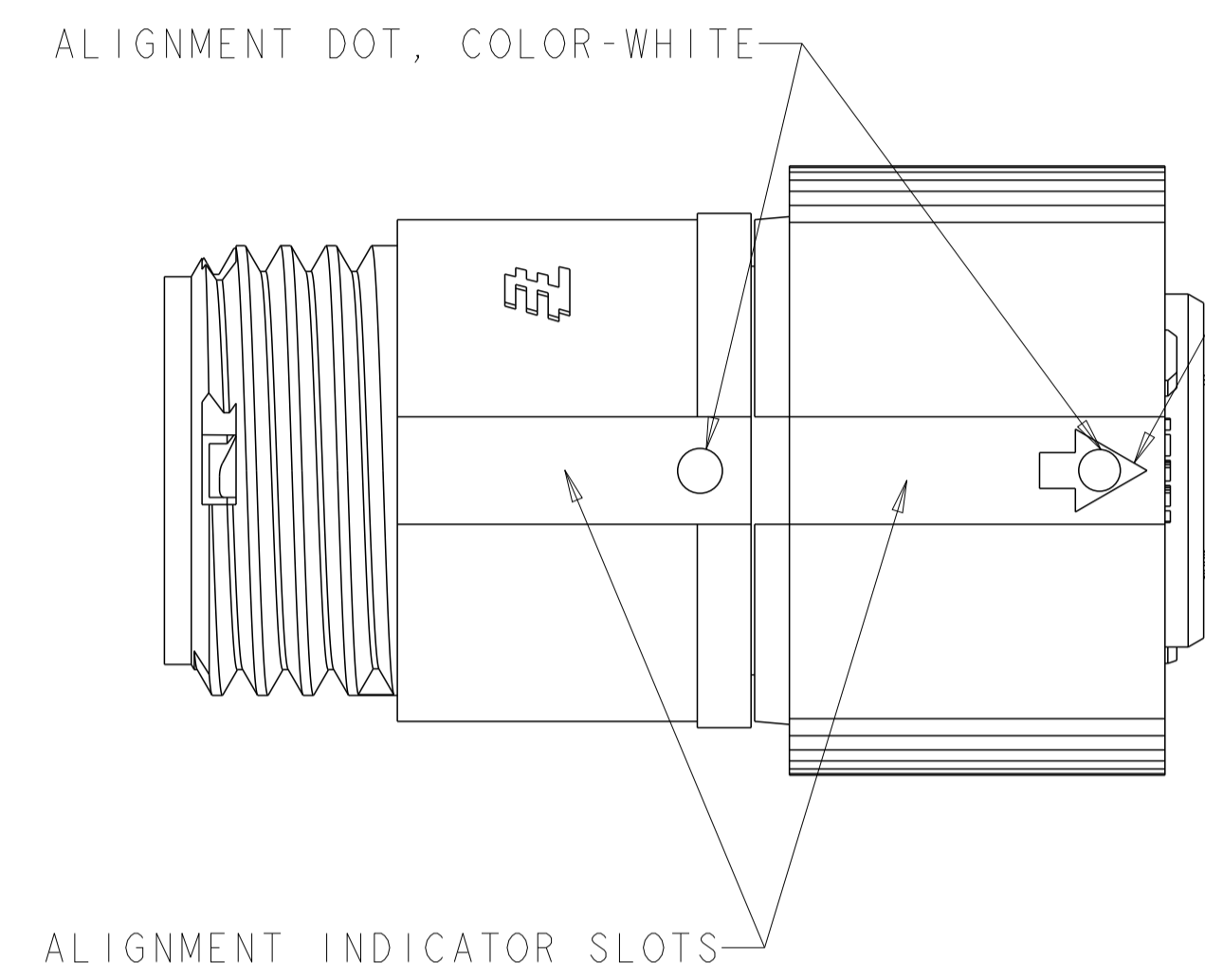


LOC		DIST		REVISIONS			
FT	0	P	LTN	DESCRIPTION	DATE	DWN	APVD
		B3		REVISED PER ECO-15-010004	13JUL2015	NK	MZ



YELLOW	Ø 0.75	130°	1445535-04
NATURAL	Ø 1.5	115°	1445535-03
NATURAL	Ø 1.5	130°	1445535-02
YELLOW	Ø 0.75	115°	1445535-01
SEAL, WIRE ENTRY COLOR	Ø X REF	K REF	PART NUMBER

THIS DRAWING IS A CONTROLLED DOCUMENT.

DIMENSIONS: mm

TOLERANCES UNLESS OTHERWISE SPECIFIED:

0 PLC	±
1 PLC	±0.5
2 PLC	±0.13
3 PLC	±0.013
4 PLC	±0.001
ANGLES	±
FINISH	SEE CALLOUT

MATERIAL: SEE CALLOUT

APR 07MAY2001
 S. WIEST
 G. DOUITY

APR 12JUN2003
 H. WAKEEM

NAME: ASSEMBLY, PLUG, SIZE 8, 2 POSITION, SEALED, MINI CPC

SIZE: A1 CAGE CODE: 100779 DRAWING NO: 1445535

SCALE: 5:1 SHEET 1 OF 1 REV: B3

CUSTOMER DRAWING

RESTRICTED TO

TE Connectivity