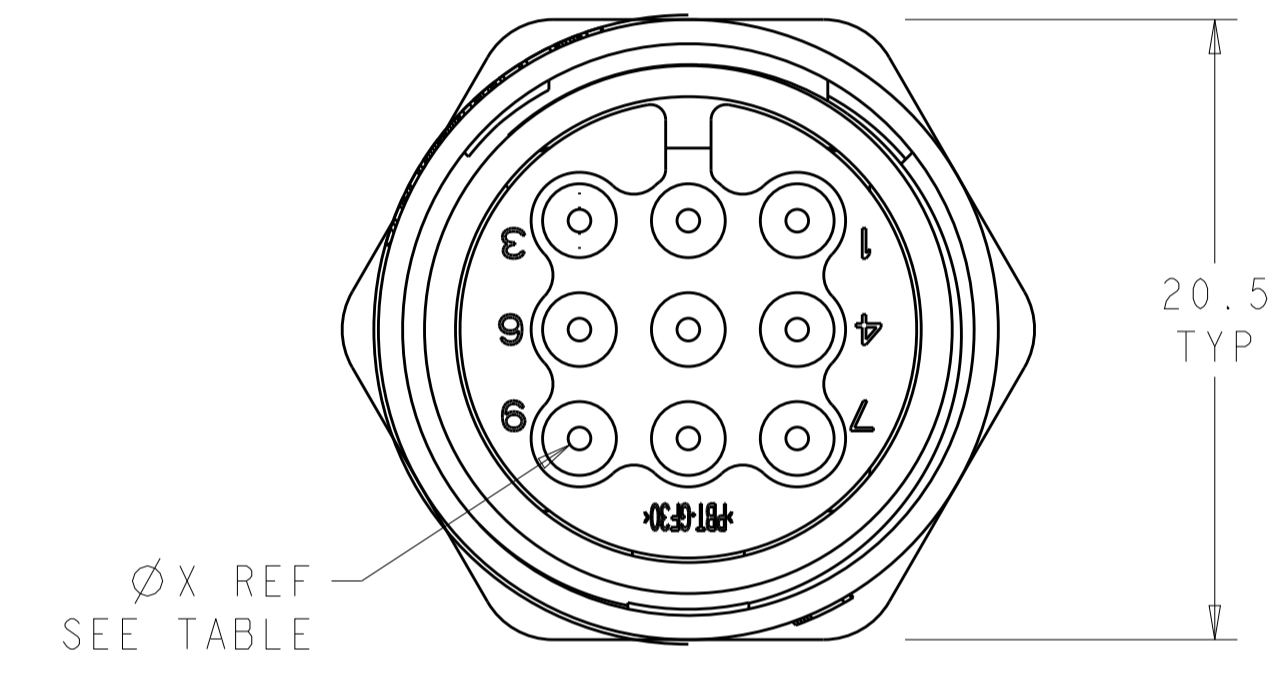
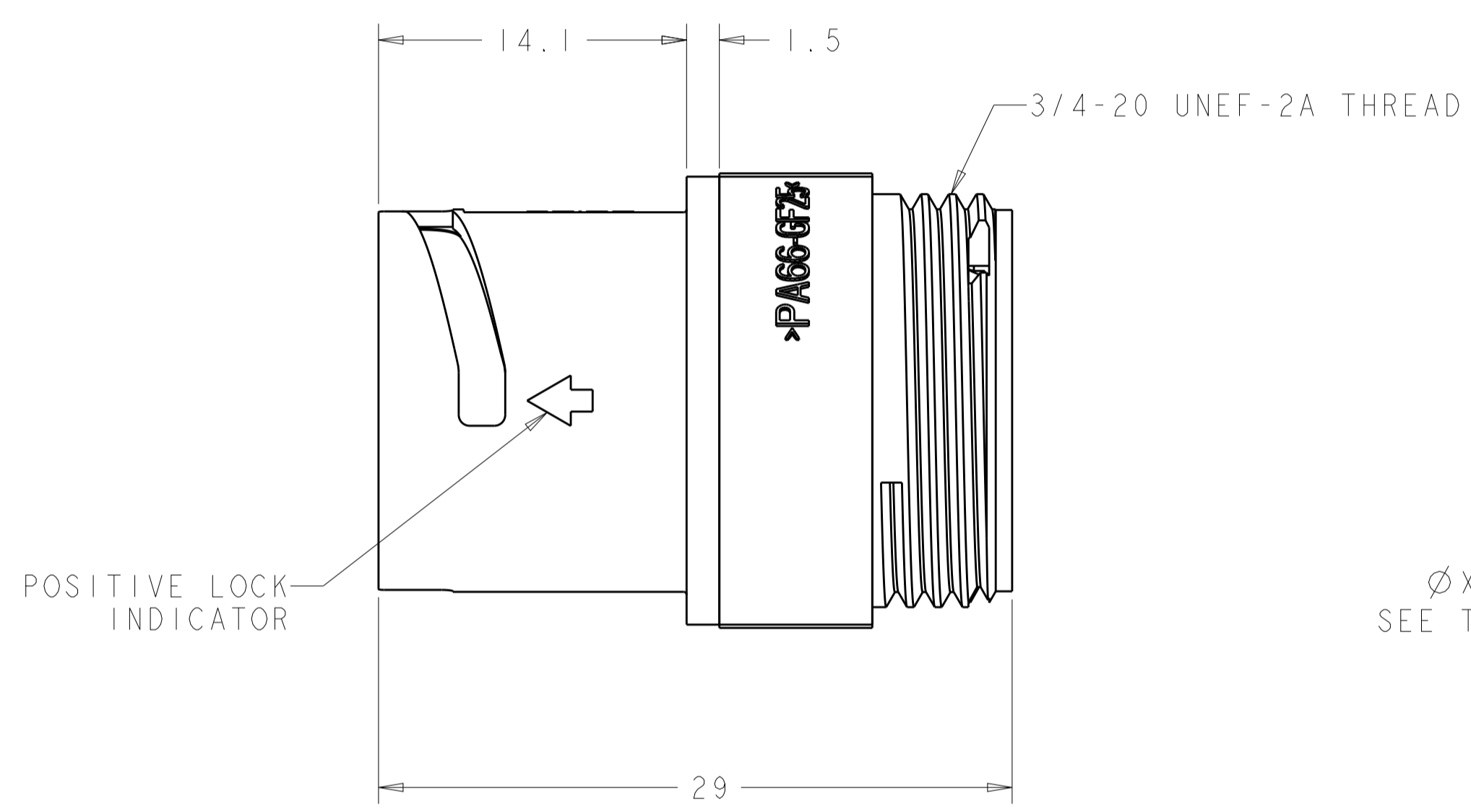
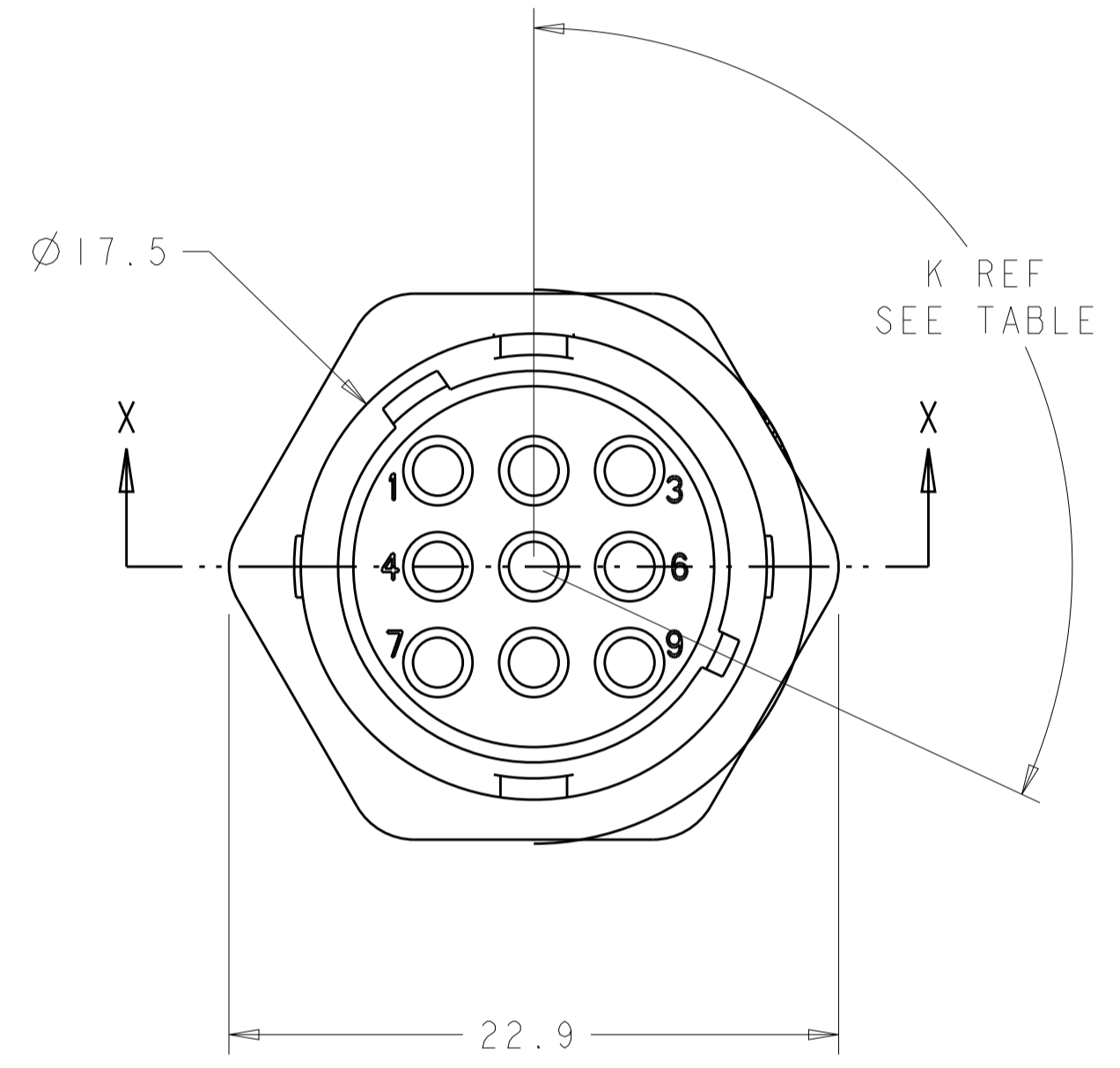
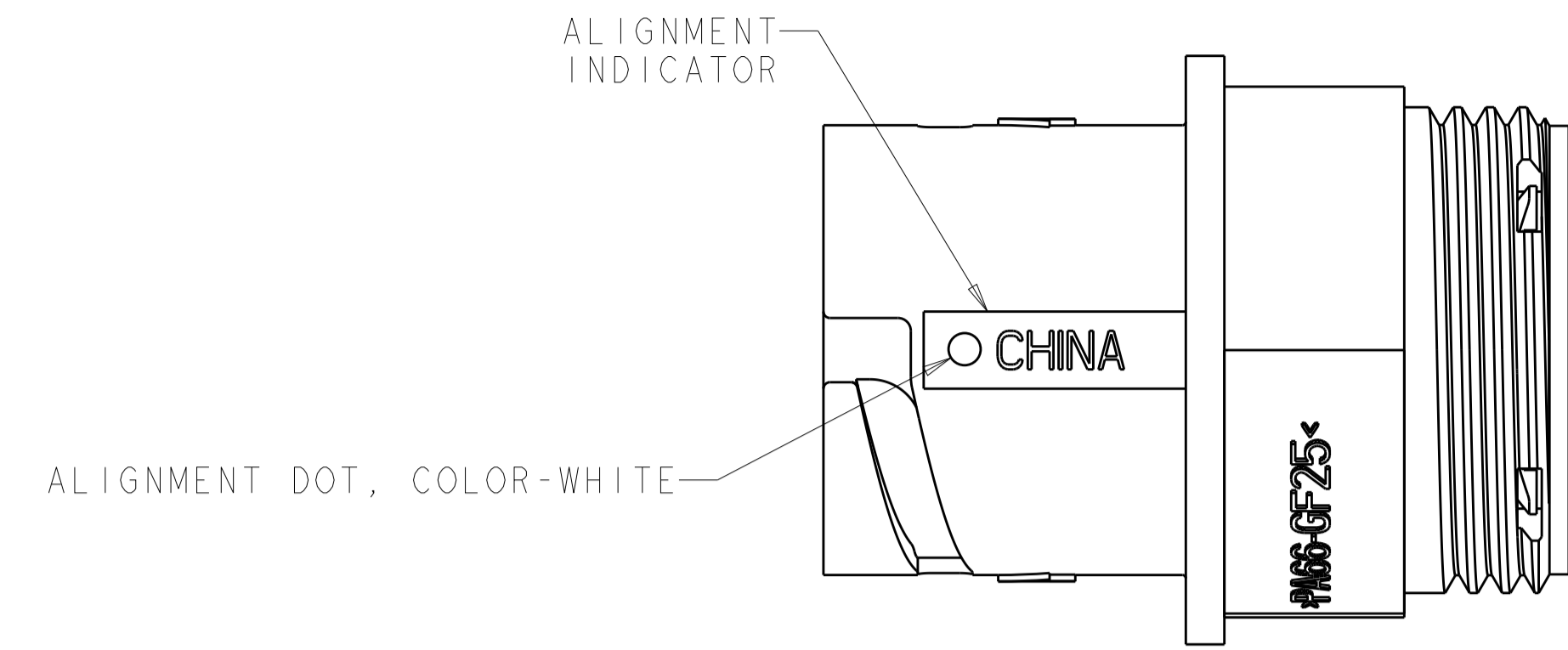
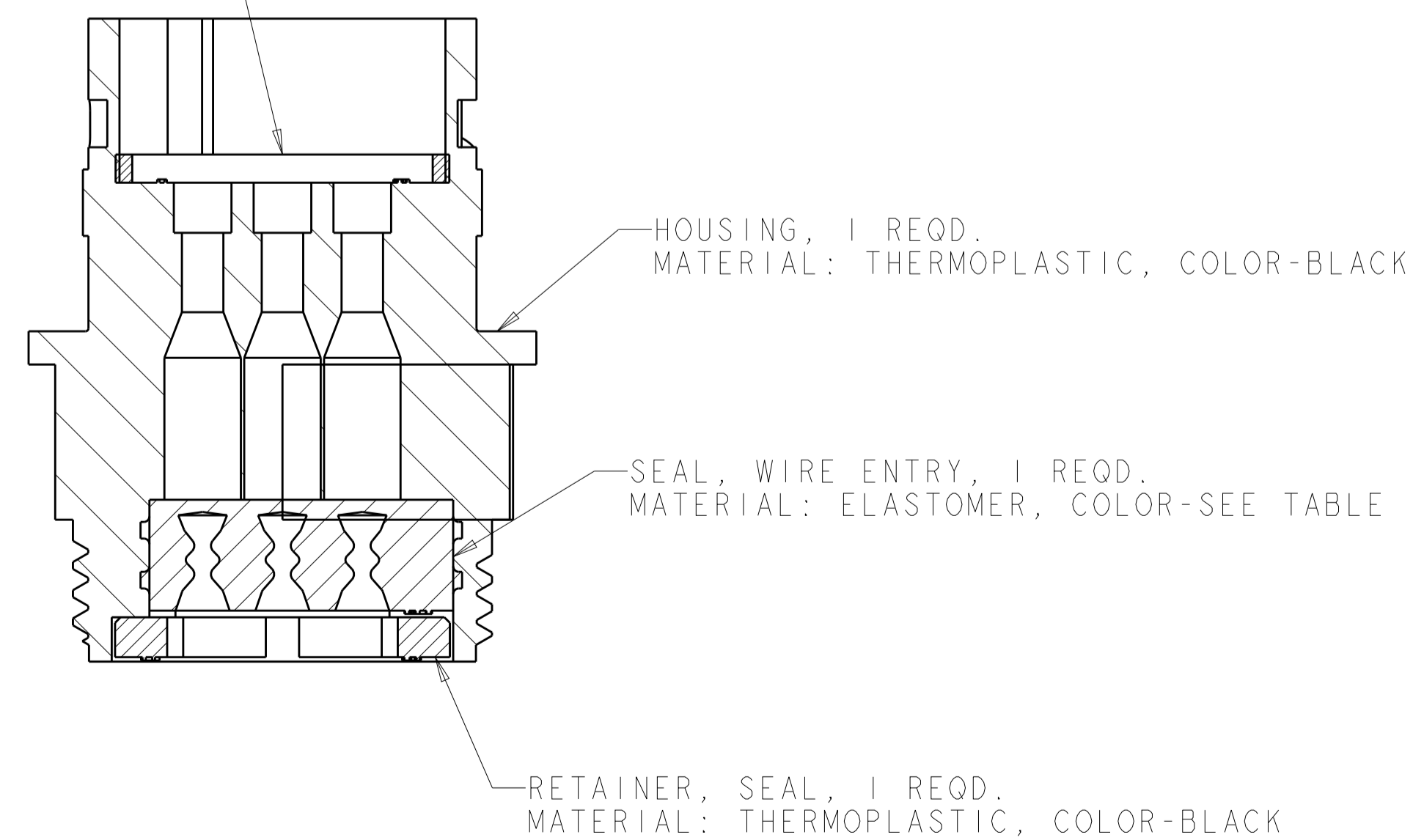


REVISIONS				
P.	LTN	DESCRIPTION	DATE	DWN APVD
B1		REVISED PER ECO-15-010004	11JUL2015	NK MZ



SEAL, PERIPHERAL, I REQD.
 MATERIAL: ELASTOMER, COLOR-GRAY



SECTION X-X

YELLOW	Ø0.75	135°	1445825-04
NATURAL	Ø1.5	115°	1445825-03
NATURAL	Ø1.5	135°	1445825-02
YELLOW	Ø0.75	115°	1445825-01
SEAL, WIRE ENTRY COLOR	ØX REF	K REF	PART NUMBER

THIS DRAWING IS A CONTROLLED DOCUMENT. DWN SHANE WIESE 22OCT2001
 CHK G DOUTY 22OCT2001

STE TE Connectivity

APVD H. WAKEEM 13JUN2003

NAME ASSEMBLY, SIZE 11, 9 POSITION, FREE HANGING, SEALED, MINI CPC

PRODUCT SPEC

APPLICATION SPEC

SIZE CAGE CODE DRAWING NO RESTRICTED TO

A100779C=1445825

MATERIAL SEE CALLOUT

WEIGHT

Customer Drawing

SCALE 4:1 SHEET 1 OF 1 REV B1