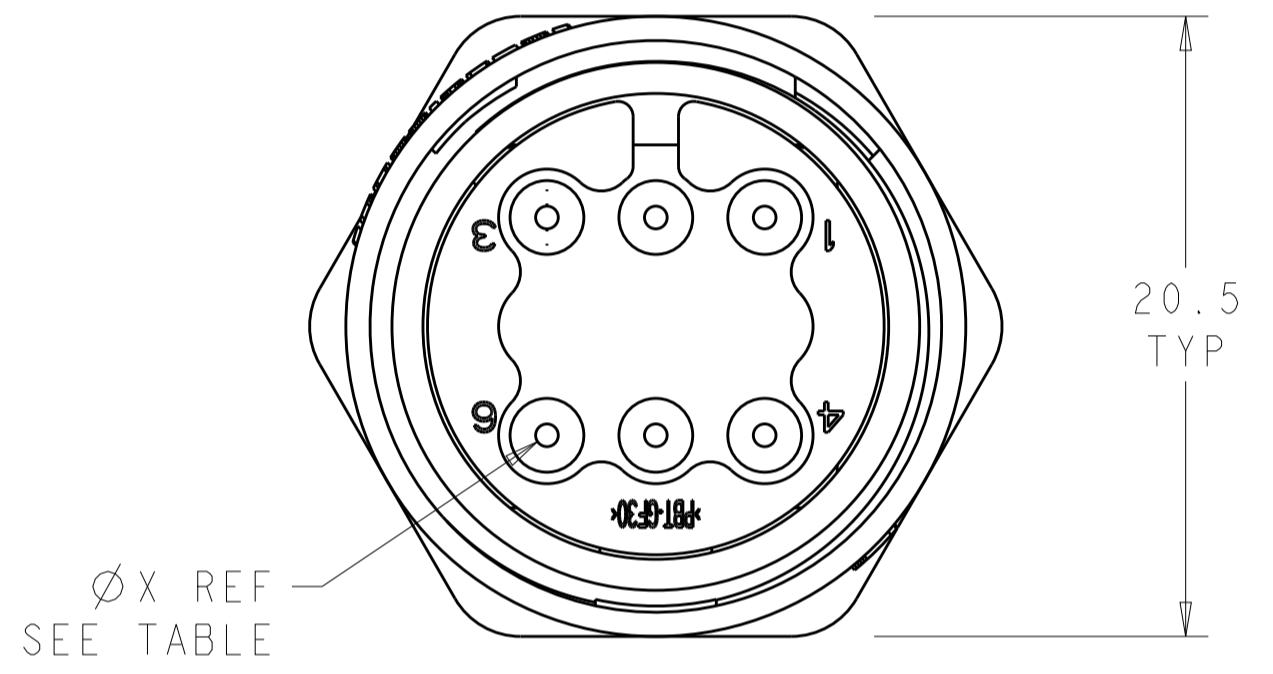
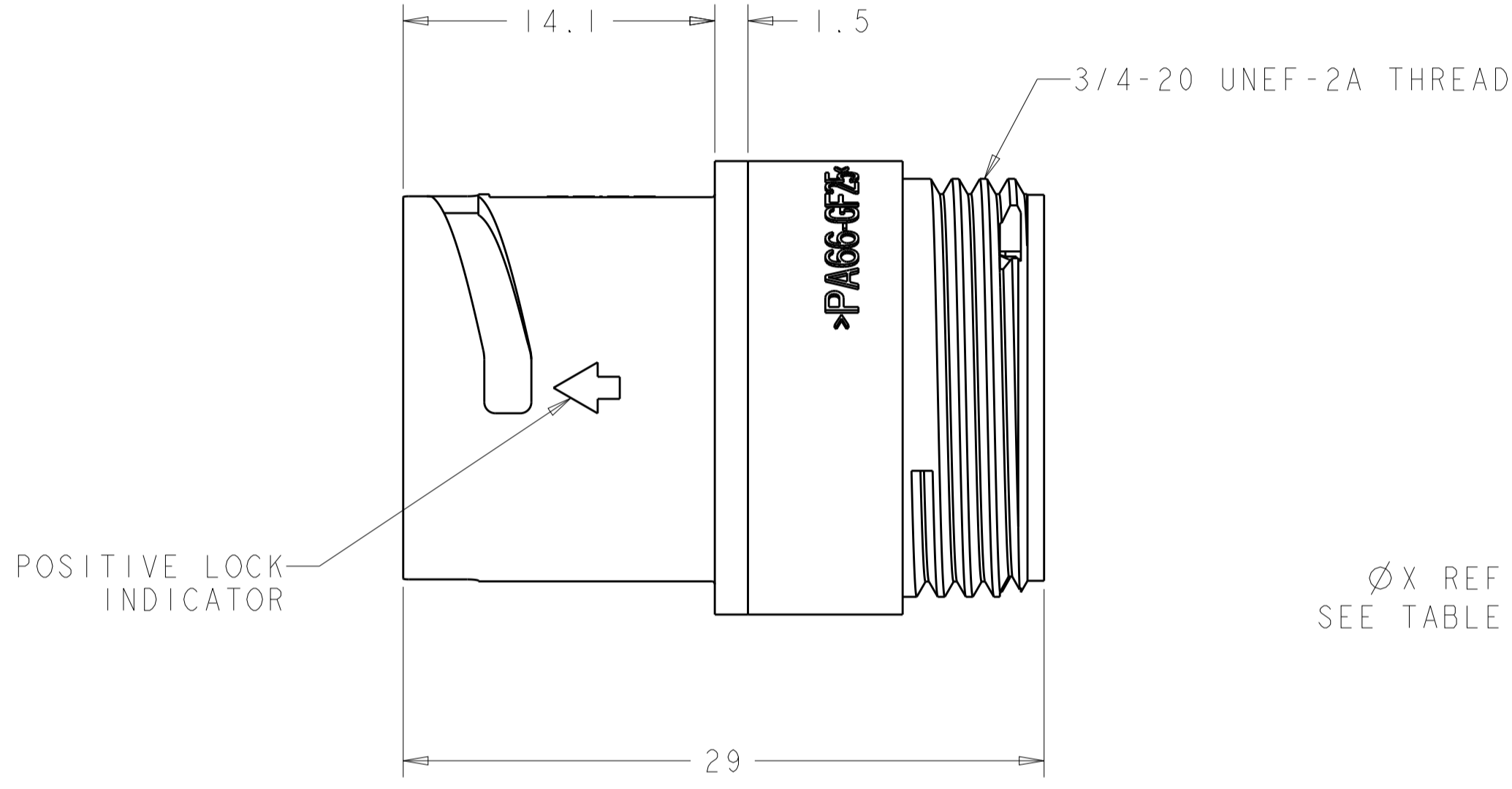
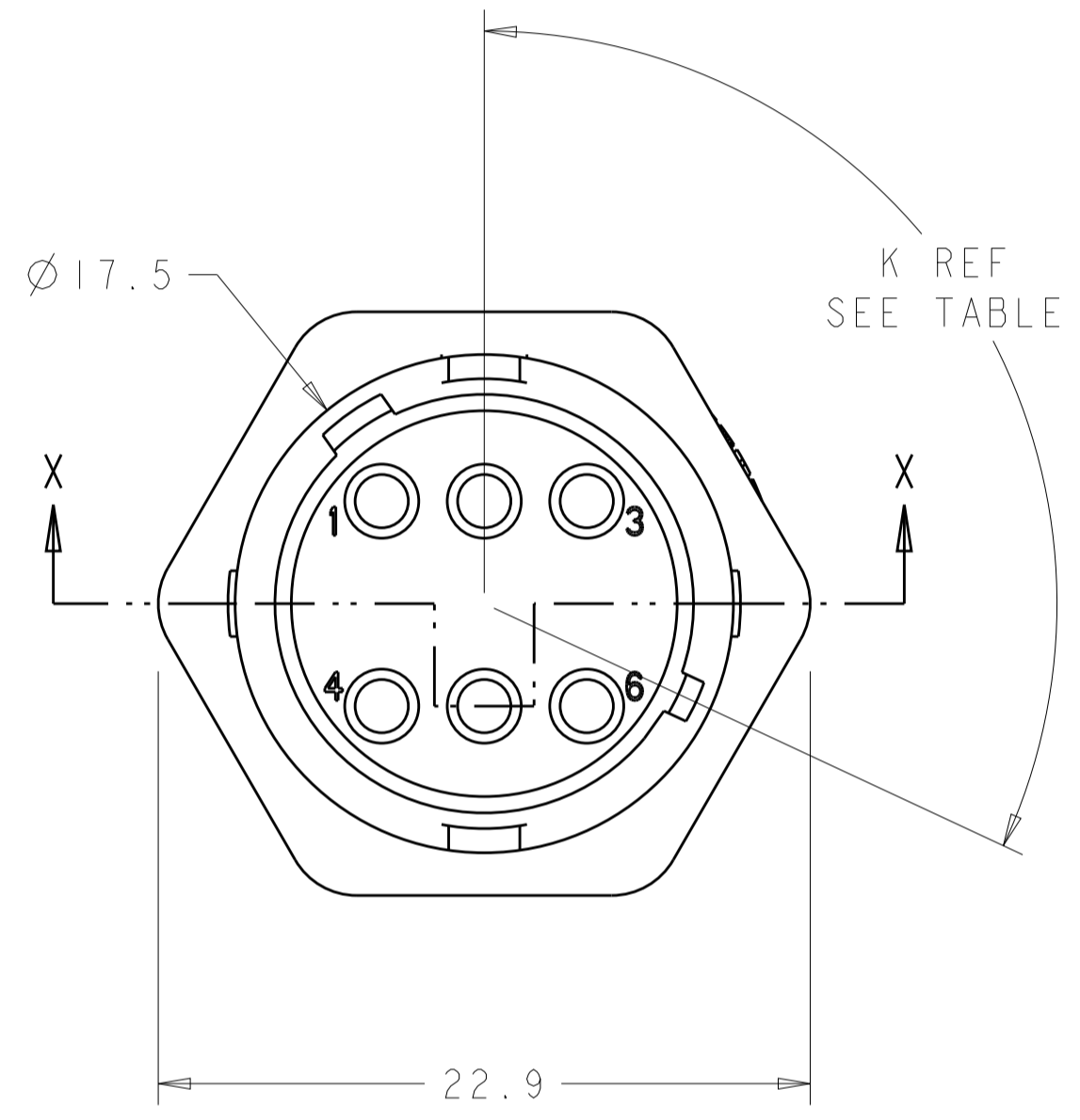
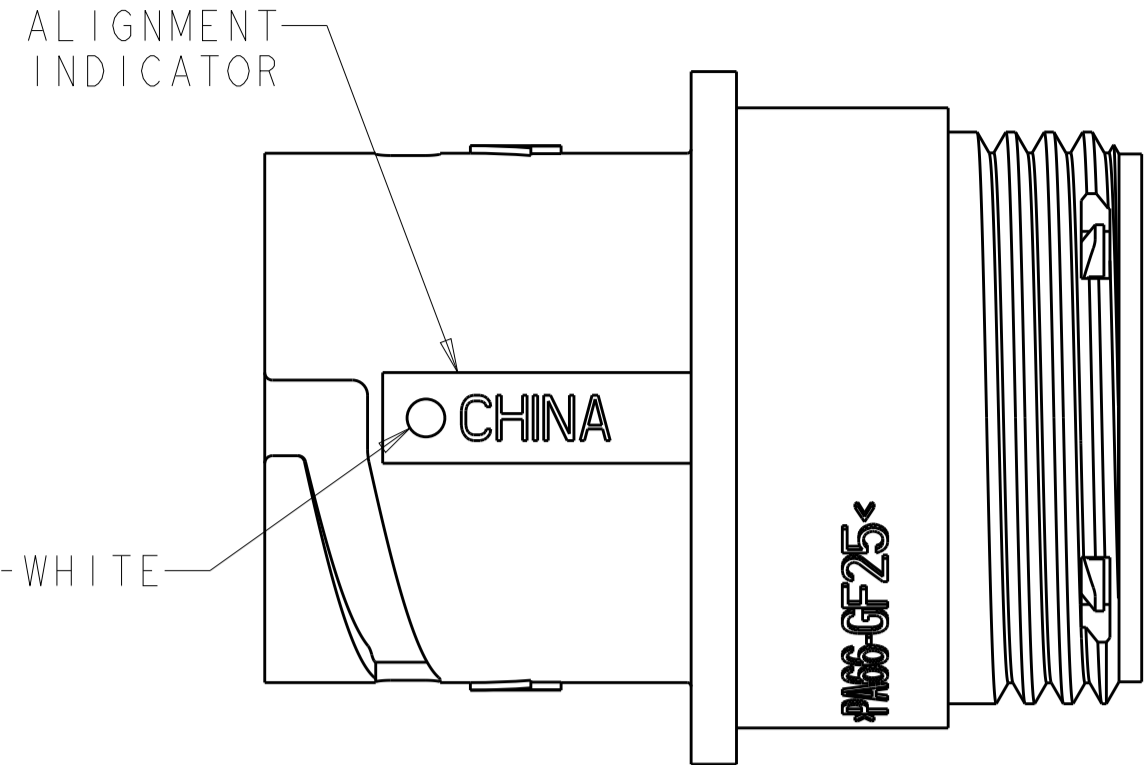
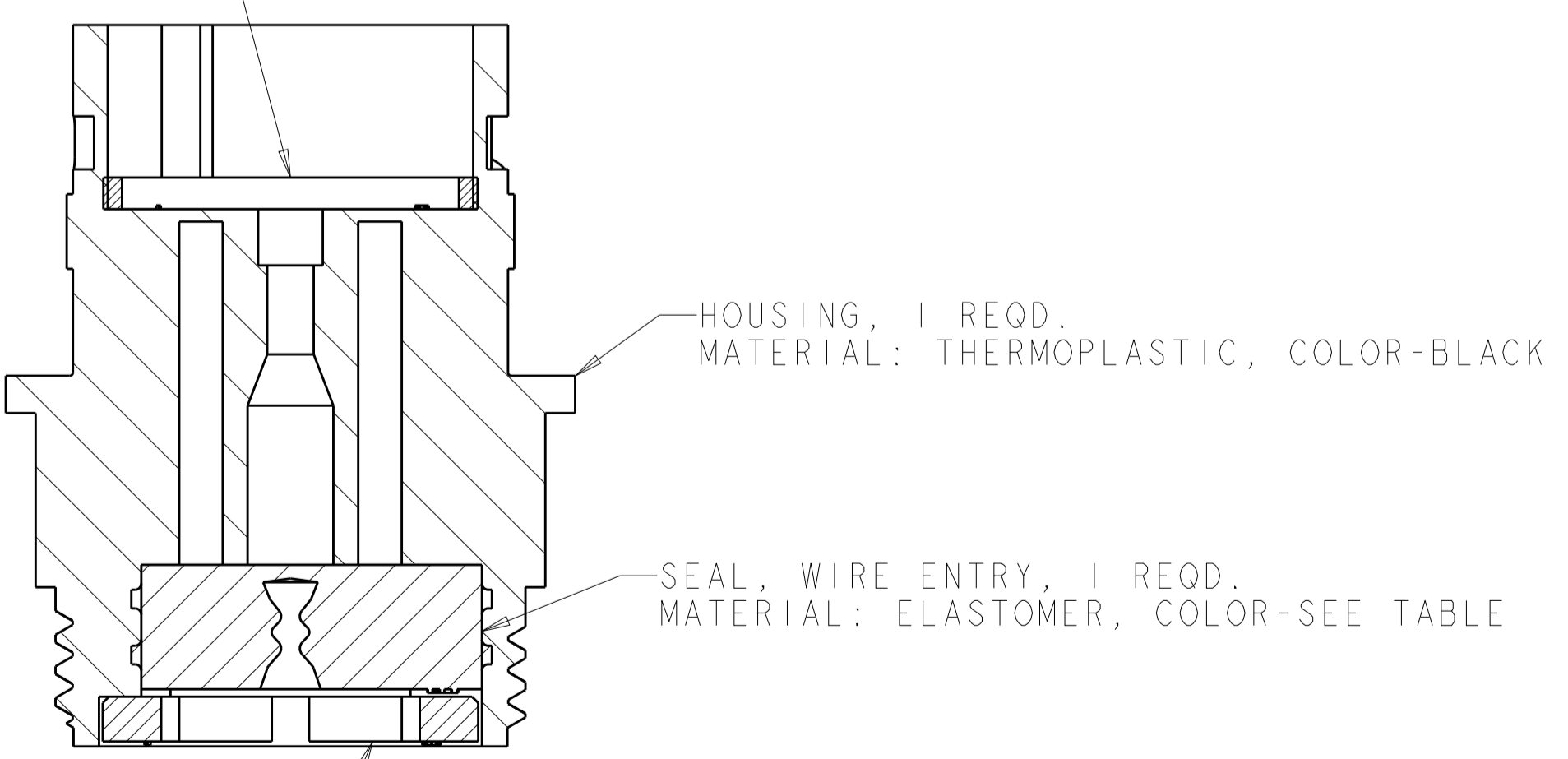


REVISIONS				
P.	LTR.	DESCRIPTION	DATE	APP'D.
B1		REVISED PER ECO-15-010004	11JUL2015	NK MZ



SEAL, PERIPHERAL, 1 REQD.  
 MATERIAL: ELASTOMER, COLOR-GRAY



RETAINER, SEAL, 1 REQD.  
 MATERIAL: THERMOPLASTIC, COLOR-BLACK

SECTION X-X

YELLOW	Ø 0.75	135°	1445828-04
NATURAL	Ø 1.5	115°	1445828-03
NATURAL	Ø 1.5	135°	1445828-02
YELLOW	Ø 0.75	115°	1445828-01
SEAL, WIRE ENTRY COLOR	Ø X REF	K REF	PART NUMBER

THIS DRAWING IS A CONTROLLED DOCUMENT.		OWN: SHANE WIESE 22OCT2001	TE Connectivity
DIMENSIONS: mm		CHK: G DOUTY 22OCT2001	
TOLERANCES UNLESS OTHERWISE SPECIFIED:		APP'D: H. WAKEEM 13JUN2003	NAME: ASSEMBLY, SIZE 11, 6 POSITION, FREE HANGING, SEALED, MINI CPC
0 PLC ±	1 PLC ±	PRODUCT SPEC	SIZE: CAGE CODE DRAWING NO
2 PLC ±0.13	3 PLC ±	APPLICATION SPEC	RESTRICTED TO
4 PLC ±	ANGLES ±	WEIGHT	A100779C=1445828
FINISH		CUSTOMER DRAWING	SCALE 4:1 SHEET 1 OF 1 REV B1