

THIS DRAWING IS UNPUBLISHED.

RELEASED FOR PUBLICATION

20

© COPYRIGHT 20 BY TE CONNECTIVITY

ALL RIGHTS RESERVED.

LOC

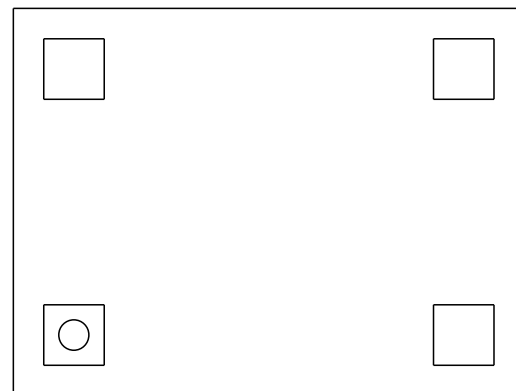
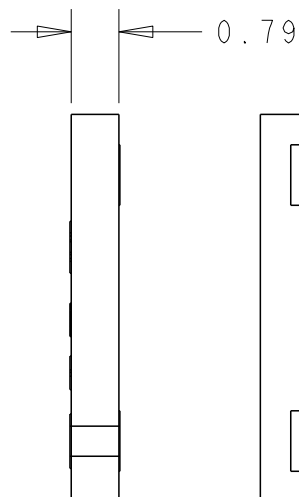
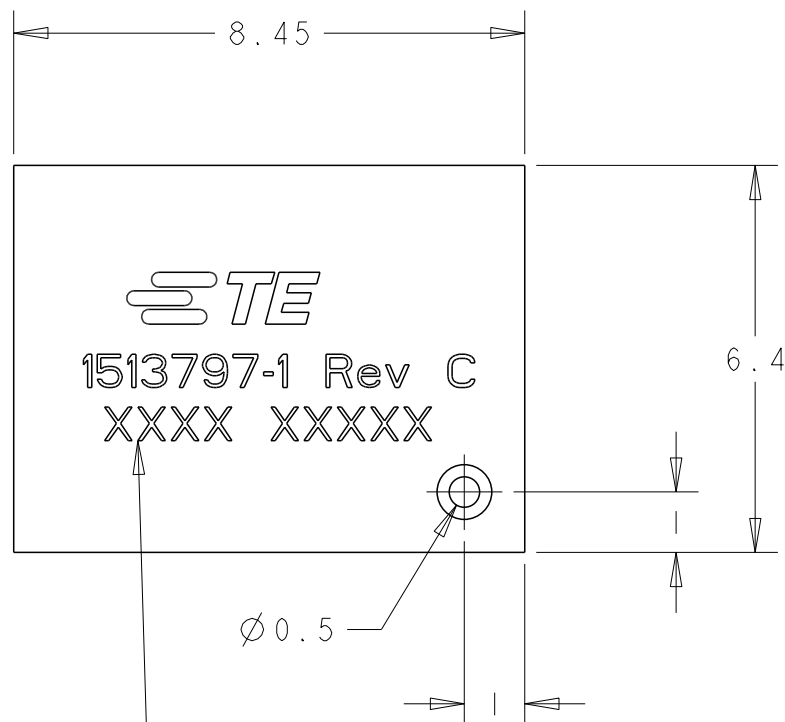
DIST

REVISIONS

HQ

00

P	LTR	DESCRIPTION	DATE	DWN	APVD
	B1	REV PER ECO 12-016455	12SEP2012	DW	GG
	C	REVISED PER ECO-16-016598	17NOV2016	JPS	JLM



1513797-2 AS SHOWN

4 DIGIT DATE CODE AND TE VENDOR SOURCE CODE

NOTES: UNLESS OTHERWISE SPECIFIED.

- FABRICATE TO MEET IPC - 6012, CLASS 2. INSPECT TO MEET IPC - A - 600, CLASS 2.
- PRIMARY SIDE AND SECONDARY SIDES SHOWN.
- MATERIAL: GETEK 4 PLY (7628) .71mm THK. P/N ML200D, 1/2 OZ. COPPER BOTH SIDES.. DIELECTRIC CONSTANT @ 1MHz 4.2 ± 0.1.
- FINISH:
A: 1/2 Oz COPPER PLATING
B: SOLDERMASK OVER BARE COPPER (SMOBC).
C: MASK BOTH SIDES OF PCB WITH LPI SOLDERMASK. SOLDERMASK COLOR: NATURAL GREEN.
D. E.N.I.G PLATING
- TOLERANCES: ±0.23
- PACKAGING: SINGULATED PARTS TO BE SECURELY SHRINK WRAPPED, BAGGED OR VACUUM PACKED IN BULK FOR TAPE AND REEL, SEE SHEET 2
- PRODUCT AND PROCESSING MEETS REQUIREMENTS OF TE CONNECTIVITY ENVIROMENTAL STANDARD TEC-138-702.
- CONSULT TYCO ELECTRONICS DATA SHEET DSI513797
- CONTACT TYCO ELECTRONICS ENGINEERING PRIOR TO DESIGNING INTO AN APPLICATION

FOR TAPE AND REEL PACKAGING, ORDER P/N 1513797-1
 FOR BULK PACKAGING, ORDER P/N 1513797-2

THIS DRAWING IS A CONTROLLED DOCUMENT.		DWN DJL	19MAY2008		
DIMENSIONS: mm		CHK	-		
TOLERANCES UNLESS OTHERWISE SPECIFIED:		APVD	-	NAME 2.4 GHz PCB Antenna Packaged	
0 PLC ±-		PRODUCT SPEC	-	-	
1 PLC ±-		APPLICATION SPEC	-	-	
2 PLC ±-		SIZE	A300779	CAGE CODE	C-1513797
3 PLC ±-		WEIGHT	-	DRAWING NO	-
4 PLC ±-		CUSTOMER DRAWING		RESTRICTED TO	-
ANGLES ±-		SCALE 8:1		SHEET 1 OF 2	REV C
FINISH -					

THIS DRAWING IS UNPUBLISHED.

RELEASED FOR PUBLICATION

20

© COPYRIGHT 20 BY TE CONNECTIVITY

ALL RIGHTS RESERVED.

LOC
HQ

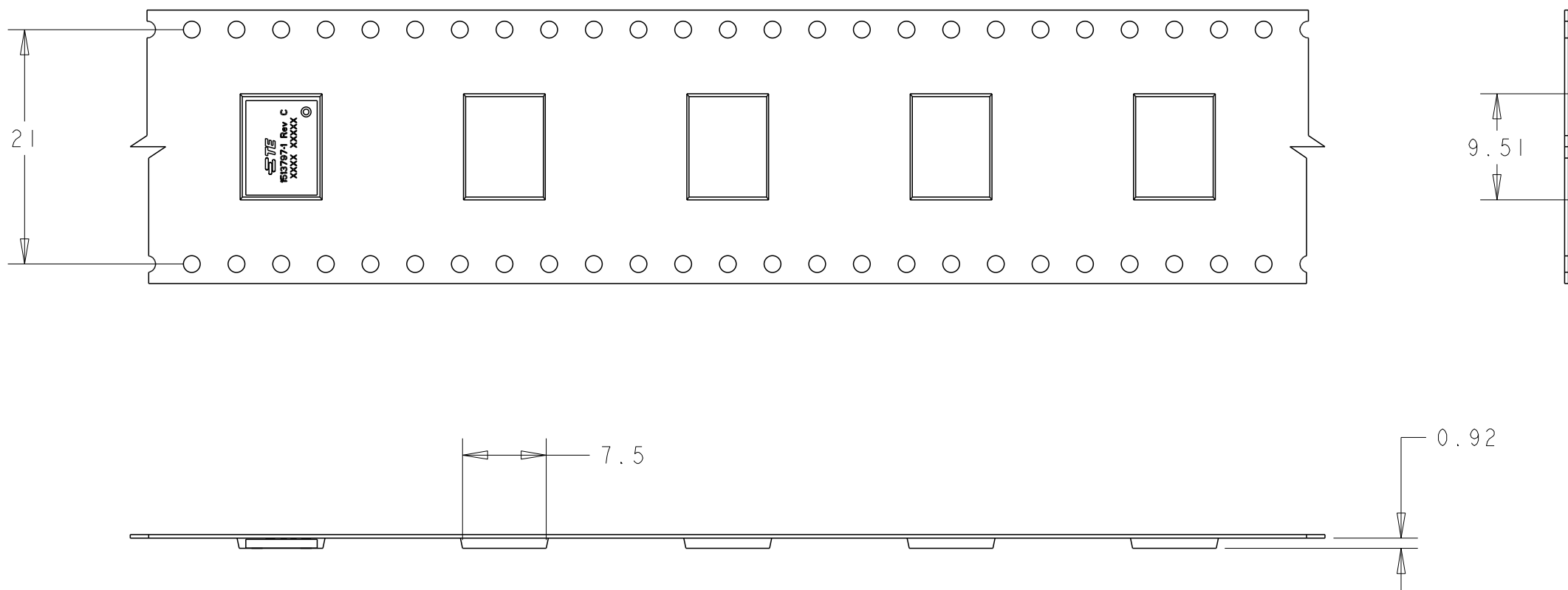
DIST
00

REVISIONS


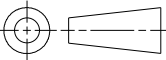
P	LTR	DESCRIPTION	DATE	DWN	APVD
	-	SEE SHEET 1	-	-	-

NOTES: UNLESS OTHERWISE SPECIFIED.

1. MATERIALS FOR CARRIER TAPE TO BE SELECTED BY SUPPLIER AND APPROVED BY TYCO ELECTRONICS.
2. MATERIALS FOR COVER TAPE TO BE SELECTED BY SUPPLIER AND APPROVED BY TYCO ELECTRONICS.
3. PARTS MUST CONFORM TO E.I.A STANDARDS.
4. PARTS ARE COMPLIANT TO RoHS STANDARDS PER TYCO ELECTRONICS STANDARD TEC-138-702



1513797-1 AS SHOWN

THIS DRAWING IS A CONTROLLED DOCUMENT.		DWN DJL	19MAY2008	 TE Connectivity	
DIMENSIONS: mm		CHK -	APVD -		
		TOLERANCES UNLESS OTHERWISE SPECIFIED:		PRODUCT SPEC -	RESTRICTED TO -
MATERIAL -		FINISH -		APPLICATION SPEC -	SIZE A300779
				WEIGHT -	CAGE CODE C=1513797
				DRAWING NO -	
				SCALE 2:1	
				SHEET 2 OF 2	
				REV C	