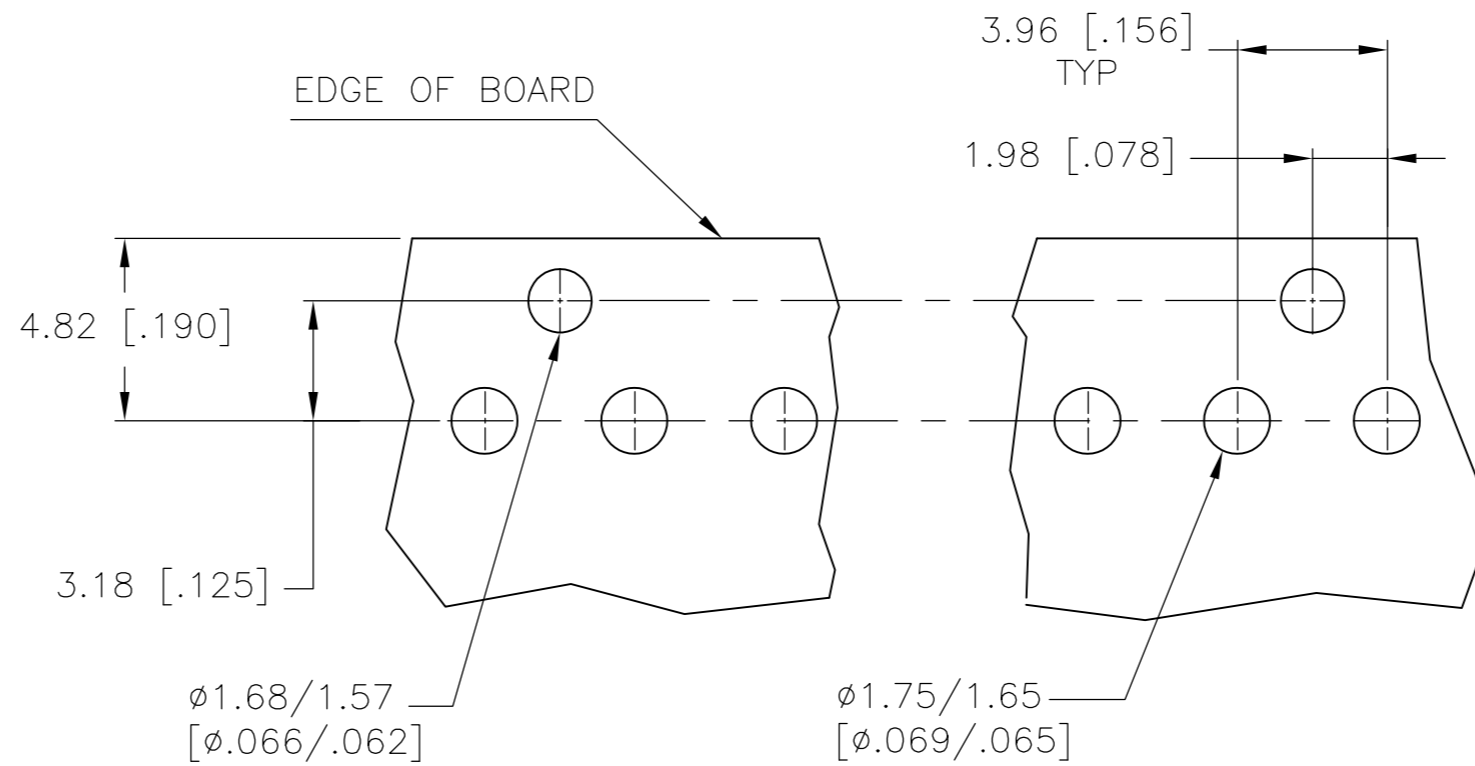
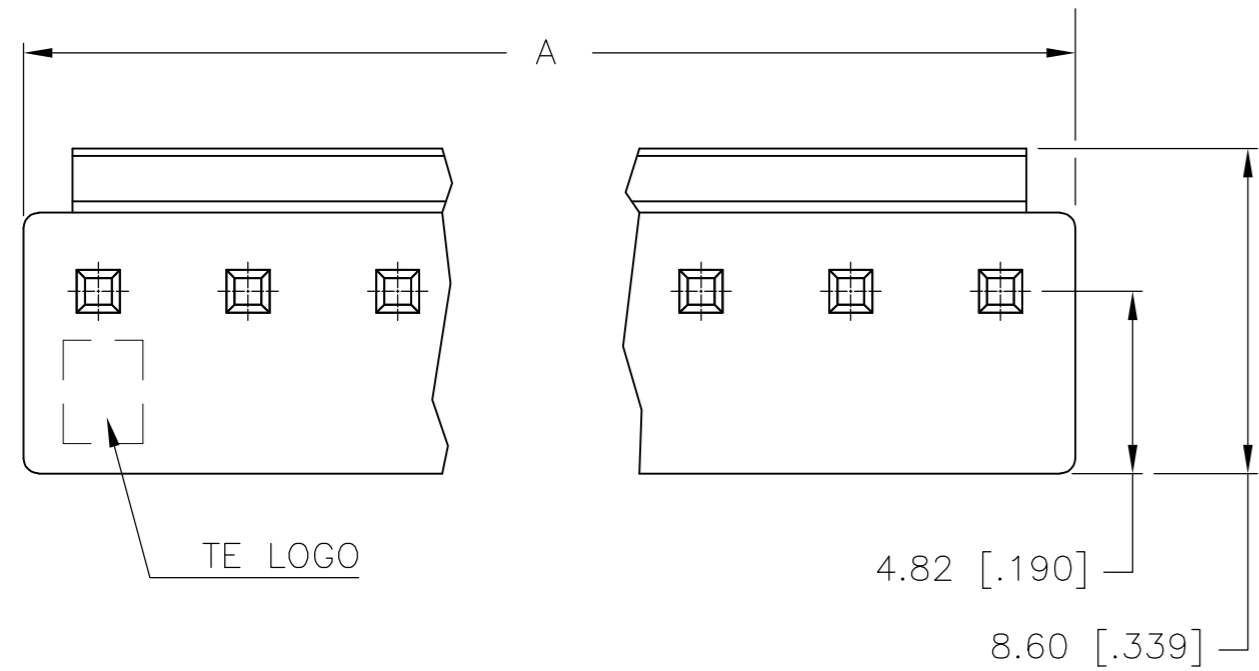


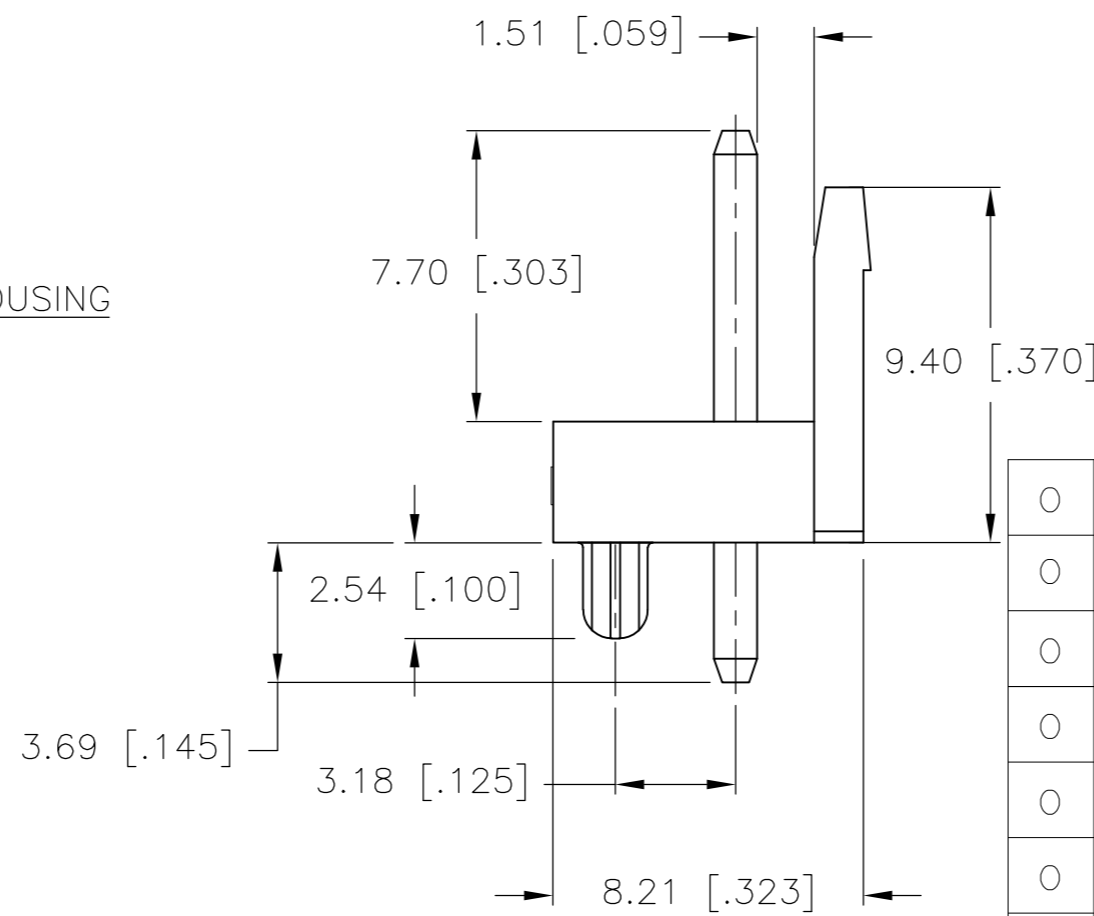
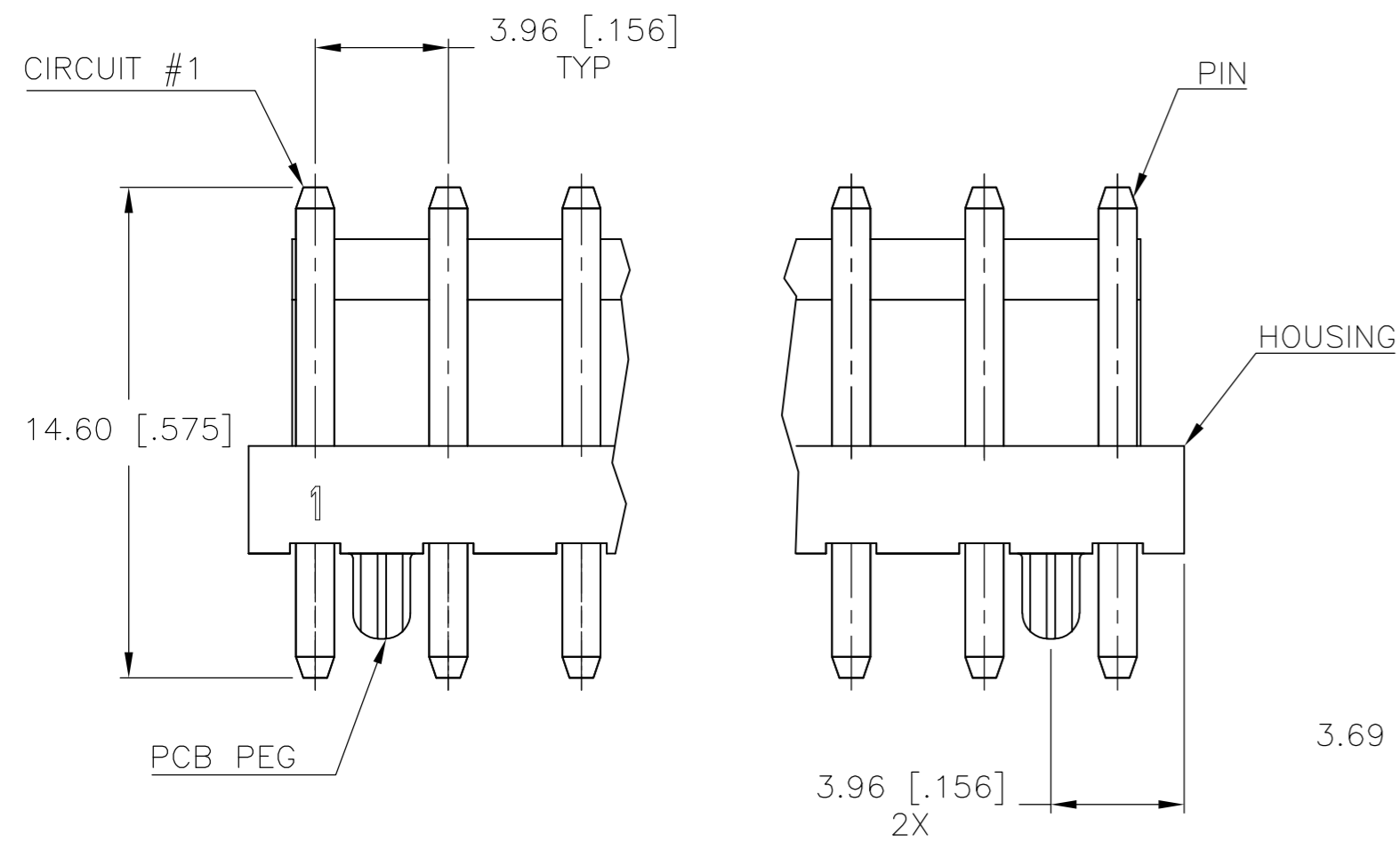
THIS DRAWING IS UNPUBLISHED. RELEASED FOR PUBLICATION  
 © COPYRIGHT By - ALL RIGHTS RESERVED.

REVISIONS				
P	LTR	DESCRIPTION	DATE	APVD
C5		REVISED PER ECR-16-017535	16JAN17	O.C D.Z

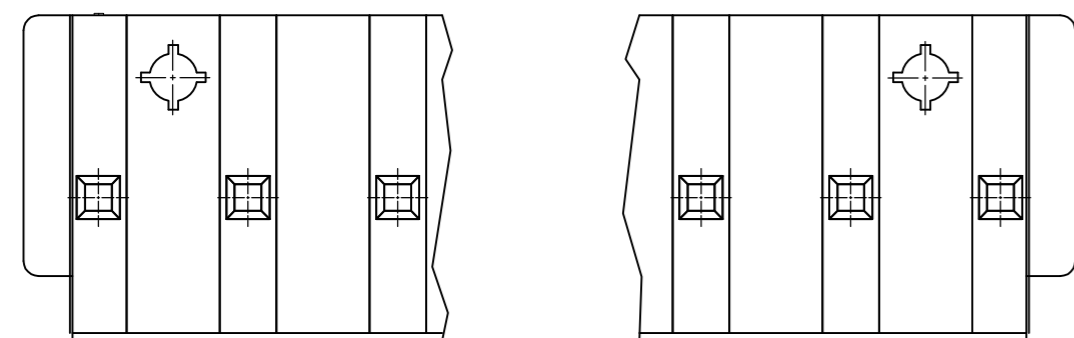


RECOMMENDED MOUNTING HOLE PATTERN FOR 1.60 [.063] THICK PC BOARD

- HOUSING MATERIAL: NYLON, UL94 V0.
  - PIN MATERIAL: BRASS.
  - PIN PLATING: 0.003 [.000120] MIN TIN OVER 0.001 [.000039] NICKEL.
  - 2 POSITION HAS 1 PEG, ALL OTHERS HAVE 2 PEGS.
  - COMPLY WITH GLOW WIRE REQUIREMENTS FOR PARTS OF NON-METALLIC MATERIAL SUPPORTING A CURRENT-CARRYING CONNECTION DETAILED IN IEC 60335-1, SECTION 30(GWT).
  - SKETCHES SHOW NO PINS MISSING.
- 7 "O" WITH PIN  
"X" WITHOUT PIN.



PIN POSITIONS									NO. OF POSITIONS	COLOR	DIM A		PART NUMBER
1	2	3	4	5	6	7	8	9			mm	IN	
0	X	0	0						4	NATURAL	15.84	[0.624]	1-1744429-4
0	X	0	X	0					5	NATURAL	19.80	[0.780]	1-1744429-5
0	X	0							3	NATURAL	11.88	[0.468]	1-1744429-3
0	0	0	0	0	0	0	0	0	9	NATURAL	35.64	[1.403]	1744429-9
0	0	0	0	0	0	0	0		8	NATURAL	31.68	[1.247]	1744429-8
0	0	0	0	0	0	0			7	NATURAL	27.72	[1.091]	1744429-7
0	0	0	0	0	0				6	NATURAL	23.76	[0.935]	1744429-6
0	0	0	0	0					5	NATURAL	19.80	[0.780]	1744429-5
0	0	0	0						4	NATURAL	15.84	[0.624]	1744429-4
0	0	0							3	NATURAL	11.88	[0.468]	1744429-3
0	0								2	NATURAL	7.92	[0.312]	1744429-2



THIS DRAWING IS A CONTROLLED DOCUMENT.

DWN JR RUTH 09JAN12  
 CHK SAM MACE 09JAN12  
 APVD SAM MACE 09JAN12

DIMENSIONS: mm [INCHES]

TOLERANCES UNLESS OTHERWISE SPECIFIED:  
 0 PLC ±  
 1 PLC ± 0.5 [.020]  
 2 PLC ± 0.30 [.012]  
 3 PLC ± -  
 4 PLC ±  
 ANGLES ±  
 FINISH ±

MATERIAL SEE NOTES

WEIGHT

CUSTOMER DRAWING

NAME: 108-5609

APPLICATION SPEC

SIZE: A2 CAGE CODE: 00779 DRAWING NO: C=1744429 RESTRICTED TO: -

SCALE: 5:1 SHEET: 1 of 1 REV: C5

TE Connectivity

HEADER ASSEMBLY-ECONOMY POWER VERTICAL, W/RETENTION PEGS