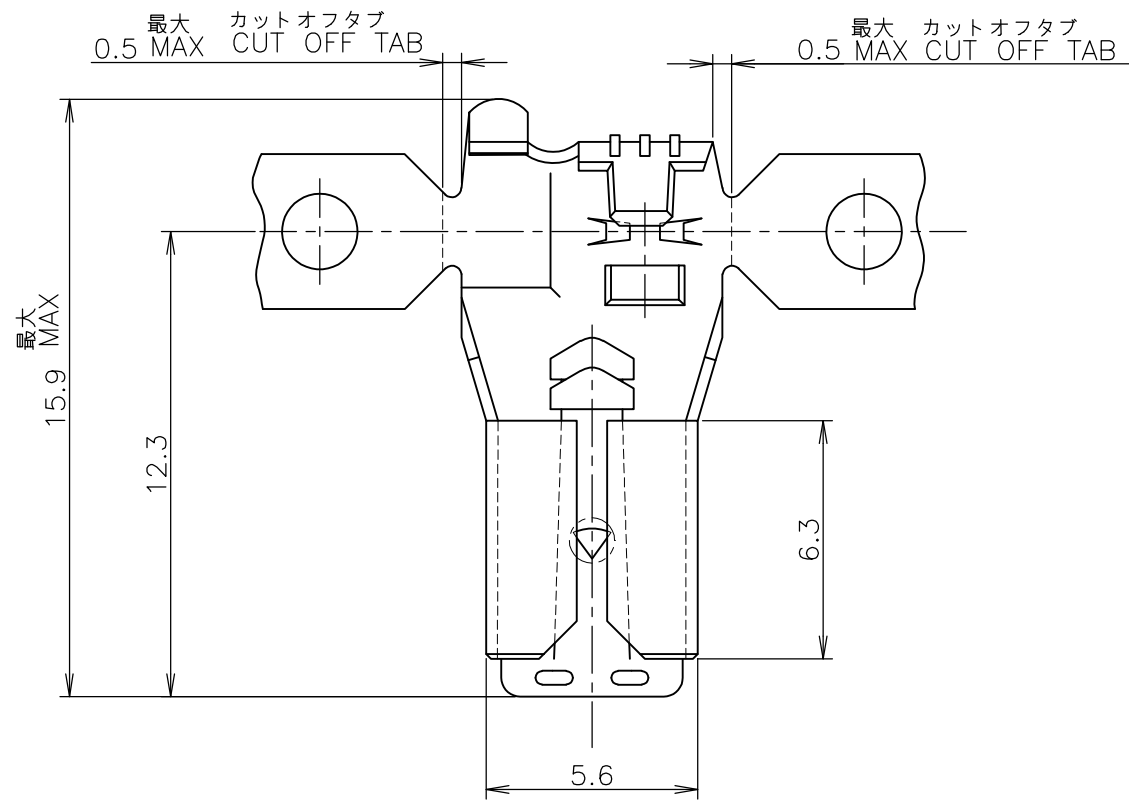


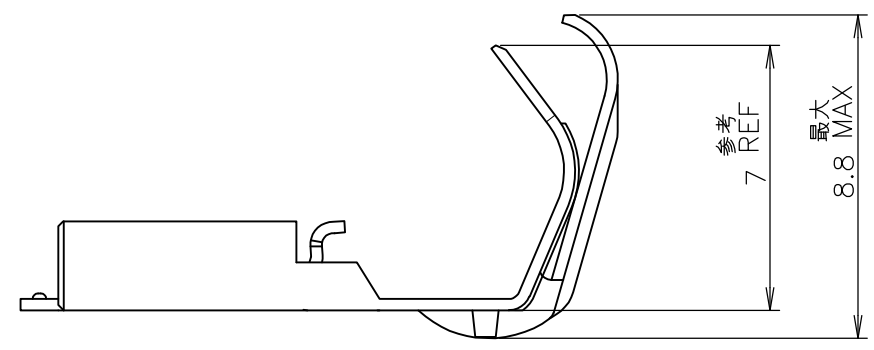
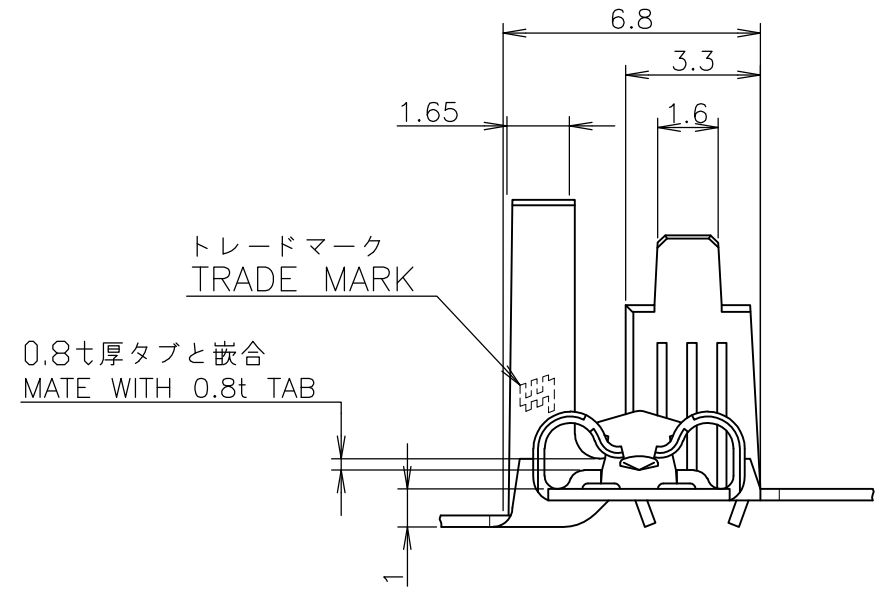
THIS DRAWING IS UNPUBLISHED. RELEASED FOR PUBLICATION DEC ,2001.
 © COPYRIGHT 2001 By - ALL RIGHTS RESERVED.

LOC	DIST	REVISIONS 変更			
P	LTR	DESCRIPTION	DATE	DWN	APVD
J	/				
	C1	REVISED PER ECO-11-005030	11MAR11	RK	HMR
	C2	REVISED PER ECR-16-001563	04FEB16	LP	TD



1 SLEEVE P/N *-174816-* IS APPLICABLE
 BUT ONE TOUCH SLEEVE P/N *-178708-* IS NOT APPLICABLE

1 スリーブ型番 *-174816-* は適用可
 但しワンタッチスリーブ型番 *-178708-* は適用不可



BRASS	175193-2
PRE TINNED BRASS 0.3t 錫めっき済み黄銅 0.3t	175193-1
MATERIAL 材質	P/N 型番
WIRE RANGE 抱合電線断面積	AWG #22-#16 0.3~1.42 mm ²
INSULATION DIA 被覆外径	1.5~4.32 mm ϕ

THIS DRAWING IS A CONTROLLED DOCUMENT.		DWN T.HATANO	05DEC2001
DIMENSIONS: 単位: 耗 mm		CHK M.SHINDO	05DEC2001
TOLERANCES UNLESS OTHERWISE SPECIFIED: 一般公差		APVD M.SHINDO	05DEC2001
0 PLC ±		PRODUCT SPEC 製品規格	108-5250
1 PLC ±		APPLICATION SPEC 取付適用規格	114-5118
2 PLC ±		WEIGHT	
3 PLC ±		CUSTOMER DRAWING	
4 PLC ±			
ANGLES ±			
FINISH 仕上			
MATERIAL 表参照 材料 SEE TABLE			

GENERAL TOLERANCE 一般公差
10 ≥ : ±0.2
30 ≥ > 10: ±0.25
100 ≥ > 30: ±0.3
ANGLES: ±3°

STE TE Connectivity			
NAME 名称 187 SERIES FLAG POSITIVE LOCK-EX REC. 0.8 THK TAB 187シリーズ旗型ポジティブロッカーEXリセプタクル 0.8tタブ用			
SIZE	CAGE CODE	DRAWING NO 番号	RESTRICTED TO
A3	00779	C-175193	-
SCALE 尺度 5:1		SHEET 1 OF 1	REV C2