

THIS DRAWING IS UNPUBLISHED. RELEASED FOR PUBLICATION  
 © COPYRIGHT - By - ALL RIGHTS RESERVED.

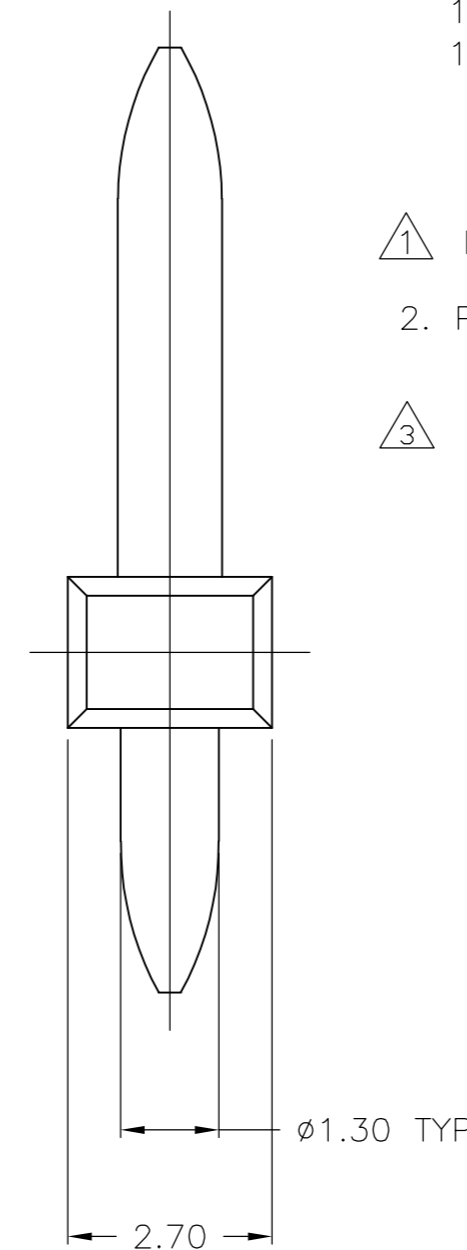
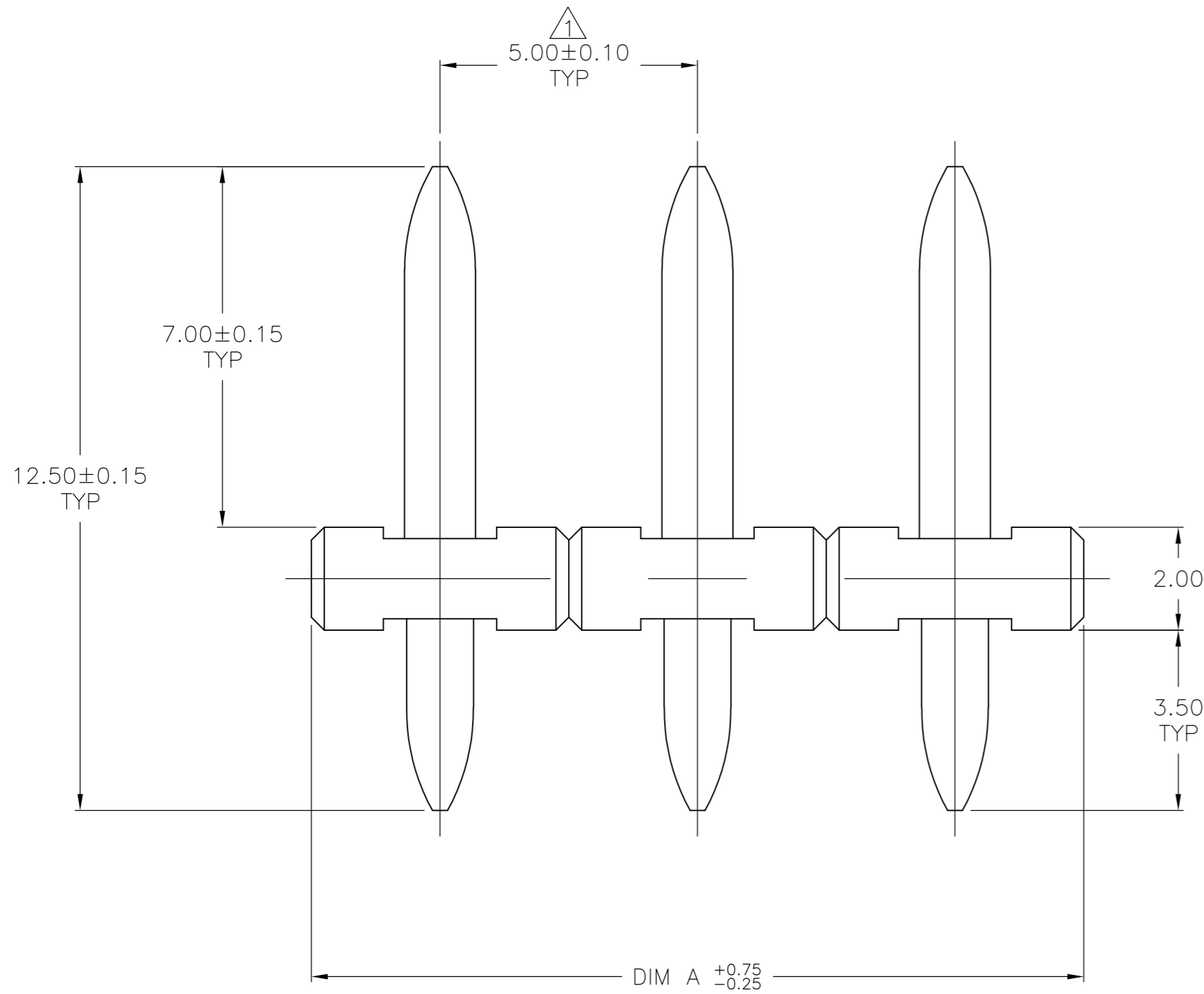
REVISIONS					
P	LTR	DESCRIPTION	DATE	DWN	APVD
A		PCB LAYOUT ADDED HIGH TEMP PHRASE REMOVED	10AUG16	FP	NG

- 1-1. MATERIAL:  
 1-1-1. PINS: BRASS, NICKEL AND TIN PLATED.  
 1-1-2. INSULATOR BODY: PA 6.6, UL94V-0 (STRIP ONLY)(COLOR BLUE)
- 1-2. ELECTRICAL:  
 1-2-1. CURRENT RATING: 10 AMPS/WAY MAX.  
 1-2-2. WITHSTANDING VOLTAGE: 1500 VAC/MIN  
 TEST TIME=60 SEC/1PC  
 1-2-3/ INSULATION RESISTANCE: 5000Mohm /1000V
- 1-3. MECHANICAL:  
 1-3-1. CONTACT RETENTION FORCE: 3 KG/CM (MIN).  
 1-3-2. OPERATING TEMPERATURE: -55°C TO +105°C.  
 1-3-3. SOLDERABILITY: 95% COVERAGE (MIN)  
 TEST TEMPERATURE= 230°C±10°C  
 TEST TIME= 3SEC ± 0.5SEC.

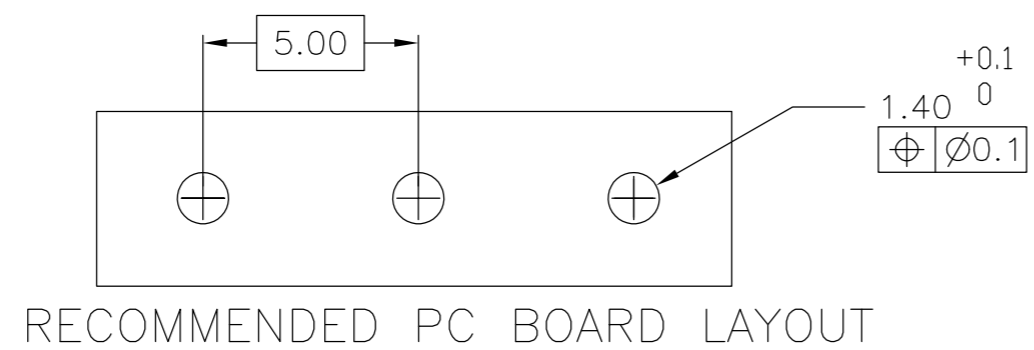
△1 NON CUMULATIVE.

2. PARTS TO BE WAVE SOLDER PROCESS CAPABLE UP TO 265°C FOR 10 SECONDS MAX.

△3 OBSOLETE



△3	120.00(4.724)	24	2-1776489-4
△3	115.00(4.528)	23	2-1776489-3
△3	110.00(4.331)	22	2-1776489-2
△3	105.00(4.134)	21	2-1776489-1
△3	100.00(3.937)	20	2-1776489-0
△3	95.00(3.740)	19	1-1776489-9
△3	90.00(3.543)	18	1-1776489-8
△3	85.00(3.346)	17	1-1776489-7
△3	80.00(3.150)	16	1-1776489-6
△3	75.00(2.953)	15	1-1776489-5
△3	70.00(2.756)	14	1-1776489-4
△3	65.00(2.559)	13	1-1776489-3
△3	60.0(2.362)	12	1-1776489-2
△3	55.00(2.165)	11	1-1776489-1
△3	50.00(1.969)	10	1-1776489-0
△3	45.00(1.772)	9	1776489-9
△3	40.00(1.575)	8	1776489-8
△3	35.00(1.378)	7	1776489-7
△3	30.00(1.181)	6	1776489-6
△3	25.00(.984)	5	1776489-5
	20.00(.787)	4	1776489-4
	15.00(.591)	3	1776489-3
	10.00(.394)	2	1776489-2
	DIM A	NO. OF POSN	PART NUMBER



THIS DRAWING IS A CONTROLLED DOCUMENT.		DWN S SCHLEGEL 5/2/05	<b>STE</b> TE Connectivity	
DIMENSIONS: mm		CHK C RICHARD 5/2/05		
TOLERANCES UNLESS OTHERWISE SPECIFIED:		APVD C RICHARD 5/2/05	NAME	
0 PLC ± -	1 PLC ± 0.3	PRODUCT SPEC	HEADER, STRAIGHT, UNSHROUDED 5.0MM PITCH	
2 PLC ± 0.25	3 PLC ± -	APPLICATION SPEC	SIZE A2	CAGE CODE 00779
4 PLC ± -	ANGLES ± -	WEIGHT 0	DRAWING NO C=1776489	RESTRICTED TO -
MATERIAL -	FINISH -	CUSTOMER DRAWING	SCALE 5:1	SHEET 1 OF 1