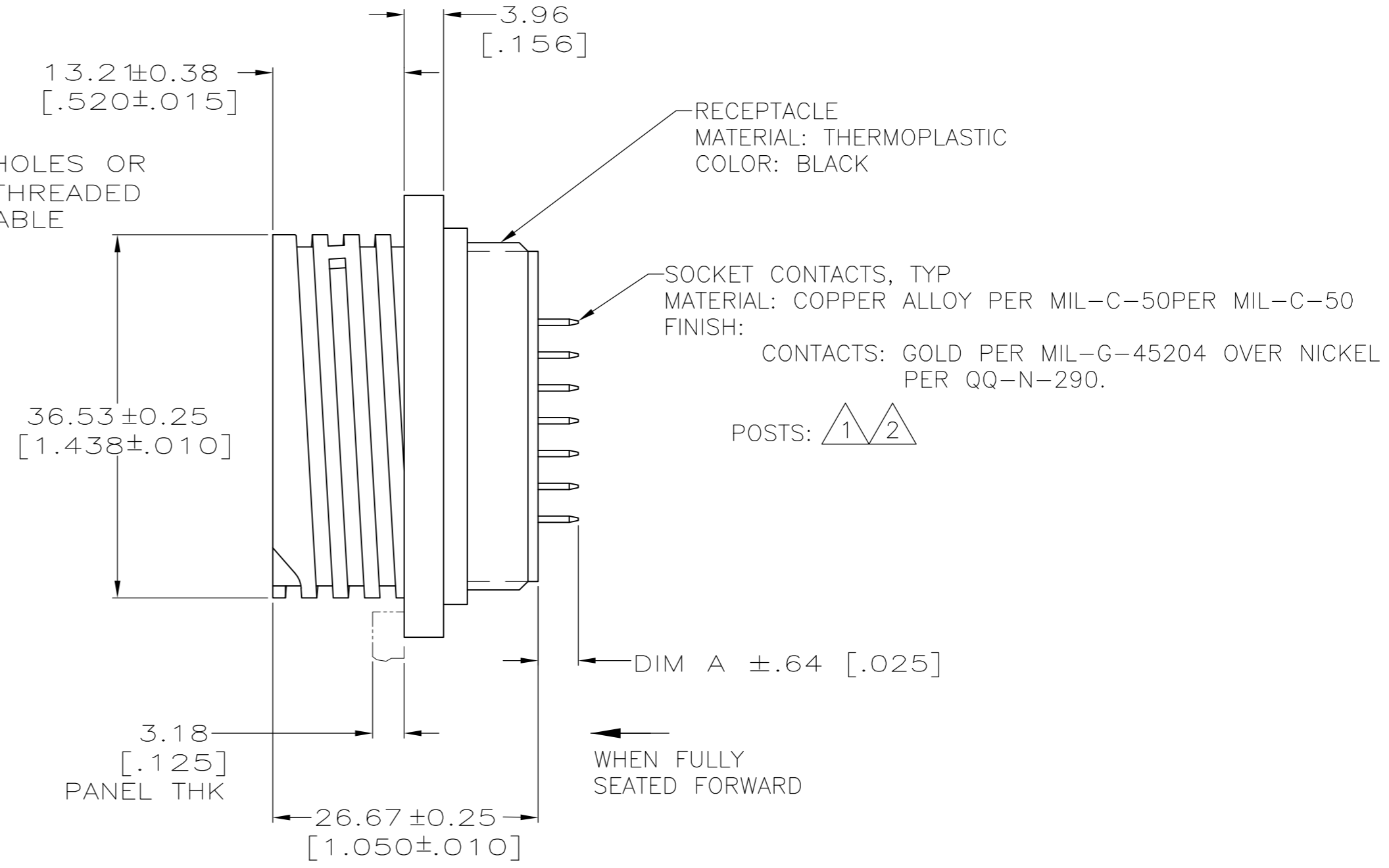
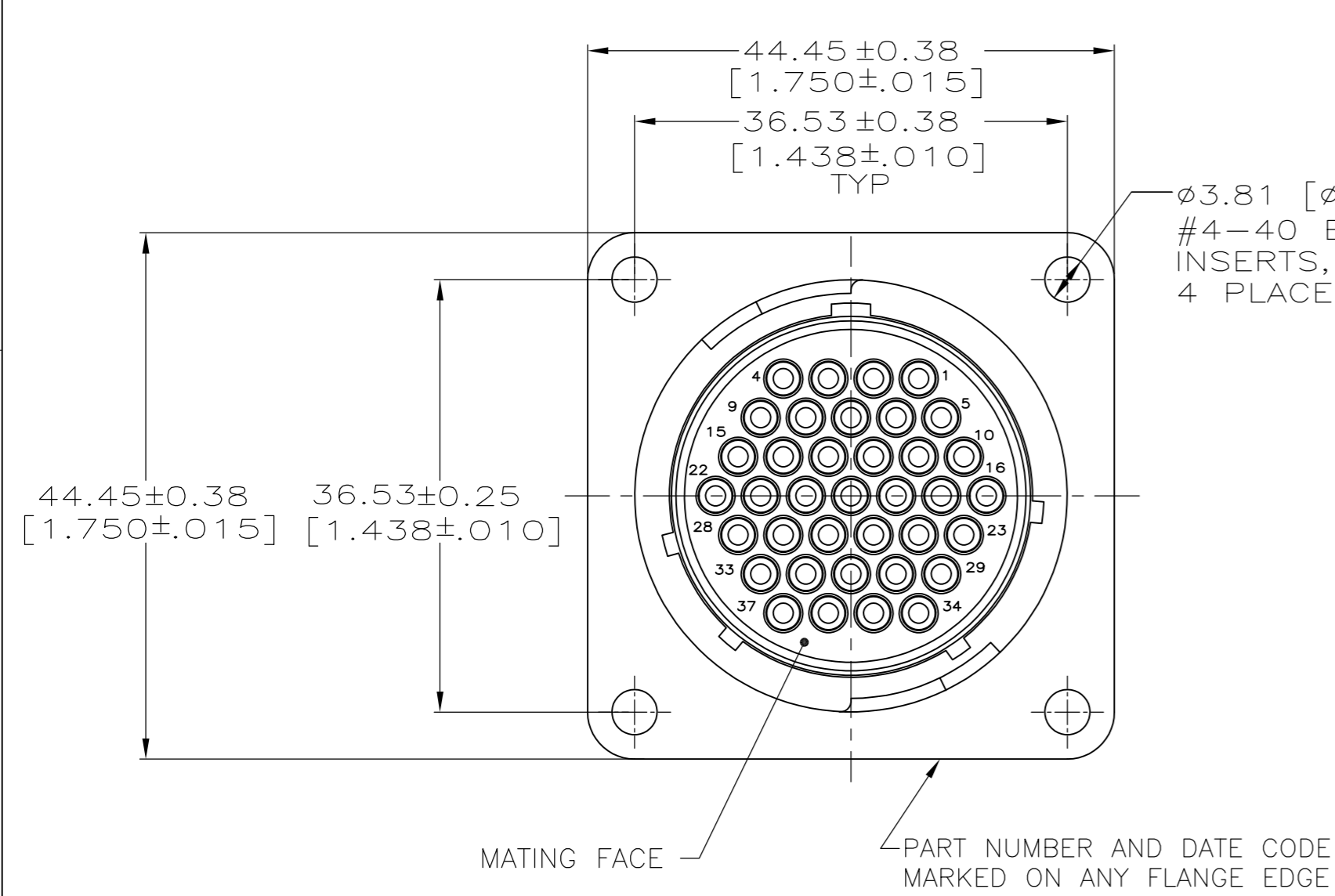
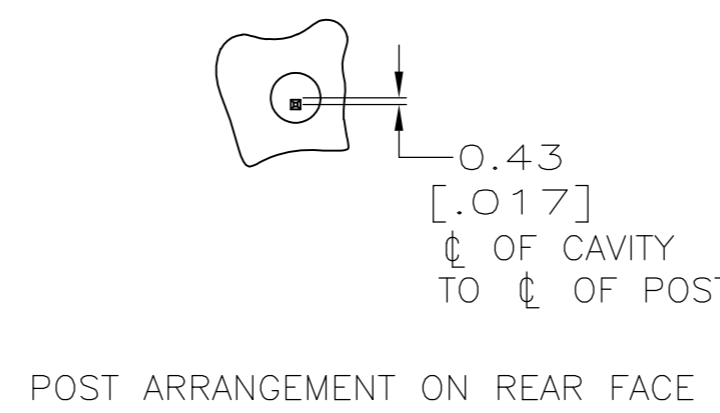
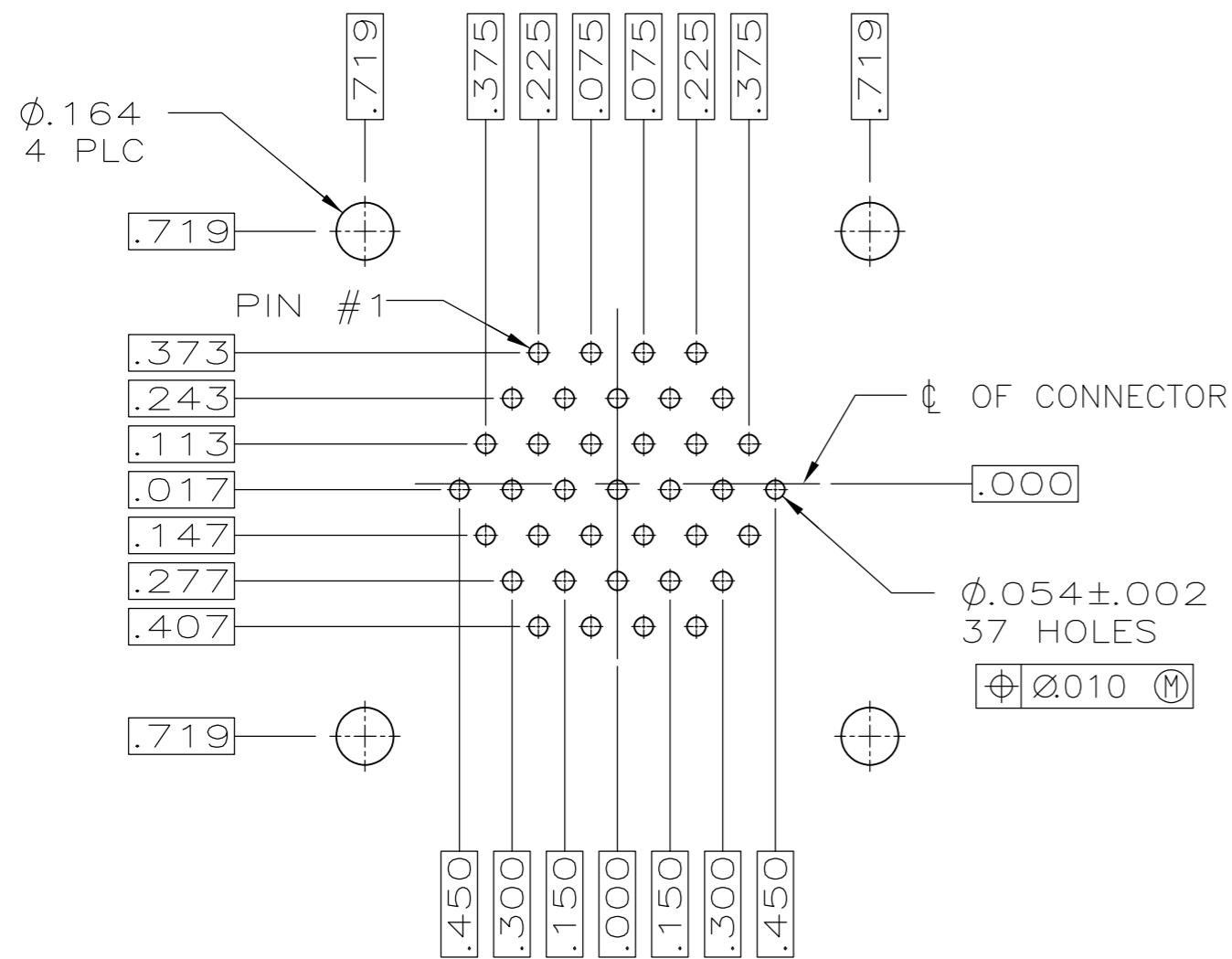


THIS DRAWING IS UNPUBLISHED. RELEASED FOR PUBLICATION  
 © COPYRIGHT - By - ALL RIGHTS RESERVED.

LOC		DIST		REVISIONS			
P	LTR	DESCRIPTION		DATE	DWN	APVD	
FT	0	F1	REVISED PER ECO-13-017833	12FEB2014	NK	MZ	



- $\triangle 1$  .000100 MIN. MATTE TIN-LEAD OVER .000050 MIN NICKEL.
- $\triangle 2$  .000100 MIN. MATTE TIN OVER .000050 MIN NICKEL.



6.53 [.257]	YES	NO	$\triangle 2$	207890-5
4.04 [.159]	NO	YES	$\triangle 2$	207890-3
4.04 [.159]	NO	NO	$\triangle 2$	207890-2
4.04 [.159]	NO	NO	$\triangle 1$	207890-1
DIM A	4-40 THREADED INSERTS	PERIPHERAL SEAL	FINISH	PART NUMBER

RECOMMENDED P.C. BOARD LAYOUT

THIS DRAWING IS A CONTROLLED DOCUMENT.

DIMENSIONS: mm [INCHES]	TOLERANCES UNLESS OTHERWISE SPECIFIED:	DWN C.J. REIFSNYDER 05/15/95	TE Connectivity	
	0 PLC ± -	CHK R.STONE 05/24/95	RECEPTACLE ASSEMBLY, POSTED, REVERSE SEX, SERIES 1, 23-37, CPC	
	1 PLC ± -	APVD AL FRANTUM 05/25/95	SIZE A2	CAGE CODE 00779
	2 PLC ± 0.13 [.005]	PRODUCT SPEC	DRAWING NO C=207890	RESTRICTED TO -
	3 PLC ± -	APPLICATION SPEC	SCALE 2:1	SHEET 1 of 1
MATERIAL SEE CALLOUT	FINISH SEE CALLOUT	WEIGHT -	REV F1	
CUSTOMER DRAWING				