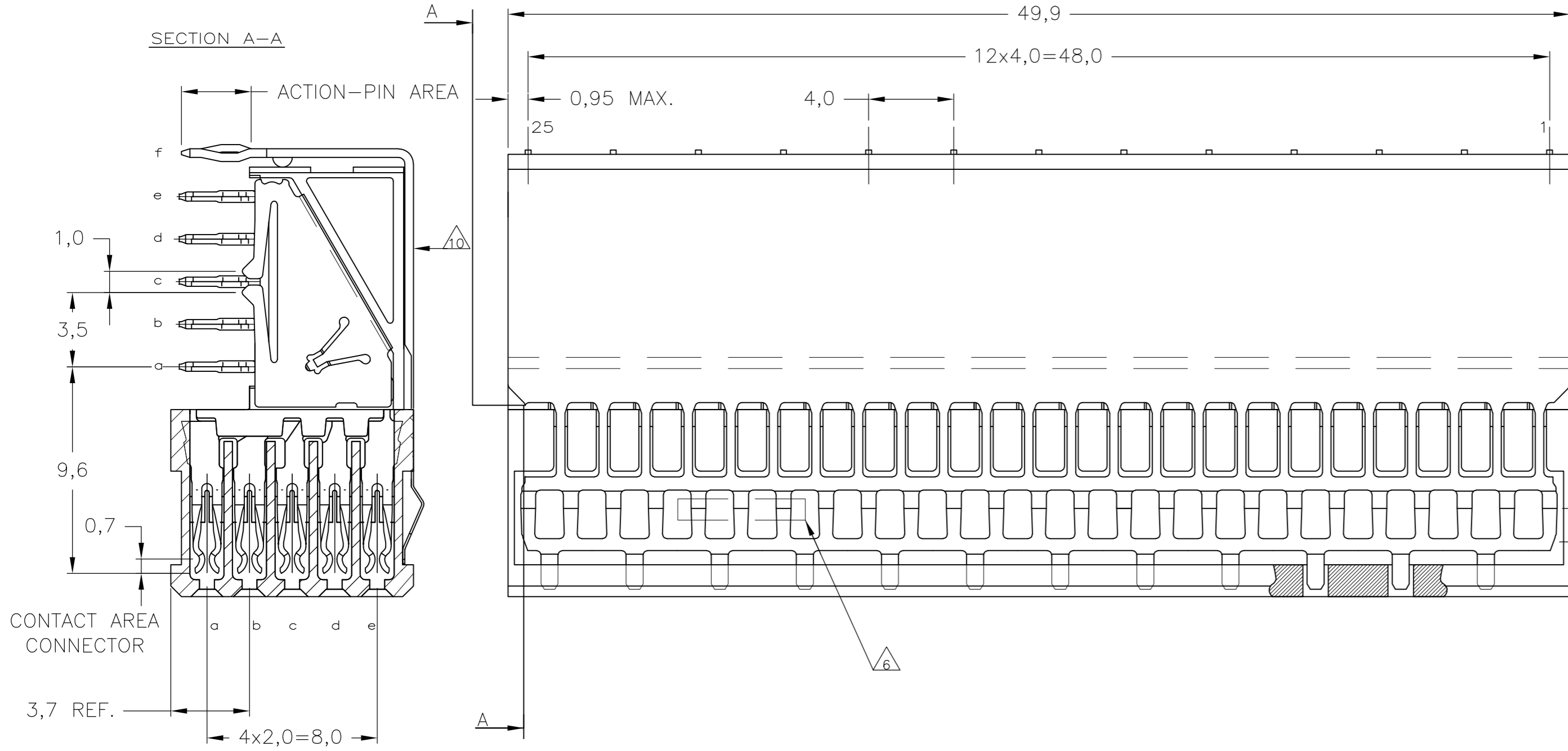
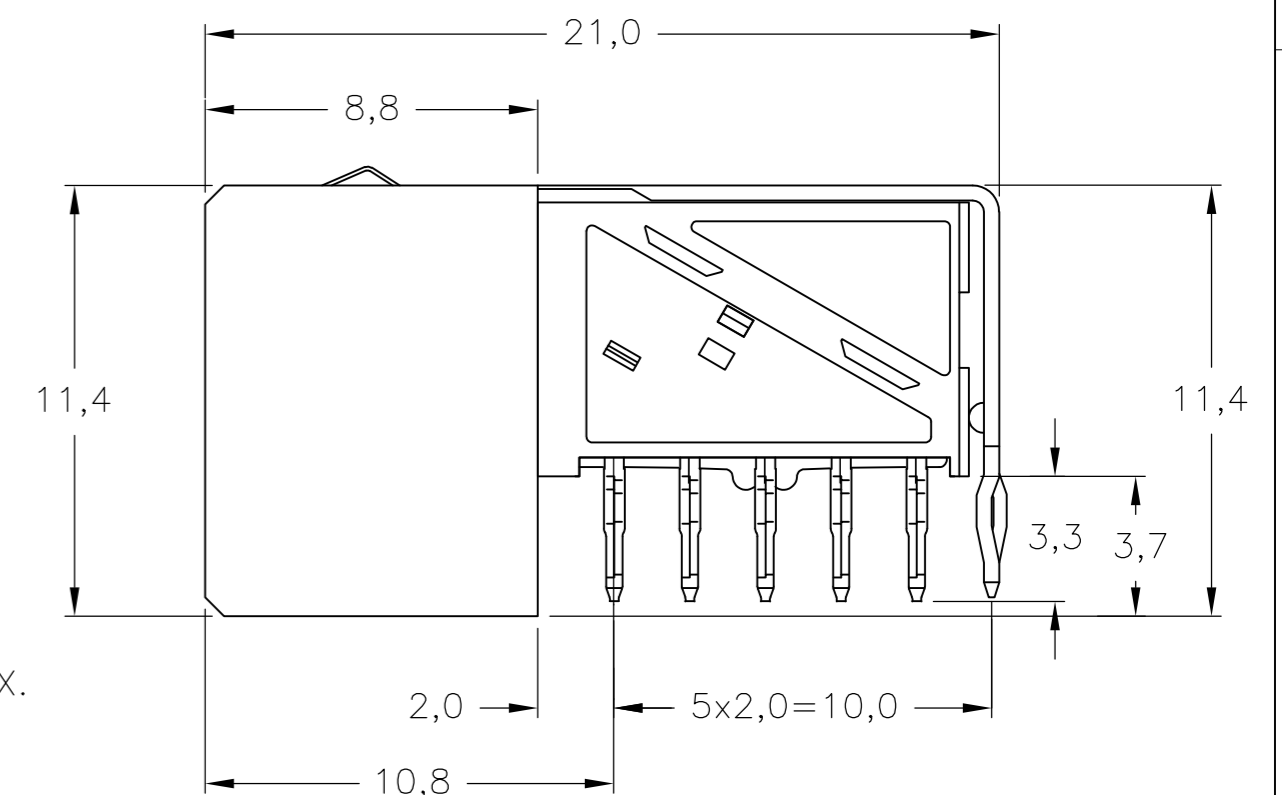
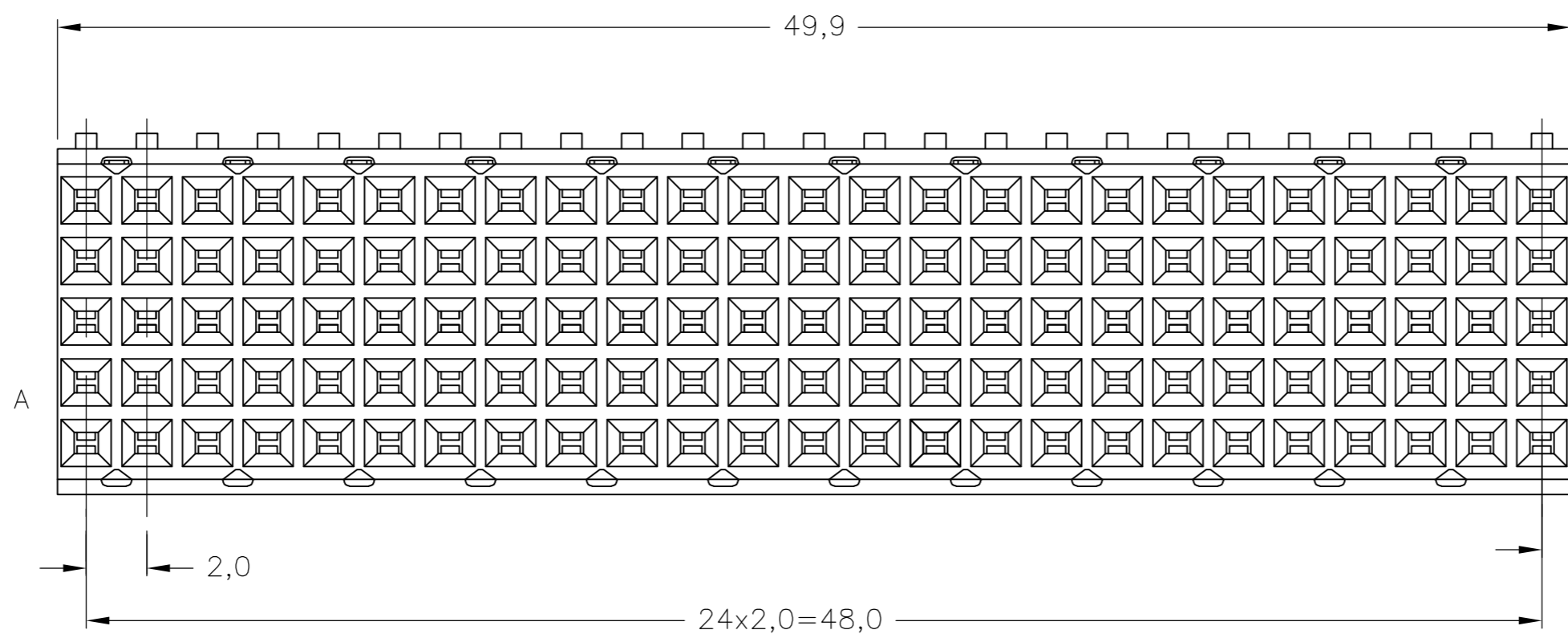


THIS DRAWING IS UNPUBLISHED. RELEASED FOR PUBLICATION  
 © COPYRIGHT - By - ALL RIGHTS RESERVED.

LOC		DIST		REVISIONS			
P	LTR	DESCRIPTION	DATE	DWN	APVD		
H	-	E	REVISED PER ECO-13-014710	08NOV2013	SY	FY	

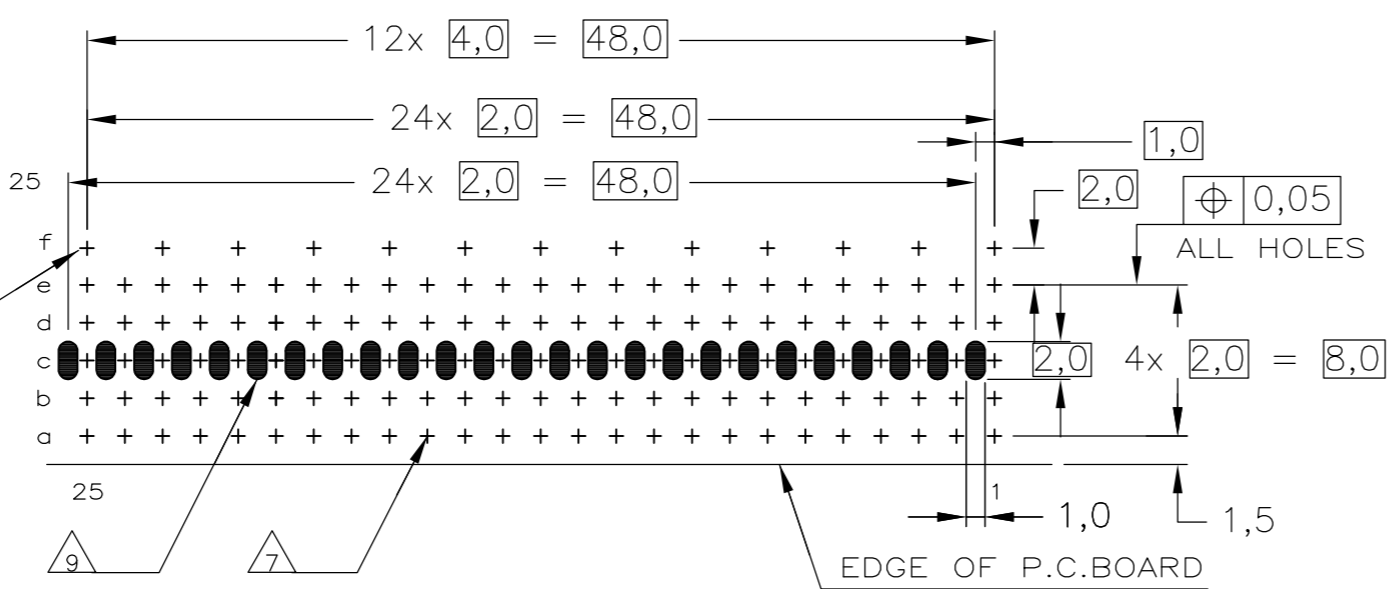


- NOTES:**
- 1 MATERIAL CONTACTS; PHOSPHORBRONZE  
MATERIAL SHIELDS ; PHOSPHORBRONZE  
MATERIAL HOUSING; GLASSFILLED POLYESTER (GRAY)
  - 2 GENERAL CONTACT PLATING SPECIFICATION: UNDERPLATING  
(ENTIRE CONTACT): 1,27µm NICKEL MIN. AND ACTION PIN: 0,5µm TIN  
MIN. FOR PLATING OF MATING SURFACES SEE APPLICABLE SPECIFICATION  
REFERENCE FOR EACH DASH NUMBER.
  - 3 CONFORMS TO ALL TESTING ACCORDING IEC 61076-4-101  
PERFORMANCE LEVEL 2.
  - 4 CONFORMS TO ALL TESTING ACCORDING IEC 61076-4-101  
PERFORMANCE LEVEL 1.
  - 5 REDUCED CROSS-TALK SHIELD: GOLD FLASH OVER 1,27 µm  
NICKEL MIN.
  - 6 ASSEMBLY PRINTED WITH P/N AND DATECODE  
THE MARKING CAN APPEAR ON THE FRONT SIDE  
OR ON THE BACK SIDE.
  - 7 HOLE PATTERN FOR FEMALE CONNECTOR TYPE B  
125 PLATED-THROUGH HOLES AT 2x2mm SQUARE GRID
  - 8 ROW "f" 13 PLATED THROUGH HOLES FOR UPERSHIELD
  - 9 PLATED SPOT ONLY ON COMPONENT SIDE, FORMING  
ONE CONTACT WITH PLATED THROUGH HOLES OF ROW C
  - 10 SHIELD MOUNTED ON CONNECTOR WITH DOUBLE SIDED  
ADHESIVE TAPE OR ADHESIVE
  - 11. BASIC P.N. LOWERSHIELD: 5338110



RECOMMENDED P.C.B. HOLE LAY-OUT  
 COMPONENT SIDE AS SHOWN

SCALE 2,5:1



P.C.B. HOLE DIM. ACTION PIN  
 FOR DETAILS SEE  
 APPLICATION SPECIFICATION

THIS DRAWING IS A CONTROLLED DOCUMENT.		DWN K.N.KIRAN 24AUG2004	5352345-4	
DIMENSIONS: mm		CHK B.MOOIJ 22MAR2005	5352345-1	
TOLERANCES UNLESS OTHERWISE SPECIFIED: ±0.2		APVD B.MOOIJ 22MAR2005	PARTNUMBER	
MATERIAL		PRODUCT SPEC 108-19082	FINISH	
FINISH		APPLICATION SPEC 114-19029	MATERIAL	
CUSTOMER DRAWING		WEIGHT	TE Connectivity	
SCALE 5:1		SHEET 1 of 1	Z-PACK 2mm HM TYPE B PRE-SHIELDED RECEPTACLE WITH RED.CROSS-TALK SHIELDS	
SHEET 1 of 1		REV E	RESTRICTED TO	