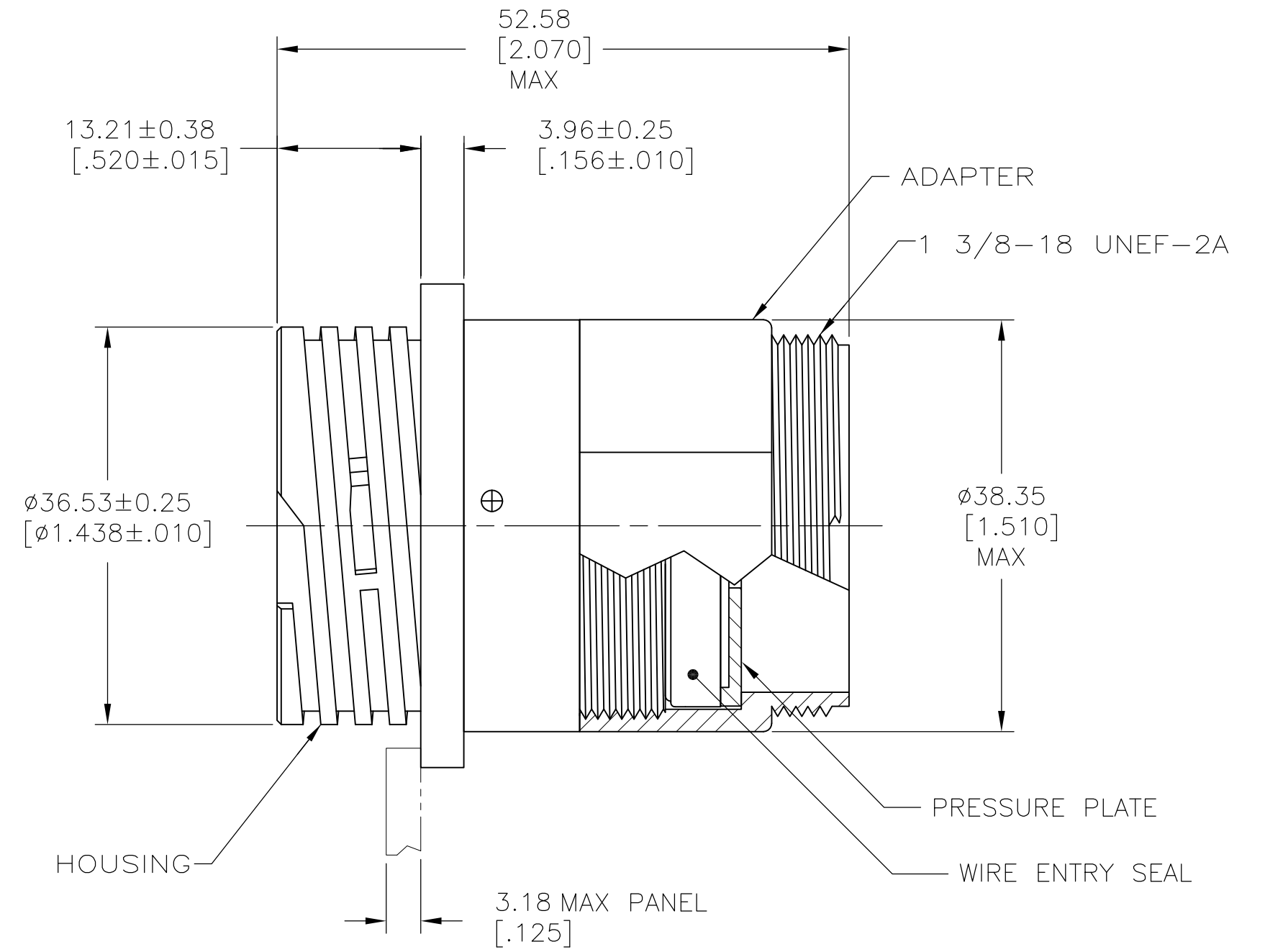
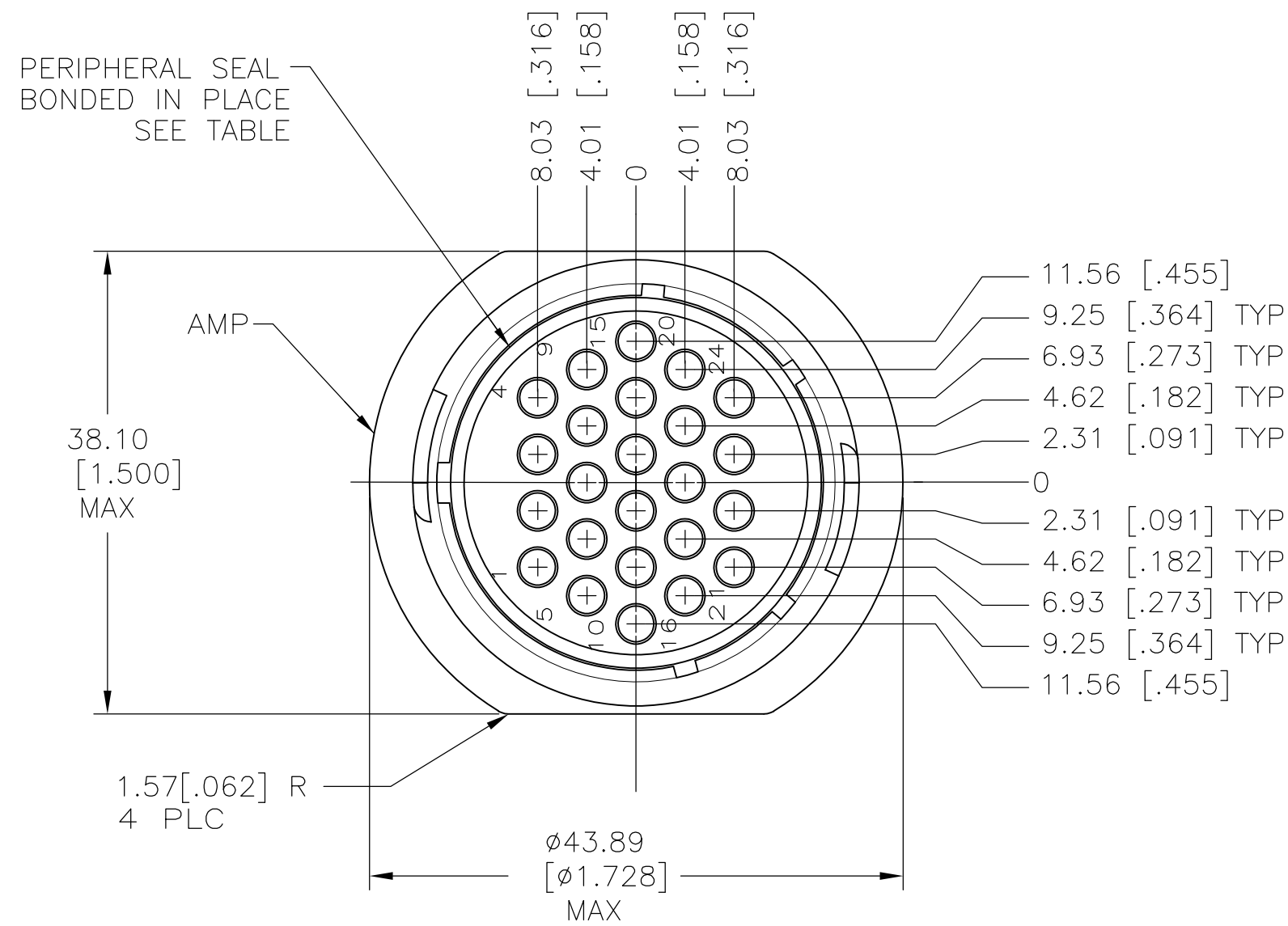


THIS DRAWING IS UNPUBLISHED. RELEASED FOR PUBLICATION
 © COPYRIGHT - By - ALL RIGHTS RESERVED.

REVISIONS					
P	LTR	DESCRIPTION	DATE	DWN	APVD
B		REVISED PER ECO-16-006380	17JUN2016	NK	MZ

- 1 HOUSING, ADAPTER AND PRESSURE PLATE: NYLON, BLACK.
 WIRE ENTRY SEAL: ELASTOMER, RED-IRON OXIDE.
 PERIPHERAL SEAL: ELASTOMER, GREY.
- 2 CONNECTOR WILL ACCEPT (24) MULTIMATE PIN CONTACTS.



1.65-2.54 [.065-.100]	796291-1
WIRE INSULATION DIAMETER RANGE	PART NUMBER

THIS DRAWING IS A CONTROLLED DOCUMENT.		DWN L. McEACHIN 11-JAN-2000		
DIMENSIONS: mm [INCHES]		CHK K. DOWHOWER 11-JAN-2000		
TOLERANCES UNLESS OTHERWISE SPECIFIED:		APVD K. DOWHOWER 11-JAN-2000	NAME	
0 PLC ± -	1 PLC ± -	PRODUCT SPEC	ASSEMBLY, RECEPTACLE, 23-24 FREE HANGING, STANDARD SEX, SEALED CPC	
2 PLC ± 0.13 [.005]	3 PLC ± -	108-1579	SIZE A2	CAGE CODE 00779
4 PLC ± -	ANGLES ± -	APPLICATION SPEC	DRAWING NO C=796291	RESTRICTED TO -
MATERIAL 1	FINISH -	WEIGHT	SCALE 2:1	SHEET 1 of 1
CUSTOMER DRAWING		REV B		