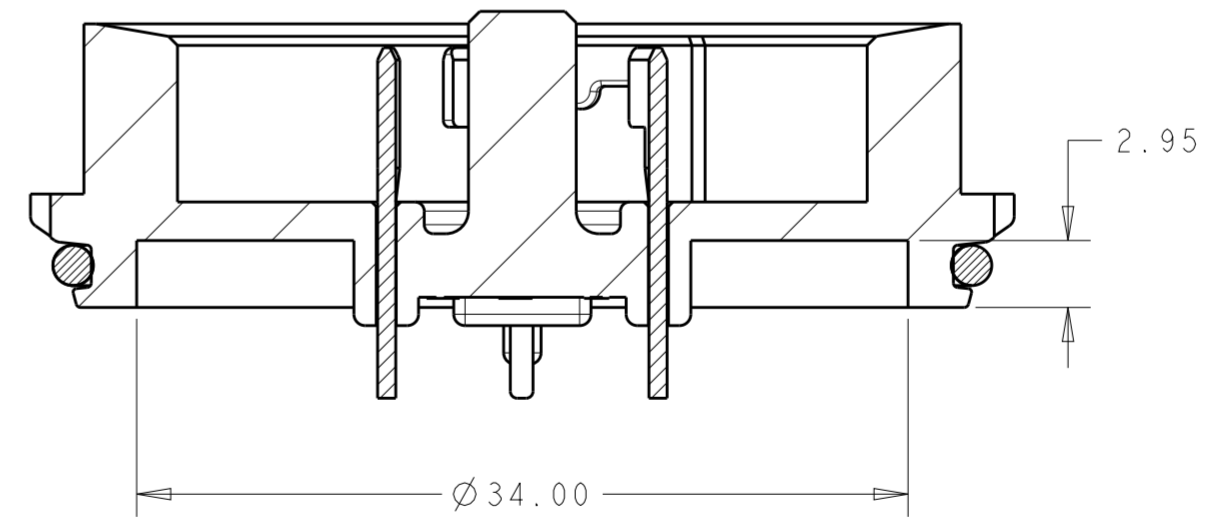
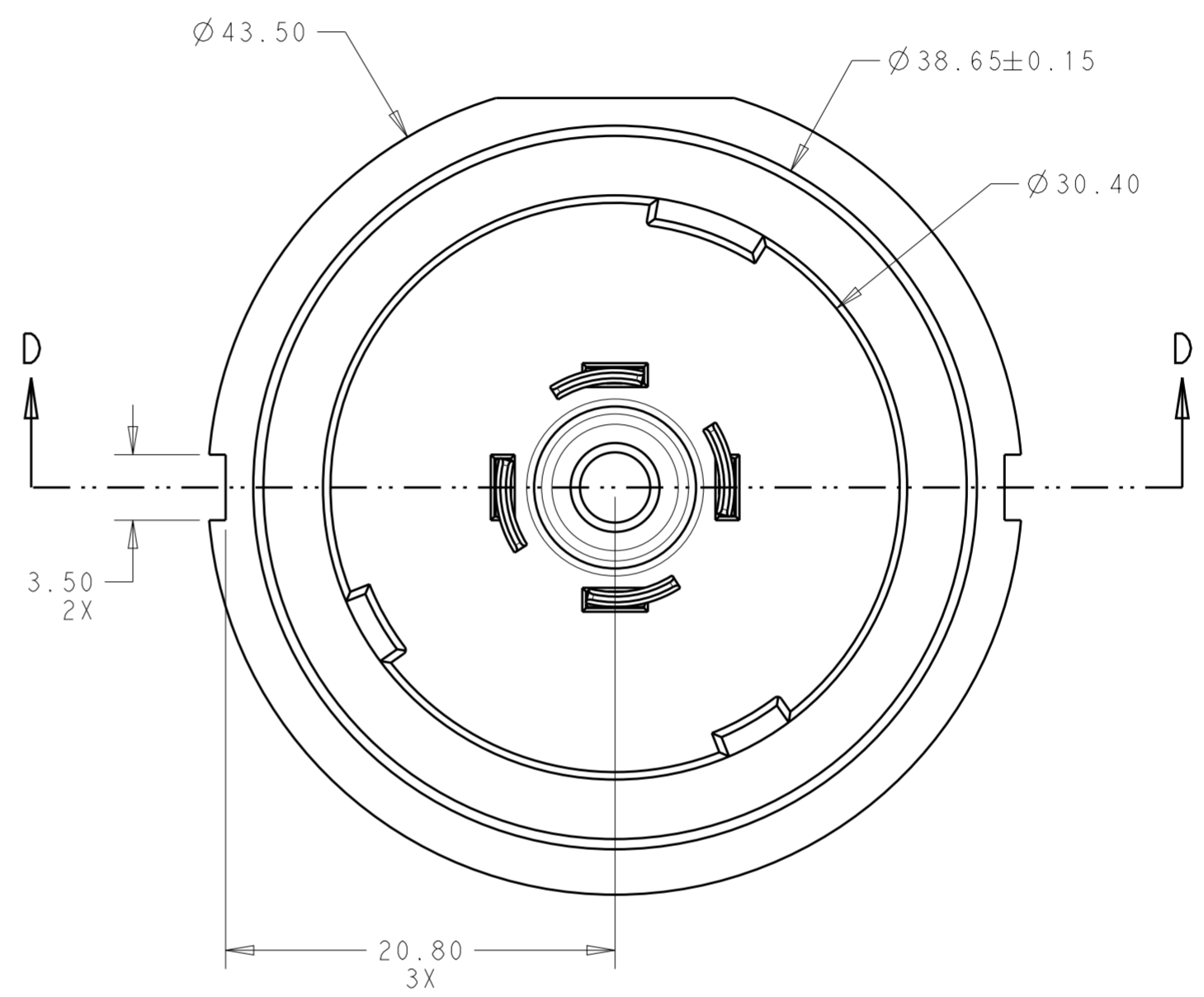
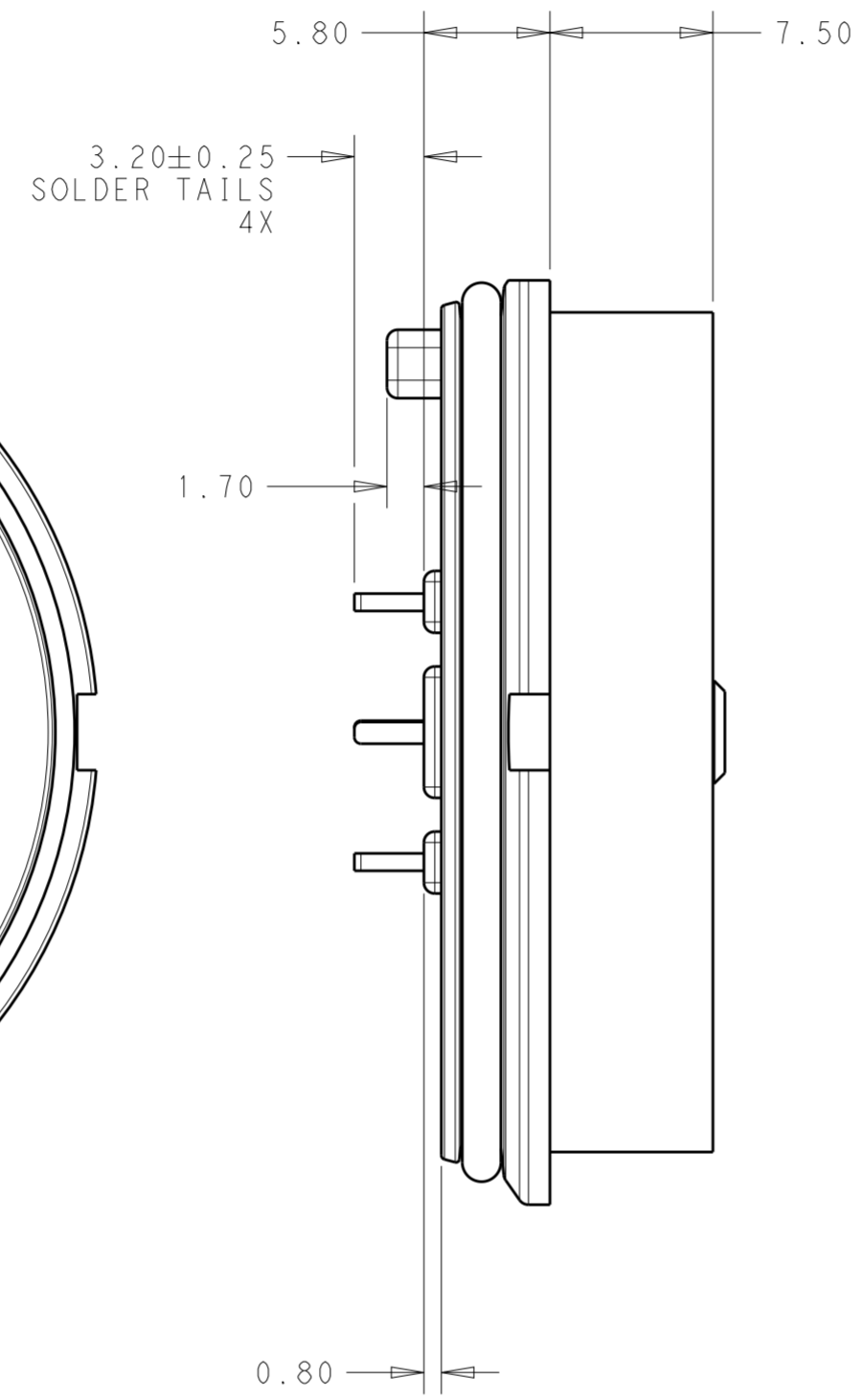
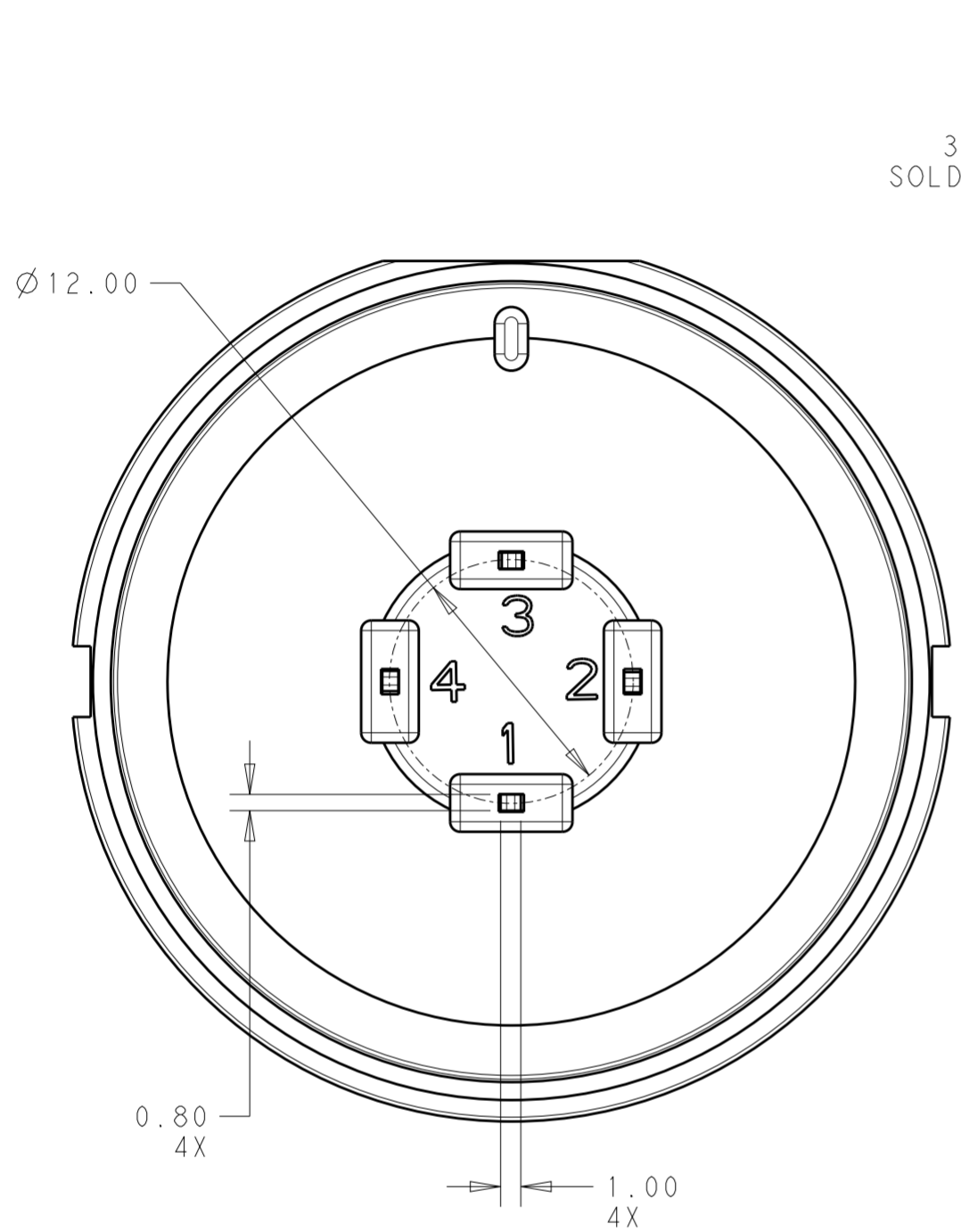


THIS DRAWING IS UNPUBLISHED. RELEASED FOR PUBLICATION 20
 © COPYRIGHT 20 BY - ALL RIGHTS RESERVED.

REVISIONS				
P	LTR	DESCRIPTION	DATE	APVD
3		REMOVED -2; UPDATE VISUAL	02SEP2016	CD EH
4		ADDED O-RING IS BLACK	17JAN2017	CD EH

- 1 MATERIALS AND FINISH:
 -MODULE HOUSING: PBT, COLOR: GREY
 -CONTACTS: BRASS, FINISH: Sn OVER Ni
 -O-RING: SILICON RUBBER, COLOR: BLACK
2. MUST COMPLY WITH DIRECTIVE 2002/95/EC (ROHS)
3. THIS PRODUCT HAS NOT COMPLETED VALIDATION TESTING



SECTION D-D

TE CONNECTIVITY
 CONFIDENTIAL
 AND PROPRIETARY

PROPOSED DESIGN
 NOT PRODUCTION TOOLED

DESIGN IS SUBJECT TO
 CHANGE WITHOUT NOTICE

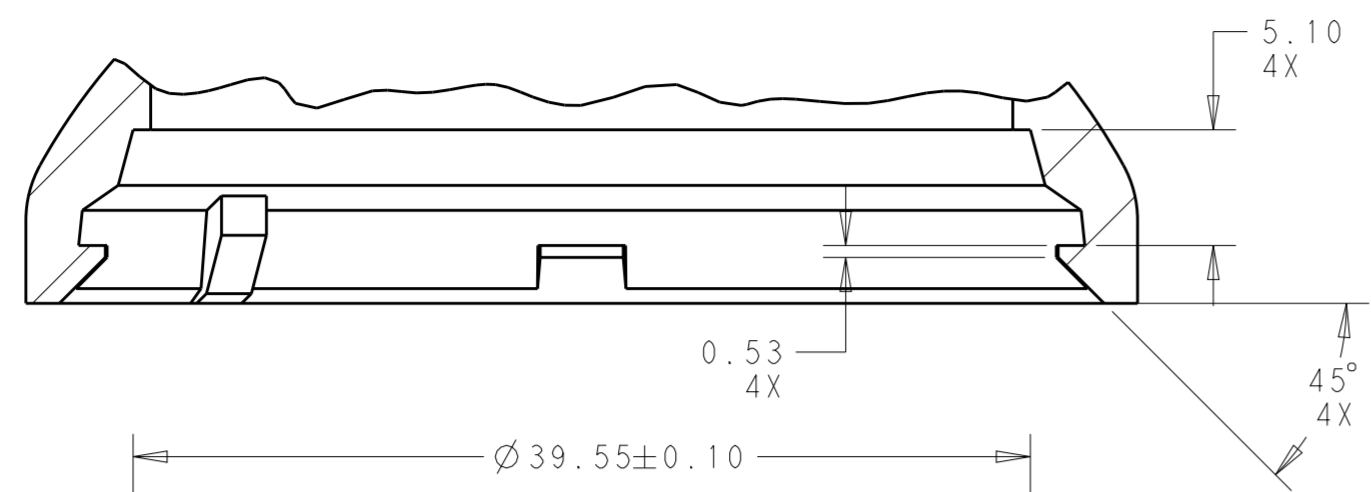
STANDARD	2213837-1
DESCRIPTION	PART NO.

THIS DRAWING IS A CONTROLLED DOCUMENT.		DWN C. DAILY 18MAY2016	PRELIMINARY		
DIMENSIONS: mm		CHK M. MOSTOLLEH 18MAY2016			
TOLERANCES UNLESS OTHERWISE SPECIFIED:		APVD -	NAME MODULE BASE, 40mm DIAMETER	RESTRICTED TO	
0 PLC ±		PRODUCT SPEC 108-133073	SIZE A2	CAGE CODE -	DRAWING NO. C-2213837
1 PLC ±0.2		APPLICATION SPEC 114-133074	SCALE 3:1	SHEET 1 OF 2	REV 4
2 PLC ±0.15		WEIGHT -	CUSTOMER DRAWING		
3 PLC ±0					
4 PLC ±0					
ANGLES ±1°					
FINISH					
MATERIAL SEE NOTES					

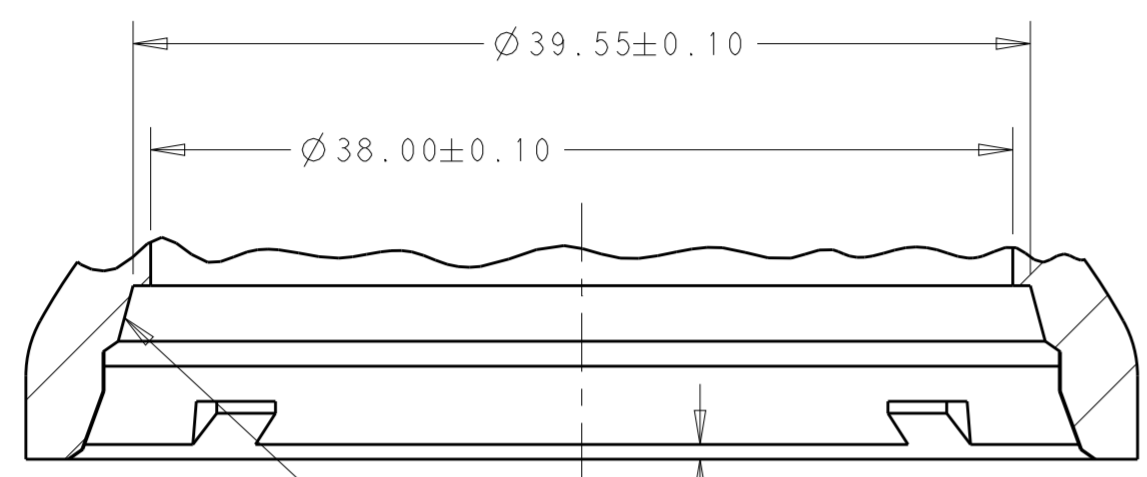
THIS DRAWING IS UNPUBLISHED. RELEASED FOR PUBLICATION 20
 © COPYRIGHT 20 BY - ALL RIGHTS RESERVED.

REVISIONS					
P	LTR	DESCRIPTION	DATE	DWN	APVD
-	-	SEE SHEET 1	-	-	-

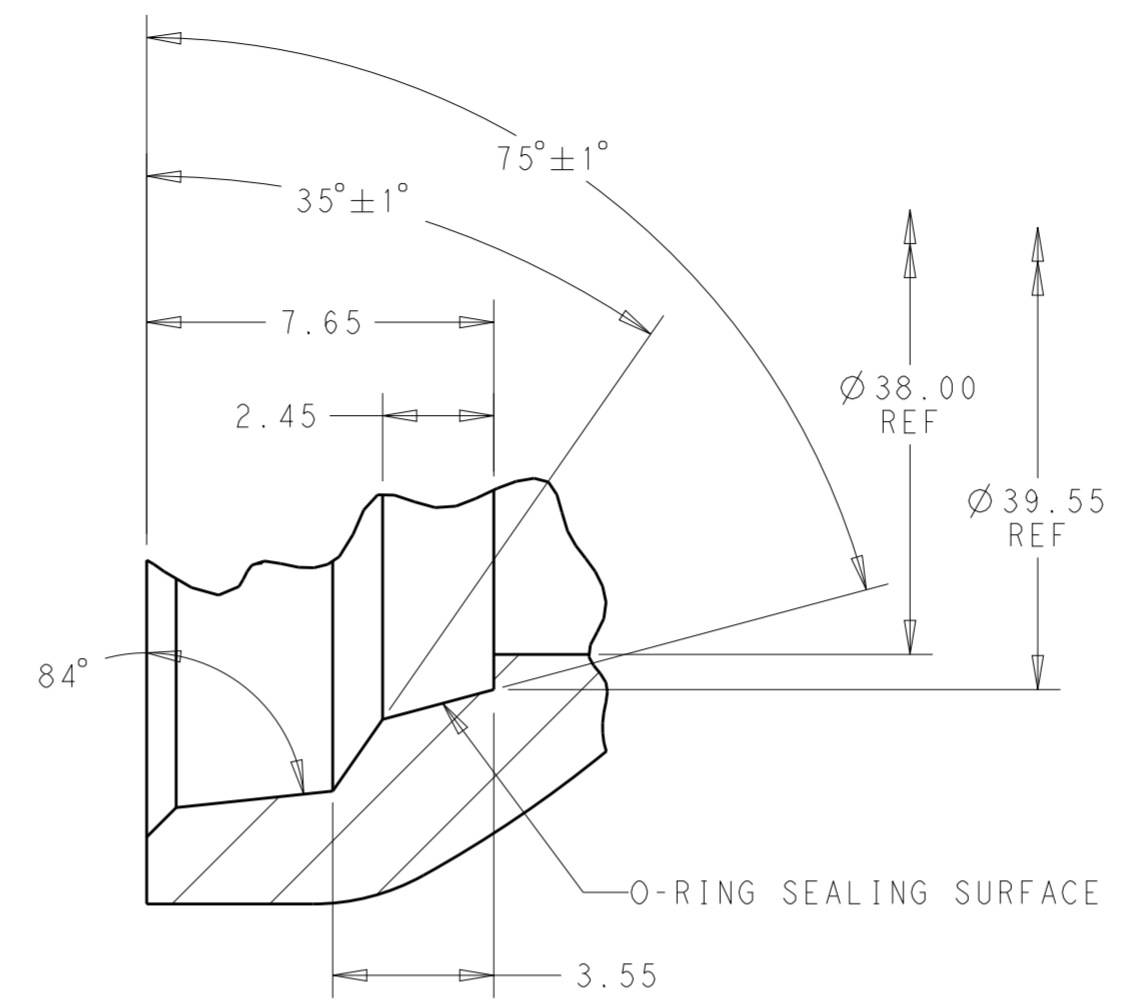
LATCH DETAIL
SECTION F-F
SCALE 3:1



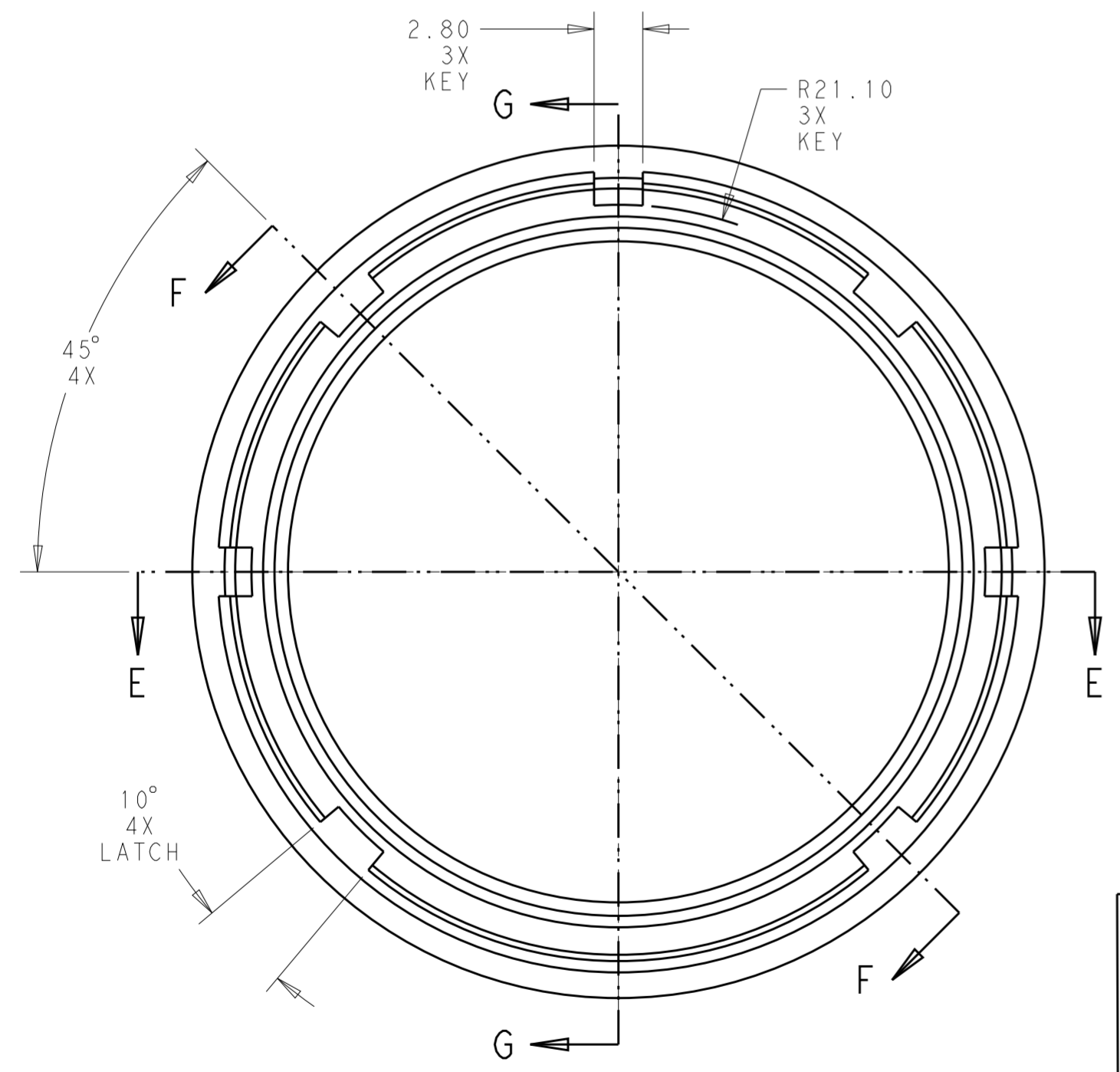
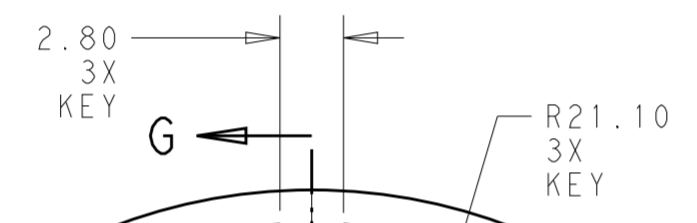
KEY DETAIL
SECTION E-E



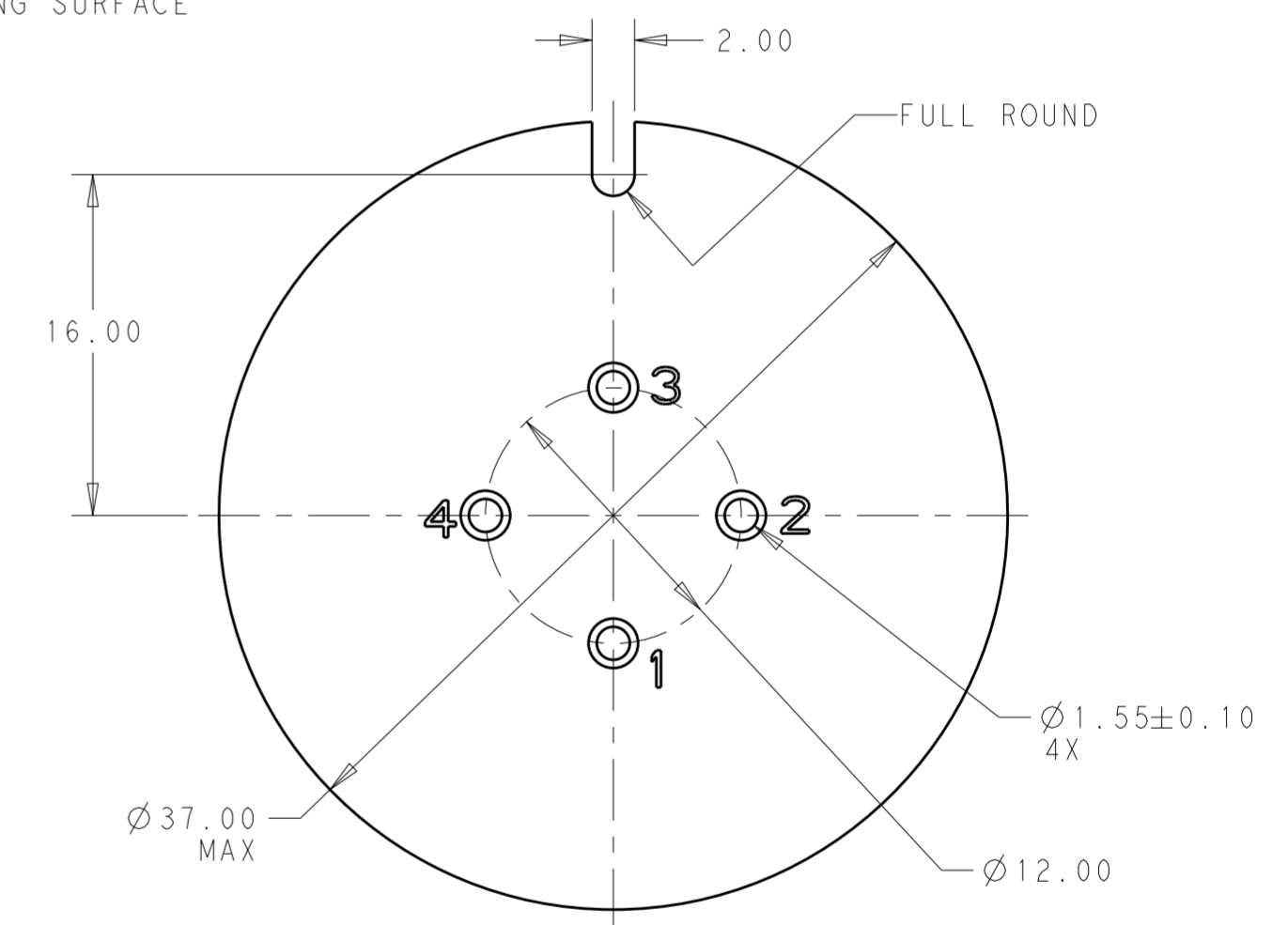
O-RING SEALING SURFACE.
MUST BE SMOOTH AND
FREE OF DEFECTS



SECTION G-G
SCALE 6:1



RECOMMENDED
CAP SEAL AND LATCH DETAIL
SCALE 3:1



PROPOSED PCB LAYOUT
SCALE 3:1

TE CONNECTIVITY
CONFIDENTIAL
AND PROPRIETARY

PROPOSED DESIGN
NOT PRODUCTION TOOLED

DESIGN IS SUBJECT TO
CHANGE WITHOUT NOTICE

THIS DRAWING IS A CONTROLLED DOCUMENT.		DWN C. DAILY 18MAY2016	STE TE Connectivity	
		CHK M. MOSTOLLER 18MAY2016		
DIMENSIONS: mm		APVD -		NAME MODULE BASE, 40mm DIAMETER
TOLERANCES UNLESS OTHERWISE SPECIFIED:		PRODUCT SPEC 108-133073		SIZE A2
0 PLC ±		APPLICATION SPEC 114-133074		CAGE CODE -
1 PLC ±0.2		WEIGHT -		DRAWING NO C-2213837
2 PLC ±0.15		CUSTOMER DRAWING		RESTRICTED TO -
3 PLC ±0		SCALE 3:1		SHEET 2 OF 2
4 PLC ±0		SCALE 3:1		REV 4
ANGLES ±1°				
FINISH -				
MATERIAL SEE NOTES				