

NOTES:
 1.HOUSING: HIGH TEMPERATURE THERMOPLASTIC.
 GLASS FIBER FILLED.UL94V-0, COLOR: BLACK
 TERMINAL: COPPER ALLOY, SELECTIVE Au PLATING
 METAL SHELL: STAINLESS STEEL
 EACH SWITCHES: COPPER ALLOY, SELECTIVE Au PLATING.
 EACH NAILS: COPPER ALLOY, SELECTIVE AU PLATING.
 COIL SPRING: STEEL WIRE.
 CAM PIN: STAINLESS STEEL

2.TERMINAL AND NAIL COPLANARITY TO BE 0.1MAX

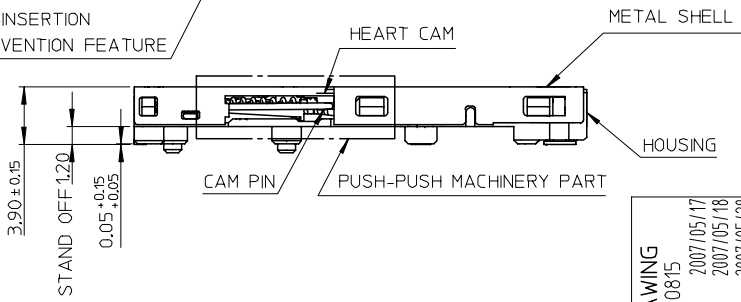
CONTACT POSITION OF CARD SIDE

TERMINAL NO.	CONTACT POSITION
NO.1	2.4
NO.2,5,6,7,8	2.9
NO.3,4	3.4
NO.9	5.2

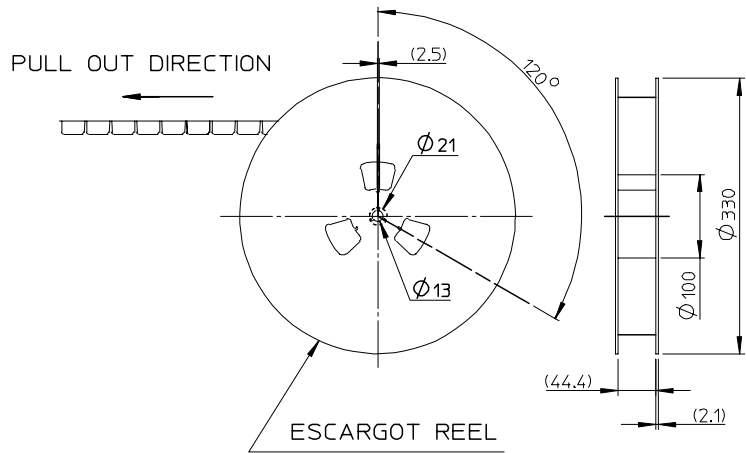
4.OPEN/CLOSE OF EACH SWITCH

	PROTECT TERMINAL		SWITCH
	WRITE PROTECT POSITION	WRITE ENABLE POSITION	
CARD UNINSERTION	OPEN	OPEN	OPEN
CARD HALF INSERTION	CLOSE	CLOSE	OPEN
CARD INSERTION	OPEN	CLOSE	CLOSE

- 5.TERMINAL 1 TO BE SIGNAL DETECTING WHEN SD CARD INSERTING
- 6.WHEN DELIVERING, THE PUSH/PUSH MECHANISM IS IN THE STATE OF THE UNLOCK.(CARD DASHING OUT POSITION)
- 7.CARD READ ONLY BY THE TIME THE CARD DETECTION.
- 8.I/O CONTACTS, BASE ON SD I/O ASSOC. REV.G.
- 9.PRODUCT SPECIFICATION: PS-67913-003
- 10.PRODUCT COMPLIANT TO RoHS DIRECTIVE 2002/95/EC AND ELV 2000/53/EC.



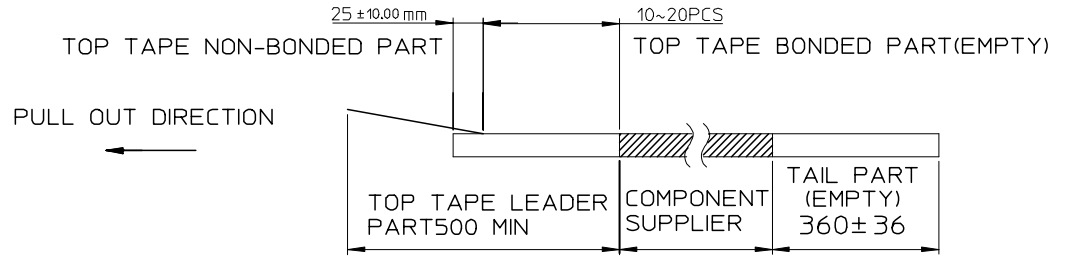
UPDATE DRAWING EC NO: SH2007-0815 DRWN: LSONG09 2007/05/17 CHKD: JTIAN 2007/05/18 APPR: JNCHEN 2007/05/28	QUALITY SYMBOLS ▽=0 ▽=0	GENERAL TOLERANCES (UNLESS SPECIFIED)		DIMENSION STYLE MM ONLY		SCALE 3:1	DESIGN UNITS METRIC	THIRD ANGLE PROJECTION	
		DRAFT WHERE APPLICABLE MUST REMAIN WITHIN DIMENSIONS		MATERIAL NO. 481410003		DOCUMENT NO. SD-48141-002		SHEET NO. 1 OF 3	
THIS DRAWING CONTAINS INFORMATION THAT IS PROPRIETARY TO MOLEX INCORPORATED AND SHOULD NOT BE USED WITHOUT WRITTEN PERMISSION									



NOTES

1. NUMBER OF CONNECTORS: 250 PCS/REEL

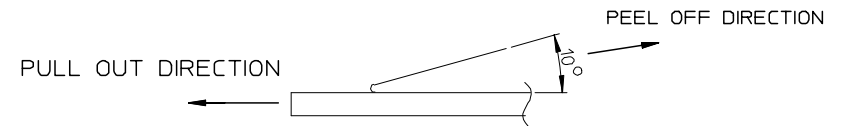
2.



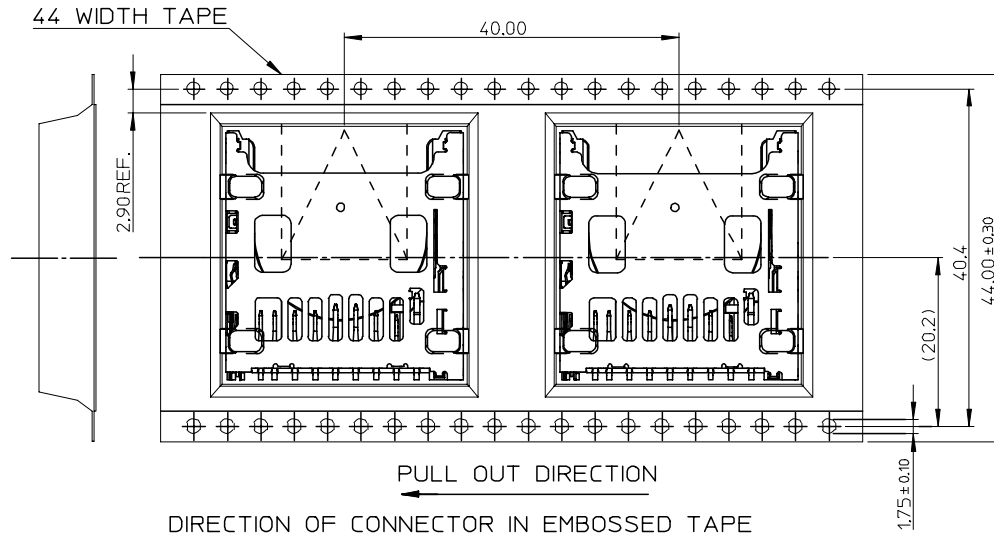
3. PEEL OFF FORCE OF TOP TAPE: 0.1~1.3 N (10.2~130gf)

PEELING DIRECTION AS SHOWN IN FOLLOWING FIG.)

(PEEL OFF SPEED: 300mm/min.REF.)



4. PACKAGING DRAWING REFERS TO PK-48141-001.



UPDATE DRAWING EC NO: SH2007-0815 DRWN: LSONG09 2007/05/17 CHKD: JTIAN 2007/05/18 APPR: JNCHEH 2007/05/28	QUALITY SYMBOLS ▽=0 ◻=0	GENERAL TOLERANCES (UNLESS SPECIFIED)		DIMENSION STYLE	SCALE	DESIGN UNITS	THIRD ANGLE PROJECTION	
				MM ONLY	1:1	METRIC		
		mm	INCH	DRAWN BY DATE		TITLE		
		4 PLACES ± ---	± ---	MZCHEN	2006/01/05	SD/IO CARD CONN REVERSED STAND OFF 1.2MM PUSH-PUSH & LEAD-FREE		
3 PLACES ± ---	± ---	CHECKED BY DATE		MOLEX INCORPORATED			SHEET NO. 3 OF 3	
2 PLACES ± 0.25	± ---	JTIAN	2006/01/05	DOCUMENT NO. SD-48141-002				
1 PLACE ± 0.25	± ---	APPROVED BY DATE						
ANGULAR ± 3°		GRMA		2006/01/05				
DRAFT WHERE APPLICABLE MUST REMAIN WITHIN DIMENSIONS		MATERIAL NO. 481410003						
		SIZE A3		THIS DRAWING CONTAINS INFORMATION THAT IS PROPRIETARY TO MOLEX INCORPORATED AND SHOULD NOT BE USED WITHOUT WRITTEN PERMISSION				