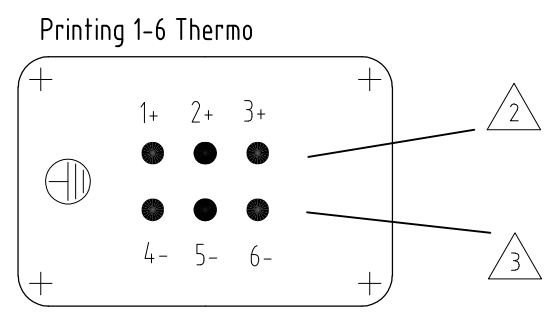
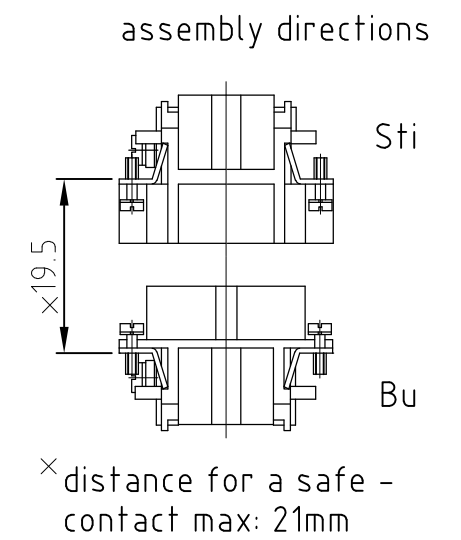
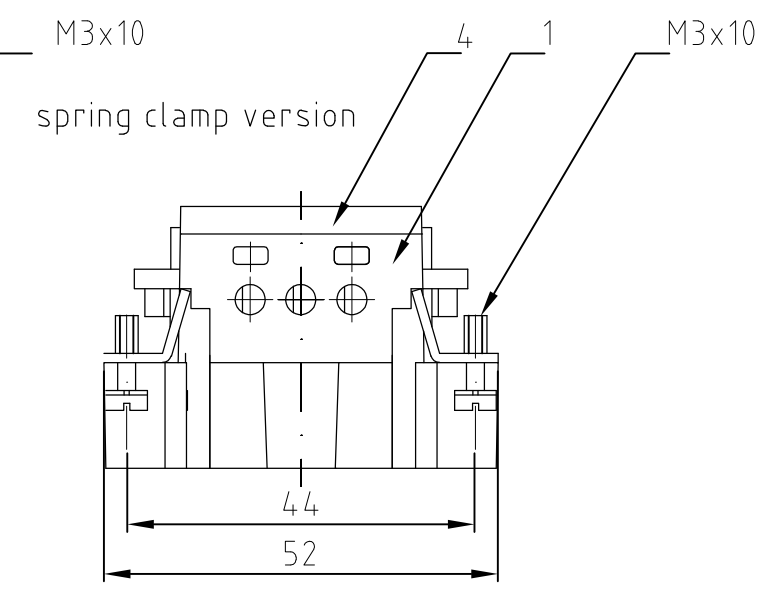
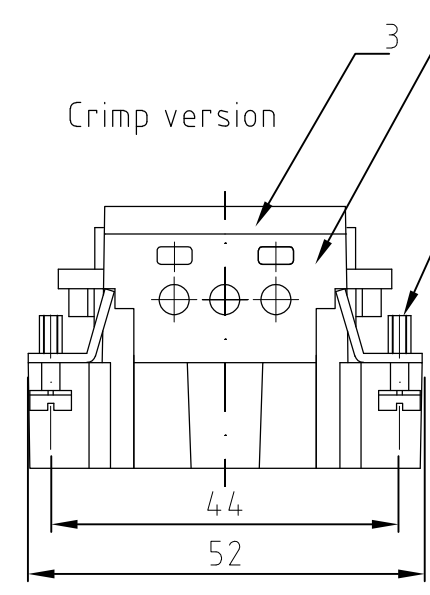
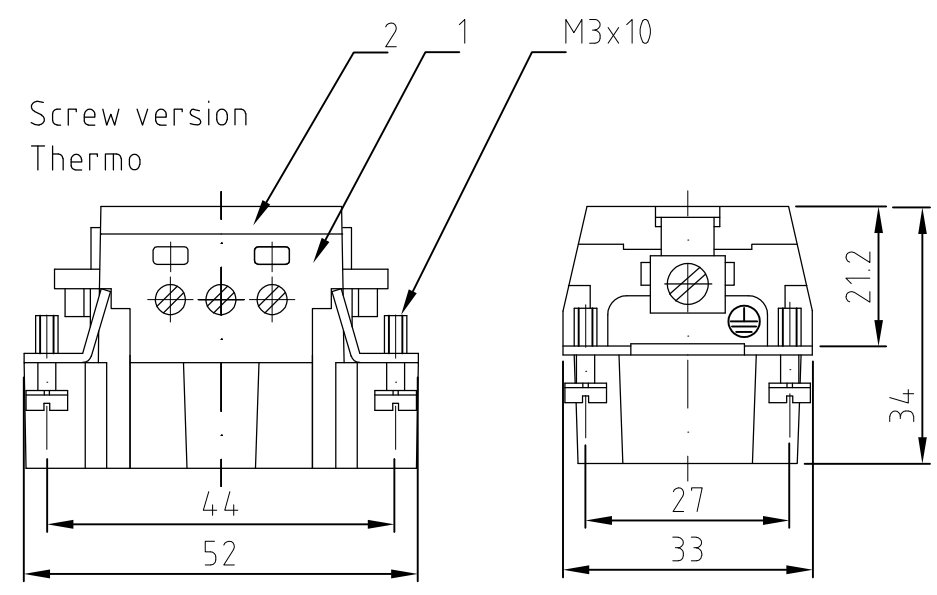


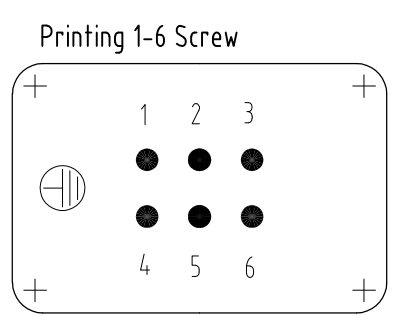
THIS DRAWING IS UNPUBLISHED.
 VERTRAULICHE UNVERÖFFENTLICHTE ZEICHNUNG
 © COPYRIGHT - By -
 RELEASED FOR PUBLICATION
 FREI FUER VERÖFFENTLICHUNG
 ALL RIGHTS RESERVED.
 ALLE RECHTE VORBEHALTEN

REVISIONS ÄNDERUNGEN		DESCRIPTION BESCHREIBUNG	DATE	DWN	APVD
P	LTR				
	A7	AS PER ECR-16-009336	07DEC2016	GCM	MKO

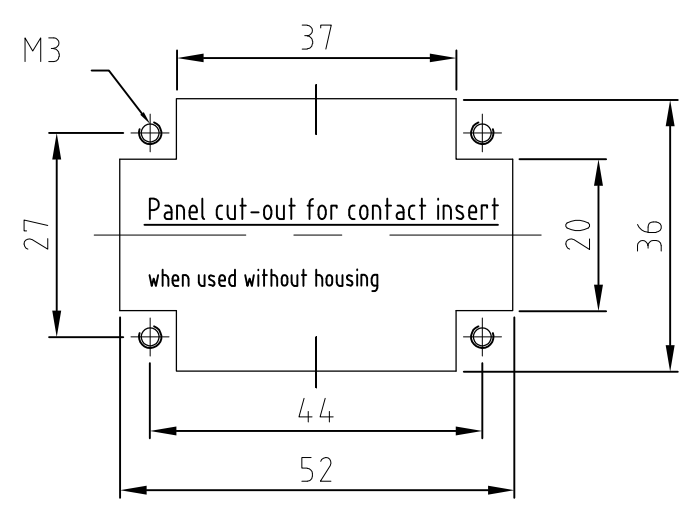


Contact arrangement

view from termination side



- NOTES:
- 1 SUITABLE CRIMP CONTACTS: SERIES HE/HA
OUTER DIMENSIONS OF INSULATION: MAX. Ø3,2 MM
 - 2 SUITABLE HOOD SIZE 5; 7; 9; 11: SERIES HA; HD
SUITABLE INSERTION AND EXTRACTION TOOL:
SCREWDRIVER 0,5x3 DIN 5264
 - 3 Strip length: Screw connection 10mm
Spring clamp connection 10mm Crimp connection 7.5mm
 - 4 STANDARDS:
DIN EN 61984; DIN EN 60664-1
 - 5 PACKAGING:
5 SETS IN A CARTON, PRE-MOUNTED
 - 6 SPECIAL PACKAGING: Krauss-Maffei
PACKAGING UNIT: 150 PIECES



OB	SO	OB	SO	OB	SO	OB	SO	DESCRIPTION	MATERIAL	COLOR	ITEM NO. POS.	NOTES
				1				cover spring clamp version		light grey	4	
				1				cover crimp version		light grey	3	
				1		1		cover screw version		light grey	2	
				1		1		pin insert		light grey	1	
0-2	0-1	17-1	2-3	1-7	1-1							
4	4	5	5	5	5							
HE-6.Sti-S.KM	HE-6.Sti-S-AU	HE-6.Sti-SC	HE-6.Sti-C	HE-6.Sti-S-T	HE-6.Sti-S							

THIS DRAWING IS A CONTROLLED DOCUMENT. DIESE ZEICHNUNG IST EIN KONTROLLIERTES DOKUMENT.		DWN Gräf 16.02.1999	TE Connectivity Male insert Stifteinsatz HE.6.STI
DIMENSIONS: MASSE/NEHMEN: mm TOLERANCES UNLESS OTHERWISE SPECIFIED: ALLGEMEINTOLERANZEN		CHK Schweiger 18.02.1999	
0 PLC ± - 1 PLC ± - 2 PLC ± - 3 PLC ± - 4 PLC ± - ANGLES / WINKEL ± -		APVD -	
MATERIAL - FINISH/OBERFLAECHE/FARBE -		PRODUCT SPEC PRODUKTSPEZ. - APPLICATION SPEC VERARBEITUNGSSPEZ. -	
ORDERING TEXT		SIZE A3	CAGE CODE 00779
		DRAWING NO. ZEICHNUNGS-NR. C-1103634	RESTRICTED TO NUR FUER -
CUSTOMER DRAWING/KUNDENZEICHNUNG		SCALE MASSTAB 1:1	SHEET BLATT 1 OF VON 1
		REV A7	