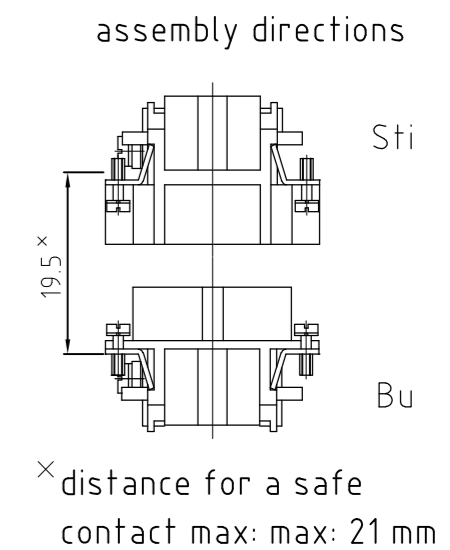
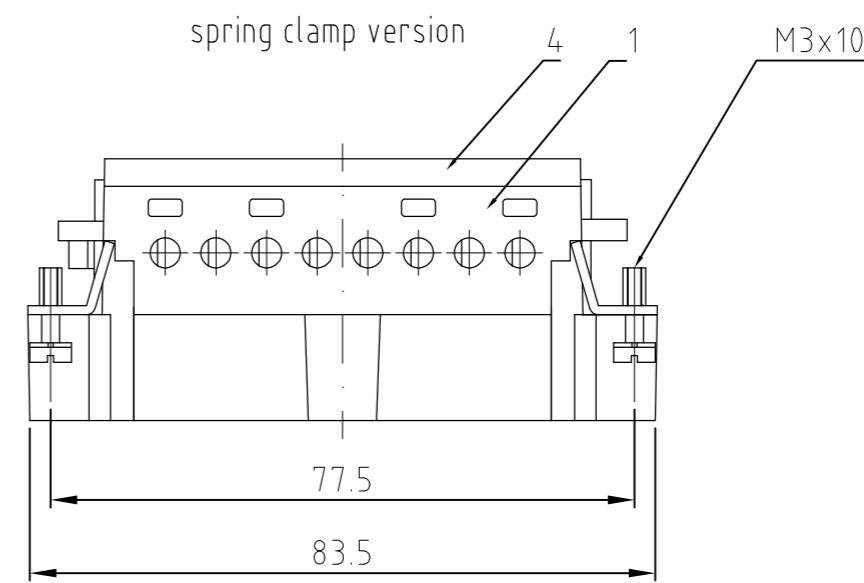
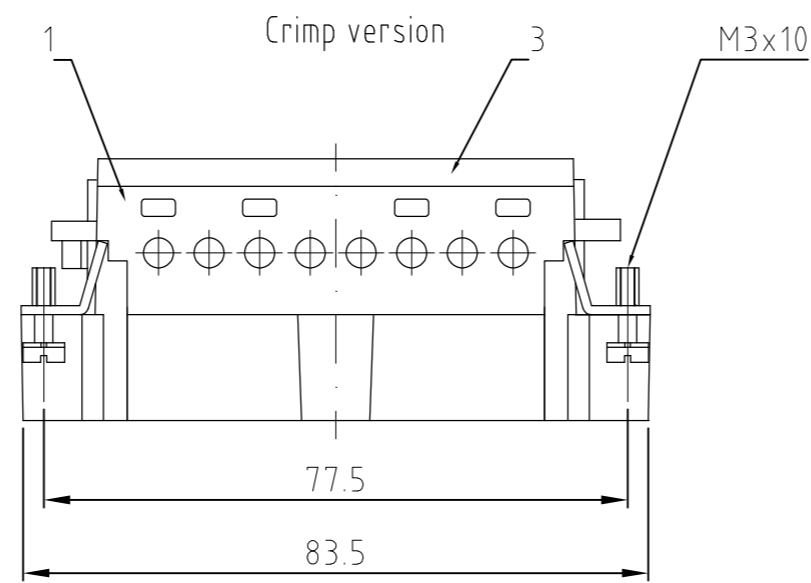
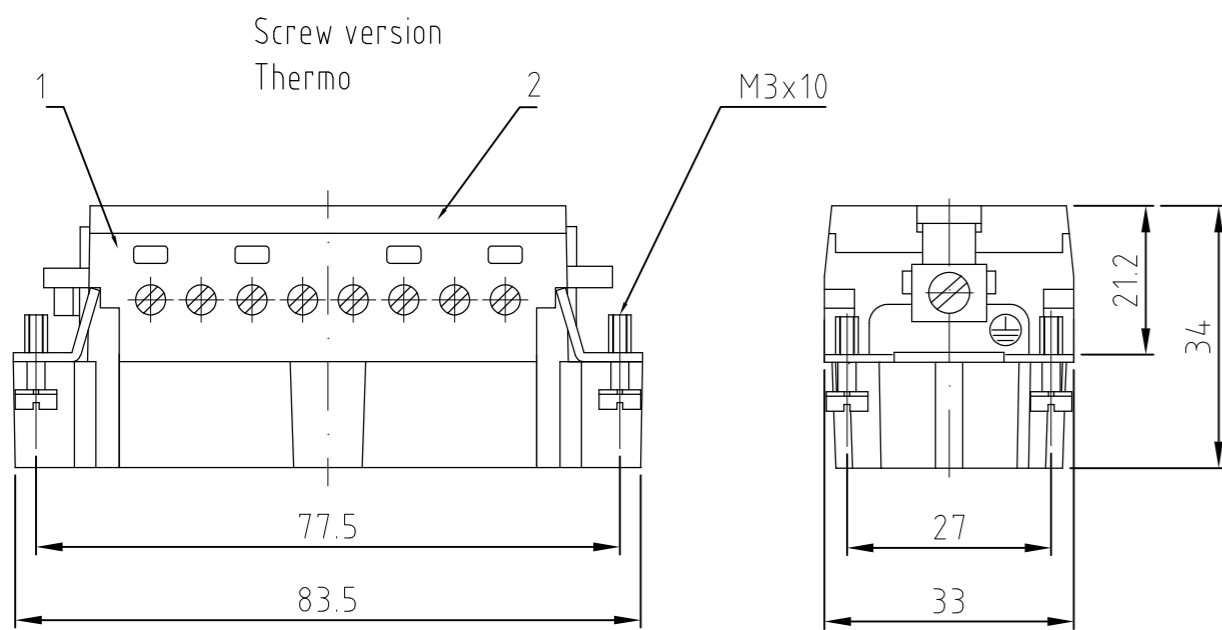


THIS DRAWING IS UNPUBLISHED.  
VERTRAULICHE UNVERÖFFENTLICHTE ZEICHNUNG  
© COPYRIGHT - By -

RELEASED FOR PUBLICATION  
FREI FUER VERÖFFENTLICHUNG  
ALL RIGHTS RESERVED.  
ALLE RECHTE VORBEHALTEN

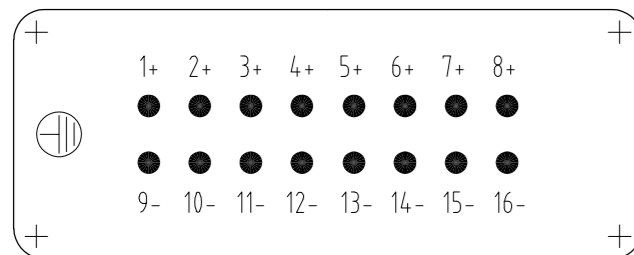
MATED WITH  
PASSEND ZU  
BG6

| REVISIONS<br>ÄNDERUNGEN |     |                             |           |         |
|-------------------------|-----|-----------------------------|-----------|---------|
| P                       | LTR | DESCRIPTION<br>BESCHREIBUNG | DATE      | APVD    |
| C9                      |     | AS PER ECR-16-009336        | 07DEC2016 | GCM/MKO |

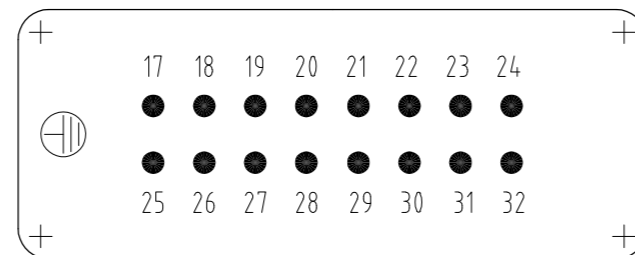


Contact arrangement view from termination side

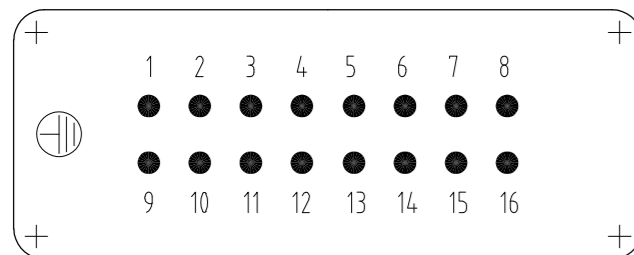
Printing 1-16 Thermo



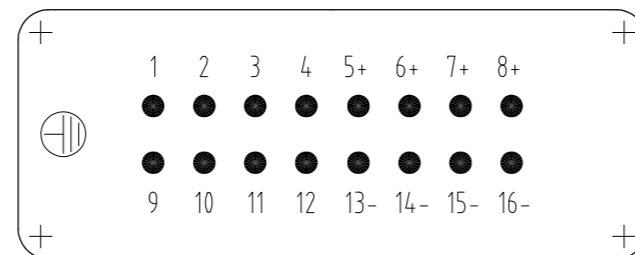
Printing 17-32 Screw



Printing 1-16 Screw



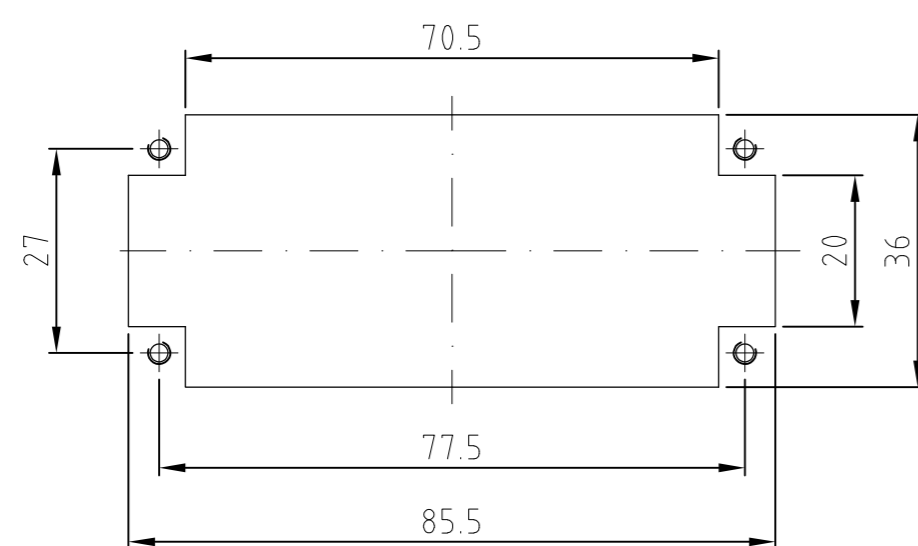
Printing 8+4+4 Screw/Thermo



NOTES:

- SUITABLE CRIMP CONTACTS: SERIES HE/HA  
OUTER DIMENSIONS OF INSULATION: MAX. Ø3,2 MM
- SUITABLE HOOD SIZE 6; 10: SERIES HB; HD;HIP;EMV  
SUITABLE INSERTION AND EXTRACTION TOOL:  
SCREWDRIVER 0,5x3 DIN 5264
- Strip lenght: Screw conection 10mm  
Spring clamp conection 10mm Crimp conection 7.5mm
- STANDARDS:  
DIN EN 61984; DIN EN 60664-1
- PACKAGING:  
5 SETS IN A CARTON, PRE-MOUNTED
- SPECIAL PACKAGING: Krauss-Maffei  
PACKAGING UNIT: 200 PIECES

Panel cut-out for contact insert when used without housing



| ITEM NO. POS. | DESCRIPTION                | MATERIAL | COLOR      | ITEM NO. POS. | NOTES |
|---------------|----------------------------|----------|------------|---------------|-------|
| 1             | cover spring clamp version |          | light grey | 4             |       |
| 2             | cover crimp version        |          | light grey | 3             |       |
| 3             | cover screw version        |          | light grey | 2             |       |
| 4             | pin insert                 |          | light grey | 1             |       |

| ITEM NO. POS. | DESCRIPTION | MATERIAL | COLOR | ITEM NO. POS. | NOTES |
|---------------|-------------|----------|-------|---------------|-------|
| 0-19-4        |             |          |       |               |       |
| 1-89-5        |             |          |       |               |       |
| 7-97-1        |             |          |       |               |       |
| 2-92-3        |             |          |       |               |       |
| 1-91-7        |             |          |       |               |       |
| 1-11-1        |             |          |       |               |       |

| ITEM NO. POS.          | DESCRIPTION | MATERIAL | COLOR | ITEM NO. POS. | NOTES |
|------------------------|-------------|----------|-------|---------------|-------|
| HE.16.Sti.S.B 1-16-KM  |             |          |       |               |       |
| HE.16.Sti.S.B 17-32-AU |             |          |       |               |       |
| HE.16.Sti.S-T.B 8+4+4  |             |          |       |               |       |
| HE.16.Sti.S.B 1-16-AU  |             |          |       |               |       |
| HE.16.Sti.S.C.B 17-32  |             |          |       |               |       |
| HE.16.Sti.S.C.B 1-16   |             |          |       |               |       |
| HE.16.Sti.C.B 17-32    |             |          |       |               |       |
| HE.16.Sti.C 1-16       |             |          |       |               |       |
| HE.16.Sti.S-T.B 1-16   |             |          |       |               |       |
| HE.16.Sti.S.B 1-16     |             |          |       |               |       |

| ITEM NO. POS. | DESCRIPTION | MATERIAL | COLOR | ITEM NO. POS. | NOTES |
|---------------|-------------|----------|-------|---------------|-------|
| 0-19-4        |             |          |       |               |       |
| 1-89-5        |             |          |       |               |       |
| 7-97-1        |             |          |       |               |       |
| 2-92-3        |             |          |       |               |       |
| 1-91-7        |             |          |       |               |       |
| 1-11-1        |             |          |       |               |       |

| ITEM NO. POS. | DESCRIPTION | MATERIAL | COLOR | ITEM NO. POS. | NOTES |
|---------------|-------------|----------|-------|---------------|-------|
| 0-19-4        |             |          |       |               |       |
| 1-89-5        |             |          |       |               |       |
| 7-97-1        |             |          |       |               |       |
| 2-92-3        |             |          |       |               |       |
| 1-91-7        |             |          |       |               |       |
| 1-11-1        |             |          |       |               |       |

| ITEM NO. POS. | DESCRIPTION | MATERIAL | COLOR | ITEM NO. POS. | NOTES |
|---------------|-------------|----------|-------|---------------|-------|
| 0-19-4        |             |          |       |               |       |
| 1-89-5        |             |          |       |               |       |
| 7-97-1        |             |          |       |               |       |
| 2-92-3        |             |          |       |               |       |
| 1-91-7        |             |          |       |               |       |
| 1-11-1        |             |          |       |               |       |

| ITEM NO. POS. | DESCRIPTION | MATERIAL | COLOR | ITEM NO. POS. | NOTES |
|---------------|-------------|----------|-------|---------------|-------|
| 0-19-4        |             |          |       |               |       |
| 1-89-5        |             |          |       |               |       |
| 7-97-1        |             |          |       |               |       |
| 2-92-3        |             |          |       |               |       |
| 1-91-7        |             |          |       |               |       |
| 1-11-1        |             |          |       |               |       |

| ITEM NO. POS. | DESCRIPTION | MATERIAL | COLOR | ITEM NO. POS. | NOTES |
|---------------|-------------|----------|-------|---------------|-------|
| 0-19-4        |             |          |       |               |       |
| 1-89-5        |             |          |       |               |       |
| 7-97-1        |             |          |       |               |       |
| 2-92-3        |             |          |       |               |       |
| 1-91-7        |             |          |       |               |       |
| 1-11-1        |             |          |       |               |       |

| ITEM NO. POS. | DESCRIPTION | MATERIAL | COLOR | ITEM NO. POS. | NOTES |
|---------------|-------------|----------|-------|---------------|-------|
| 0-19-4        |             |          |       |               |       |
| 1-89-5        |             |          |       |               |       |
| 7-97-1        |             |          |       |               |       |
| 2-92-3        |             |          |       |               |       |
| 1-91-7        |             |          |       |               |       |
| 1-11-1        |             |          |       |               |       |

| ITEM NO. POS. | DESCRIPTION | MATERIAL | COLOR | ITEM NO. POS. | NOTES |
|---------------|-------------|----------|-------|---------------|-------|
| 0-19-4        |             |          |       |               |       |
| 1-89-5        |             |          |       |               |       |
| 7-97-1        |             |          |       |               |       |
| 2-92-3        |             |          |       |               |       |
| 1-91-7        |             |          |       |               |       |
| 1-11-1        |             |          |       |               |       |

| ITEM NO. POS. | DESCRIPTION | MATERIAL | COLOR | ITEM NO. POS. | NOTES |
|---------------|-------------|----------|-------|---------------|-------|
| 0-19-4        |             |          |       |               |       |
| 1-89-5        |             |          |       |               |       |
| 7-97-1        |             |          |       |               |       |
| 2-92-3        |             |          |       |               |       |
| 1-91-7        |             |          |       |               |       |
| 1-11-1        |             |          |       |               |       |

| ITEM NO. POS. | DESCRIPTION | MATERIAL | COLOR | ITEM NO. POS. | NOTES |
|---------------|-------------|----------|-------|---------------|-------|
| 0-19-4        |             |          |       |               |       |
| 1-89-5        |             |          |       |               |       |
| 7-97-1        |             |          |       |               |       |
| 2-92-3        |             |          |       |               |       |
| 1-91-7        |             |          |       |               |       |
| 1-11-1        |             |          |       |               |       |

| ITEM NO. POS. | DESCRIPTION | MATERIAL | COLOR | ITEM NO. POS. | NOTES |
|---------------|-------------|----------|-------|---------------|-------|
| 0-19-4        |             |          |       |               |       |
| 1-89-5        |             |          |       |               |       |
| 7-97-1        |             |          |       |               |       |
| 2-92-3        |             |          |       |               |       |
| 1-91-7        |             |          |       |               |       |
| 1-11-1        |             |          |       |               |       |

| ITEM NO. POS. | DESCRIPTION | MATERIAL | COLOR | ITEM NO. POS. | NOTES |
|---------------|-------------|----------|-------|---------------|-------|
| 0-19-4        |             |          |       |               |       |
| 1-89-5        |             |          |       |               |       |
| 7-97-1        |             |          |       |               |       |
| 2-92-3        |             |          |       |               |       |
| 1-91-7        |             |          |       |               |       |
| 1-11-1        |             |          |       |               |       |

| ITEM NO. POS. | DESCRIPTION | MATERIAL | COLOR | ITEM NO. POS. | NOTES |
|---------------|-------------|----------|-------|---------------|-------|
| 0-19-4        |             |          |       |               |       |
| 1-89-5        |             |          |       |               |       |
| 7-97-1        |             |          |       |               |       |
| 2-92-3        |             |          |       |               |       |
| 1-91-7        |             |          |       |               |       |
| 1-11-1        |             |          |       |               |       |

| ITEM NO. POS. | DESCRIPTION | MATERIAL | COLOR | ITEM NO. POS. | NOTES |
|---------------|-------------|----------|-------|---------------|-------|
| 0-19-4        |             |          |       |               |       |
| 1-89-5        |             |          |       |               |       |
| 7-97-1        |             |          |       |               |       |
| 2-92-3        |             |          |       |               |       |
| 1-91-7        |             |          |       |               |       |
| 1-11-1        |             |          |       |               |       |

| ITEM NO. POS. | DESCRIPTION | MATERIAL | COLOR | ITEM NO. POS. | NOTES |
|---------------|-------------|----------|-------|---------------|-------|
| 0-19-4        |             |          |       |               |       |
| 1-89-5        |             |          |       |               |       |
| 7-97-1        |             |          |       |               |       |
| 2-92-3        |             |          |       |               |       |
| 1-91-7        |             |          |       |               |       |
| 1-11-1        |             |          |       |               |       |

| ITEM NO. POS. | DESCRIPTION | MATERIAL | COLOR | ITEM NO. POS. | NOTES |
|---------------|-------------|----------|-------|---------------|-------|
| 0-19-4        |             |          |       |               |       |
| 1-89-5        |             |          |       |               |       |
| 7-97-1        |             |          |       |               |       |
| 2-92-3        |             |          |       |               |       |
| 1-91-7        |             |          |       |               |       |
| 1-11-1        |             |          |       |               |       |

| ITEM NO. POS. | DESCRIPTION | MATERIAL | COLOR | ITEM NO. POS. | NOTES |
|---------------|-------------|----------|-------|---------------|-------|
| 0-19-4        |             |          |       |               |       |
| 1-89-5        |             |          |       |               |       |
| 7-97-1        |             |          |       |               |       |
| 2-92-3        |             |          |       |               |       |
| 1-91-7        |             |          |       |               |       |
| 1-11-1        |             |          |       |               |       |

| ITEM NO. POS. | DESCRIPTION | MATERIAL | COLOR | ITEM NO. POS. | NOTES |
|---------------|-------------|----------|-------|---------------|-------|
| 0-19-4        |             |          |       |               |       |
| 1-89-5        |             |          |       |               |       |
| 7-97-1        |             |          |       |               |       |
| 2-92-3        |             |          |       |               |       |
| 1-91-7        |             |          |       |               |       |
| 1-11-1        |             |          |       |               |       |

| ITEM NO. POS. | DESCRIPTION | MATERIAL | COLOR | ITEM NO. POS. | NOTES |
|---------------|-------------|----------|-------|---------------|-------|
| 0-19-4        |             |          |       |               |       |
| 1-89-5        |             |          |       |               |       |
| 7-97-1        |             |          |       |               |       |
| 2-92-3        |             |          |       |               |       |
| 1-91-7        |             |          |       |               |       |
| 1-11-1        |             |          |       |               |       |

| ITEM NO. POS. | DESCRIPTION | MATERIAL | COLOR | ITEM NO. POS. | NOTES |
|---------------|-------------|----------|-------|---------------|-------|
| 0-19-4        |             |          |       |               |       |
| 1-89-5        |             |          |       |               |       |
| 7-97-1        |             |          |       |               |       |
| 2-92-3        |             |          |       |               |       |
| 1-91-7        |             |          |       |               |       |
| 1-11-1        |             |          |       |               |       |

| ITEM NO. POS. | DESCRIPTION | MATERIAL | COLOR | ITEM NO. POS. | NOTES |
|---------------|-------------|----------|-------|---------------|-------|
| 0-19-4        |             |          |       |               |       |
| 1-89-5        |             |          |       |               |       |
| 7-97-1        |             |          |       |               |       |
| 2-92-3        |             |          |       |               |       |
| 1-91-7        |             |          |       |               |       |
| 1-11-1        |             |          |       |               |       |

| ITEM NO. POS. | DESCRIPTION | MATERIAL | COLOR | ITEM NO. POS. | NOTES |
|---------------|-------------|----------|-------|---------------|-------|
| 0-19-4        |             |          |       |               |       |
| 1-89-5        |             |          |       |               |       |
| 7-97-1        |             |          |       |               |       |
| 2-92-3        |             |          |       |               |       |
| 1-91-7        |             |          |       |               |       |
| 1-11-1        |             |          |       |               |       |

| ITEM NO. POS. | DESCRIPTION | MATERIAL | COLOR | ITEM NO. POS. | NOTES |
|---------------|-------------|----------|-------|---------------|-------|
| 0-19-4        |             |          |       |               |       |
| 1-89-5        |             |          |       |               |       |
| 7-97-1        |             |          |       |               |       |
| 2-92-3        |             |          |       |               |       |
| 1-91-7        |             |          |       |               |       |
| 1-11-1        |             |          |       |               |       |

| ITEM NO. POS. | DESCRIPTION | MATERIAL | COLOR | ITEM NO. POS. | NOTES |
|---------------|-------------|----------|-------|---------------|-------|
| 0-19-4        |             |          |       |               |       |
| 1-89-5        |             |          |       |               |       |
| 7-97-1        |             |          |       |               |       |
| 2-92-3        |             |          |       |               |       |
| 1-91-7        |             |          |       |               |       |
| 1-11-1        |             |          |       |               |       |

| ITEM NO. POS. | DESCRIPTION | MATERIAL | COLOR | ITEM NO. POS. | NOTES |
|---------------|-------------|----------|-------|---------------|-------|
| 0-19-4        |             |          |       |               |       |
| 1-89-5        |             |          |       |               |       |
| 7-97-1        |             |          |       |               |       |
| 2-92-3        |             |          |       |               |       |
| 1-91-7        |             |          |       |               |       |
| 1-11-1        |             |          |       |               |       |

| ITEM NO. POS. | DESCRIPTION | MATERIAL | COLOR | ITEM NO. POS. | NOTES |
|---------------|-------------|----------|-------|---------------|-------|
| 0-19-4        |             |          |       |               |       |
| 1-89-5        |             |          |       |               |       |
| 7-97-1        |             |          |       |               |       |
| 2-92-3        |             |          |       |               |       |
| 1-91-7        |             |          |       |               |       |
| 1-11-1        |             |          |       |               |       |

| ITEM NO. POS. | DESCRIPTION | MATERIAL | COLOR | ITEM NO. POS. | NOTES |
|---------------|-------------|----------|-------|---------------|-------|
| 0-19-4        |             |          |       |               |       |
| 1-89-5        |             |          |       |               |       |
| 7-97-1        |             |          |       |               |       |
| 2-92-3        |             |          |       |               |       |
| 1-91-7        |             |          |       |               |       |
| 1-11-1        |             |          |       |               |       |

| ITEM NO. POS. | DESCRIPTION | MATERIAL | COLOR | ITEM NO. POS. | NOTES |
|---------------|-------------|----------|-------|---------------|-------|
| 0-19-4        |             |          |       |               |       |
| 1-89-5        |             |          |       |               |       |
| 7-97-1        |             |          |       |               |       |
| 2-92-3        |             |          |       |               |       |
| 1-91-7        |             |          |       |               |       |
| 1-11-1        |             |          |       |               |       |

| ITEM NO. POS. | DESCRIPTION | MATERIAL | COLOR | ITEM NO. POS. | NOTES |
|---------------|-------------|----------|-------|---------------|-------|
| 0-19-4        |             |          |       |               |       |