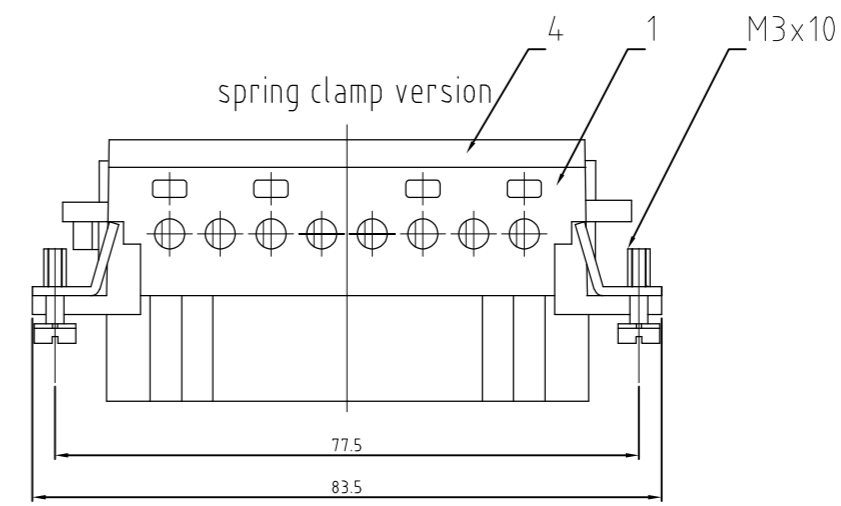
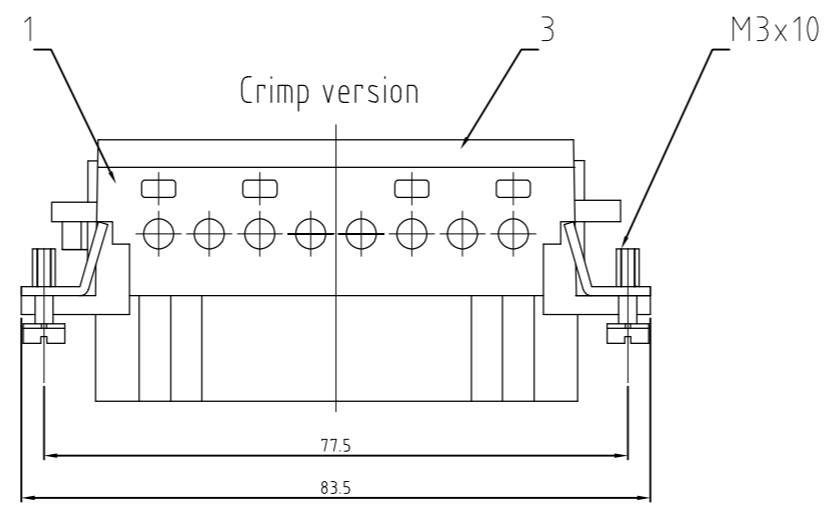
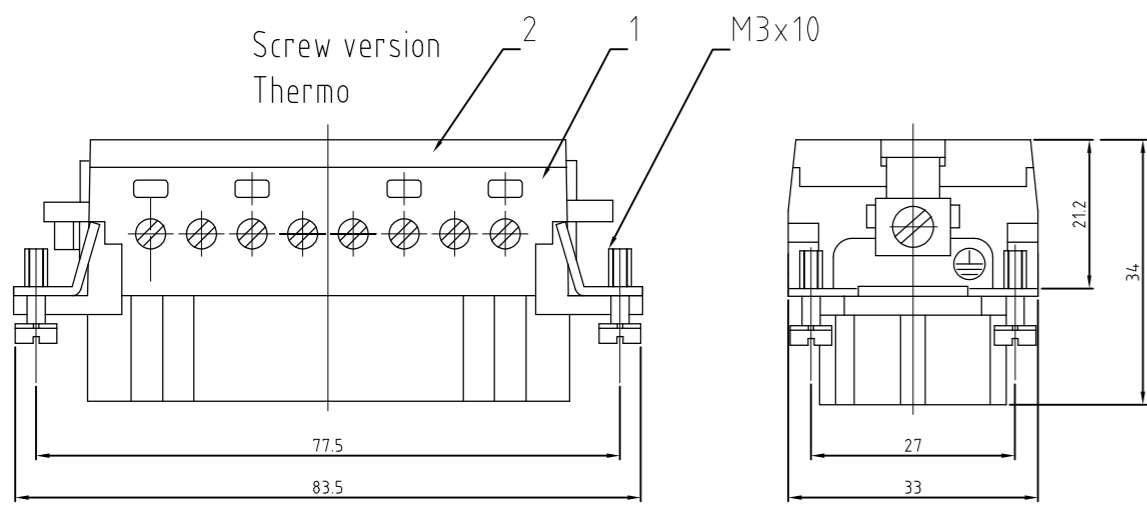


THIS DRAWING IS UNPUBLISHED.
VERTRAULICHE UNVERÖFFENTLICHTE ZEICHNUNG

RELEASED FOR PUBLICATION
FREI FUER VERÖFFENTLICHUNG
ALL RIGHTS RESERVED.
ALLE RECHTE VORBEHALTEN

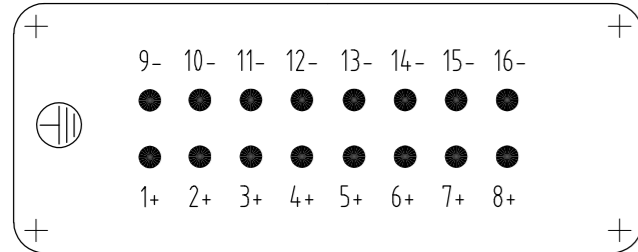
MATED WITH:
PASSEND ZU:
HE

REVISIONS ÄNDERUNGEN				
P	LTR	DESCRIPTION BESCHREIBUNG	DATE	DWN APVD
C9		AS PER ECR-16-009336	07DEC2016	GCM MKO

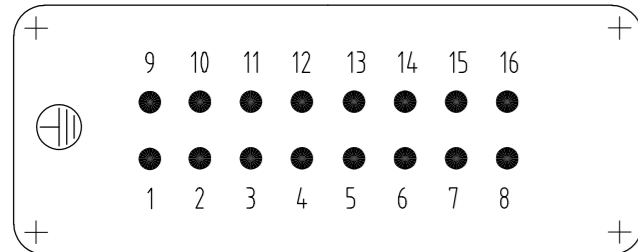


Contact arrangement view from termination side

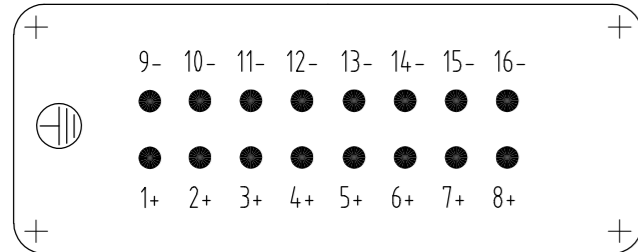
Printing 1-16 Thermo



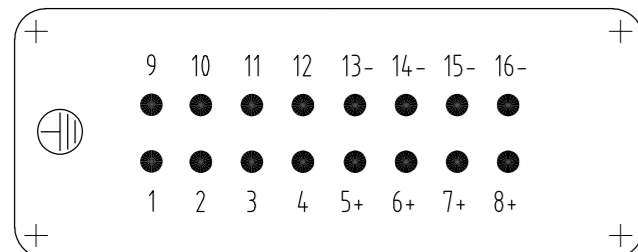
Printing 1-16 Screw



Printing 1-16 Thermo

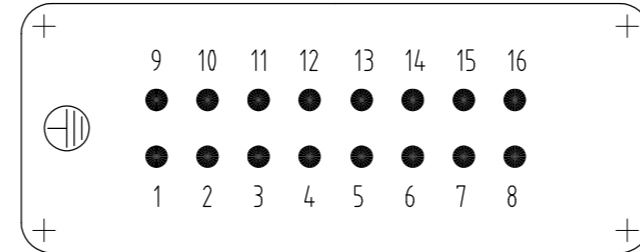


Printing 8+4+4 Screw/Thermo

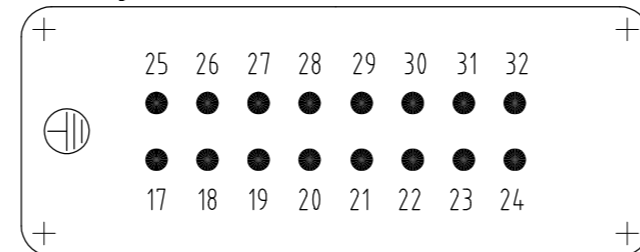


Contact arrangement view from termination side

Printing 1-16

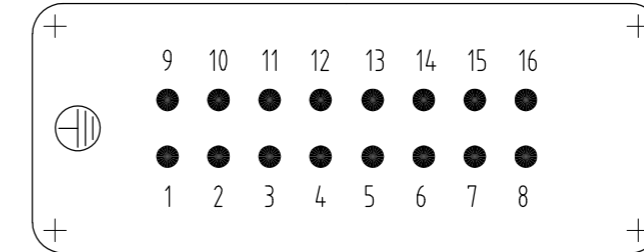


Printing 17-32

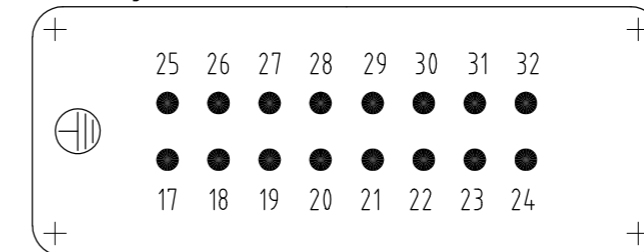


Contact arrangement view from termination side

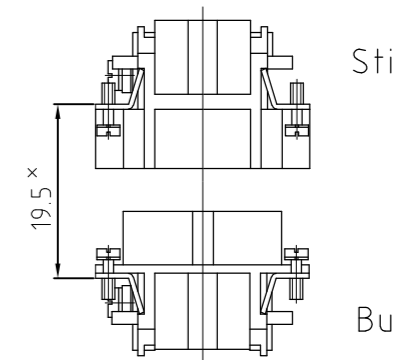
Printing 1-16



Printing 17-32



assembly directions

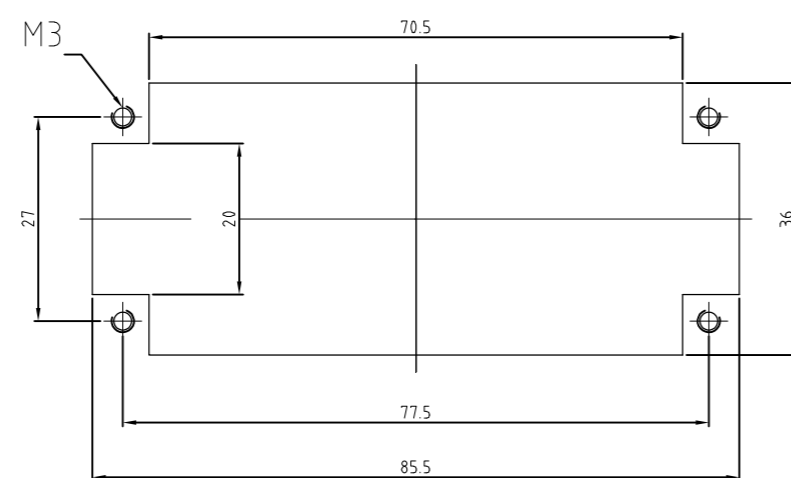


distance for a safe contact max: max: 21 mm

NOTES:

- SUITABLE CRIMP CONTACTS: SERIES HE/HA
OUTER DIMENSIONS OF INSULATION: MAX. Ø3,2 MM
- SUITABLE HOOD SIZE 6; 10; SERIES HB; HD;HIP,EMV
SUITABLE INSERTION AND EXTRACTION TOOL:
SCREWDRIVER 0,5x3 DIN 5264
- Strip lenght: Screw conection 10mm
Spring clamp conection 10mm Crimp conection 7.5mm
- STANDARDS:
DIN EN 61984; DIN EN 60664-1
- PACKAGING:
5 SETS IN A CARTON, PRE-MOUNTED
- SPECIAL PACKAGING: Krauss-Maffei
PACKAGING UNIT: 200 PIECES

Panel cut-out for contact insert when used without housing



ORDERING TEXT / BESTELLTEXT	DESCRIPTION / BENENNUNG	MATERIAL	COLOR / FARBE	ITEM NO. POS.	REMARKS / BEMERKUNGEN
HE.16.Bu.S.B1-16-KM	Deckel Federklemmversion		lichtgrau	4	
HE.16.Bu.S.-T.B.8+4+4	Deckel Crimpversion		lichtgrau	3	
HE.16.Bu.S.B.1-16-AU	Deckel Schraubversion		lichtgrau	2	
HE.16.Bu.S.C.B.17-32	Buchseinsatz		lichtgrau	1	
HE.16.Bu.S.C.B.1-16					
HE.16.Bu.C.B.17-32					
HE.16.Bu.C.B.1-16					
HE.16.Bu.S.B.17-32					
HE.16.Bu.S.B.1-16					

THIS DRAWING IS A CONTROLLED DOCUMENT.
DIESE ZEICHNUNG IST EIN KONTROLLIERTES DOKUMENT.

DIMENSIONS: MASSENHEITEN mm
TOLERANCES UNLESS OTHERWISE SPECIFIED: ALLGEMEINTOLERANZEN

0 PLC ±
1 PLC ±
2 PLC ±
3 PLC ±
4 PLC ±

ANGLES / WINKEL ±
FINISH / OBERFLAECHE / FARBE

DWN 08.02.2000
CHK 08.02.2000

Schneider
Schweiger

APVD

PRODUCT SPEC
PRODUKTSPEZ.

APPLICATION SPEC.
VERARBEITUNGSSPEZ.

WEIGHT
GEWICHT

CUSTOMER DRAWING / KUNDENZEICHNUNG

SCALE
MASSTAB 1:1

SHEET
BLATT 1 von 1

REV
C9

TE Connectivity
Female insert
HE.16.BU.C/S

SIZE A2
CAGE CODE 00779
DRAWING NO. ZEICHNUNGS-NR. C=1103639