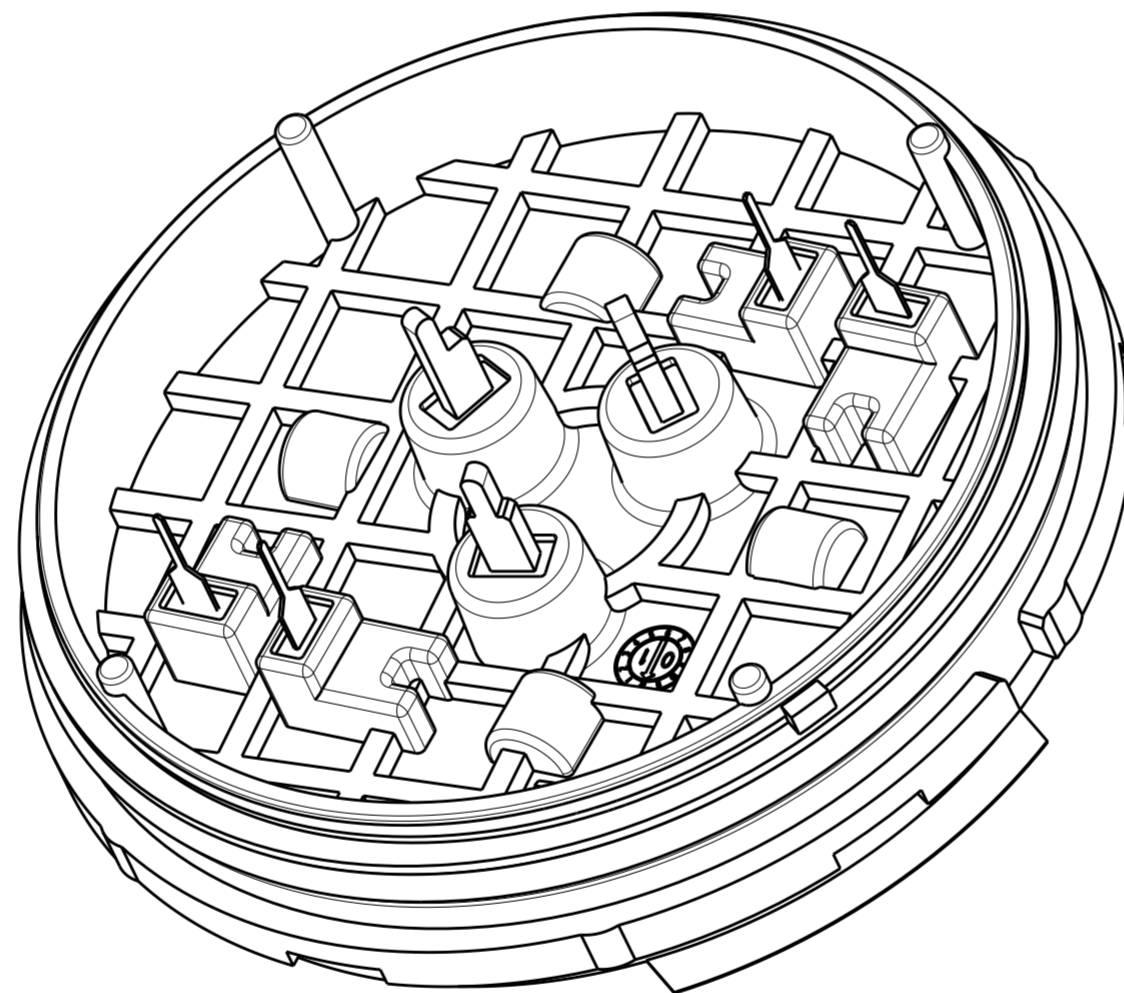
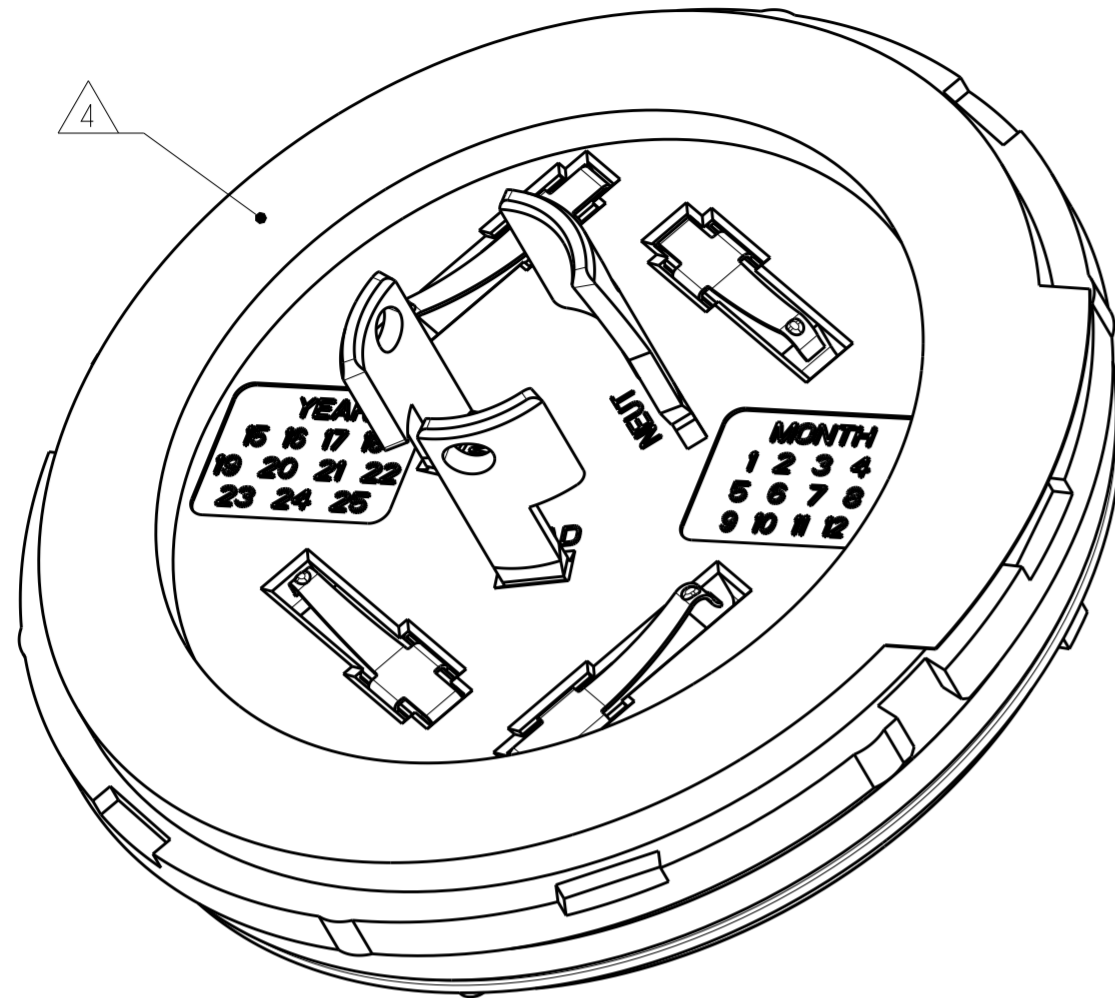


THIS DRAWING IS UNPUBLISHED. RELEASED FOR PUBLICATION 20
 © COPYRIGHT 20 BY - ALL RIGHTS RESERVED.

REVISIONS					
P	LTR	DESCRIPTION	DATE	DWN	APVD
	A	REVISED PER ECO-17-009928	11JUL2017	SK	DD



- 1 MATERIALS:
 HOUSING: PBT
 DIMMING CONTACTS (QTY. 4): COPPER ALLOY
 LINE VOLTAGE CONTACTS (QTY. 3): COPPER ALLOY
 GASKET: CROSS-LINKED POLYETHYLENE
 O-RING: SILICONE RUBBER
- 2 FINISH:
 DIMMING CONTACTS: NICKEL UNDERPLATE ENTIRE
 CONTACT 0.127 µm MIN THICK. SELECTIVE GOLD PLATE CONTACT
 MATING AREA (MATING FACE SIDE ONLY) 0.76 µm MIN THICK.
 MATTE TIN PLATE TAB ON BOTH SIDES 0.30 µm MIN THICK.
 LINE VOLTAGE CONTACTS: MATTE TIN PLATE
- 3 MATING INTERFACE PER ANSI C136.41-2013.
- 4 ADHESIVE BACKED GASKET SUPPLIED BUT NOT INSTALLED.
- 5 ADDITIONAL COVERS AND SLEEVES OF VARIOUS HEIGHTS ARE AVAILABLE. CONTACT TE CONNECTIVITY FOR MORE OPTIONS.
- 6. NOTE DELETED.
- 7. THIS PRODUCT HAS NOT COMPLETED VALIDATION TESTING.

2213996-X	2306130-X	5	Ø82.24	Ø78.54	Ø70.70	Ø72.25	Ø77.53	Ø77.74	Ø81.15	1-2213871-2
2213996-X	2306130-X	7	Ø82.24	Ø78.54	Ø70.70	Ø72.25	Ø77.53	Ø77.74	Ø81.15	2213871-2
2213805-X	2213748-X	5	Ø77.00	Ø76.96	Ø65.00	Ø66.75	Ø71.23	Ø72.00	Ø76.00	1-2213871-1
2213805-X	2213748-X	7	Ø77.00	Ø76.96	Ø65.00	Ø66.75	Ø71.23	Ø72.00	Ø76.00	2213871-1
REPRESENTATIVE SLEEVE P/N 5	REPRESENTATIVE COVER P/N 5	CONTACT POSITIONS	DIM Y	DIM X	DIM N	DIM M MAX WITH SLEEVE	DIM M MAX W/OUT SLEEVE	DIM F	DIM E	PART NO.

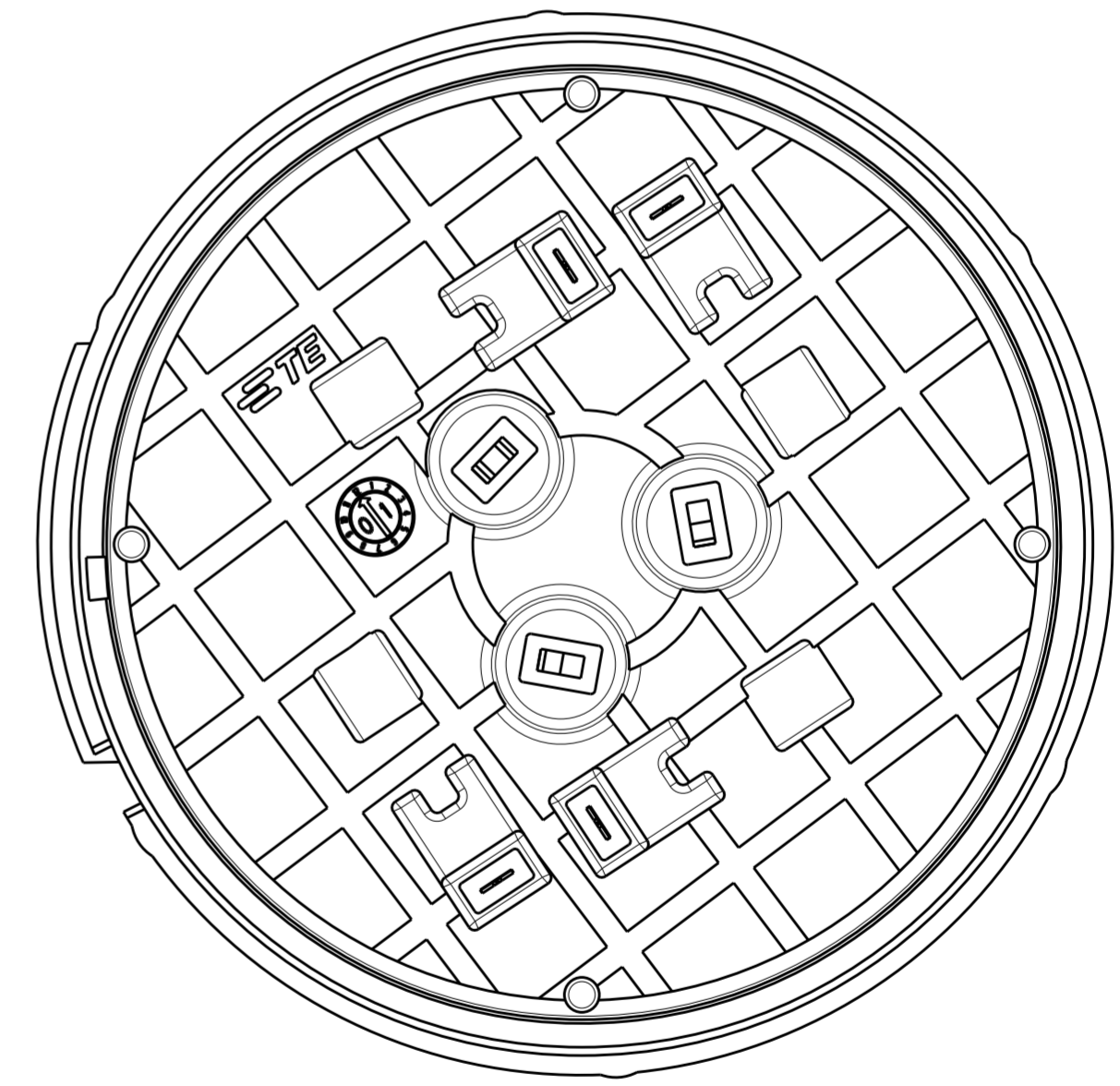
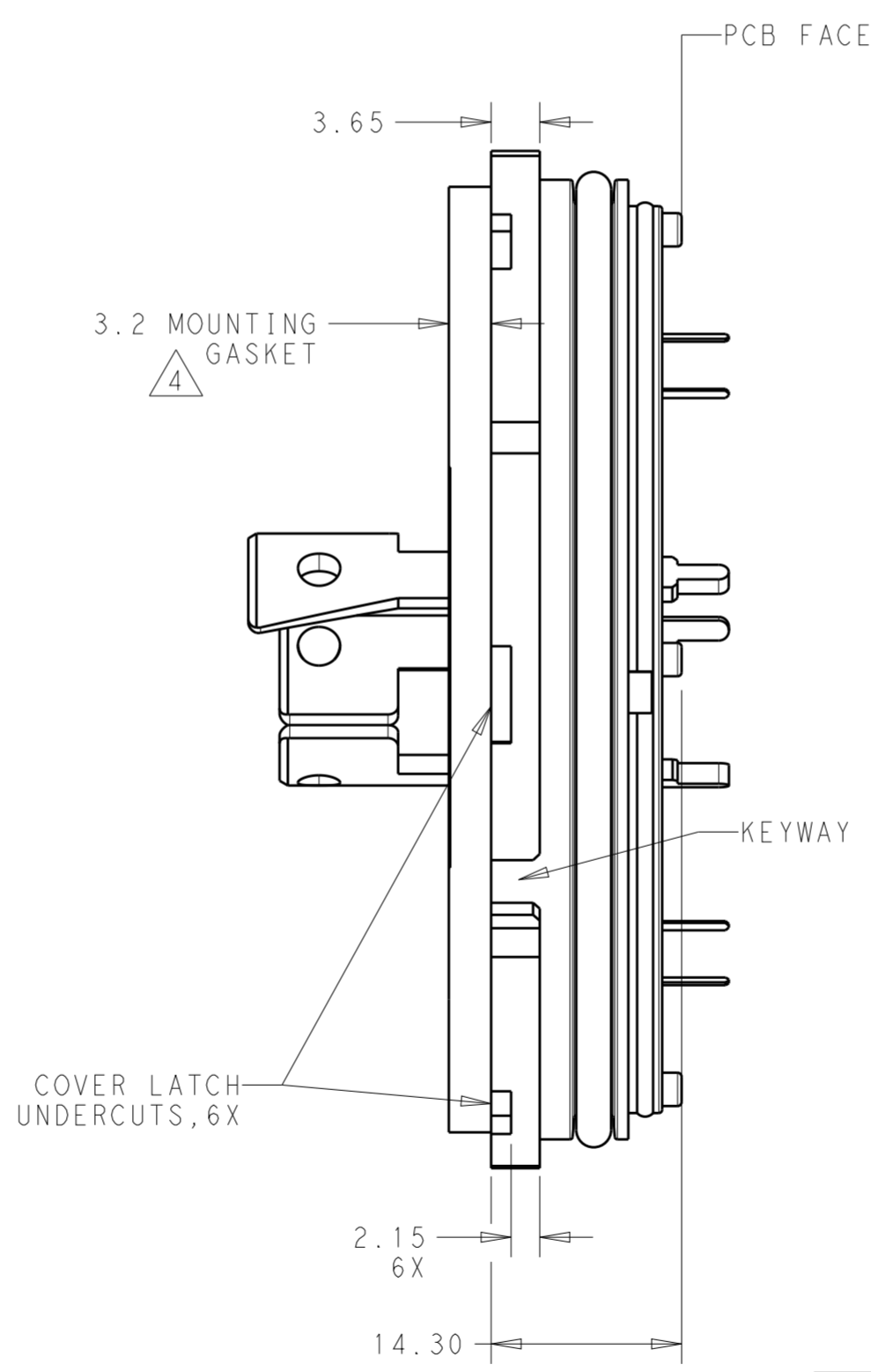
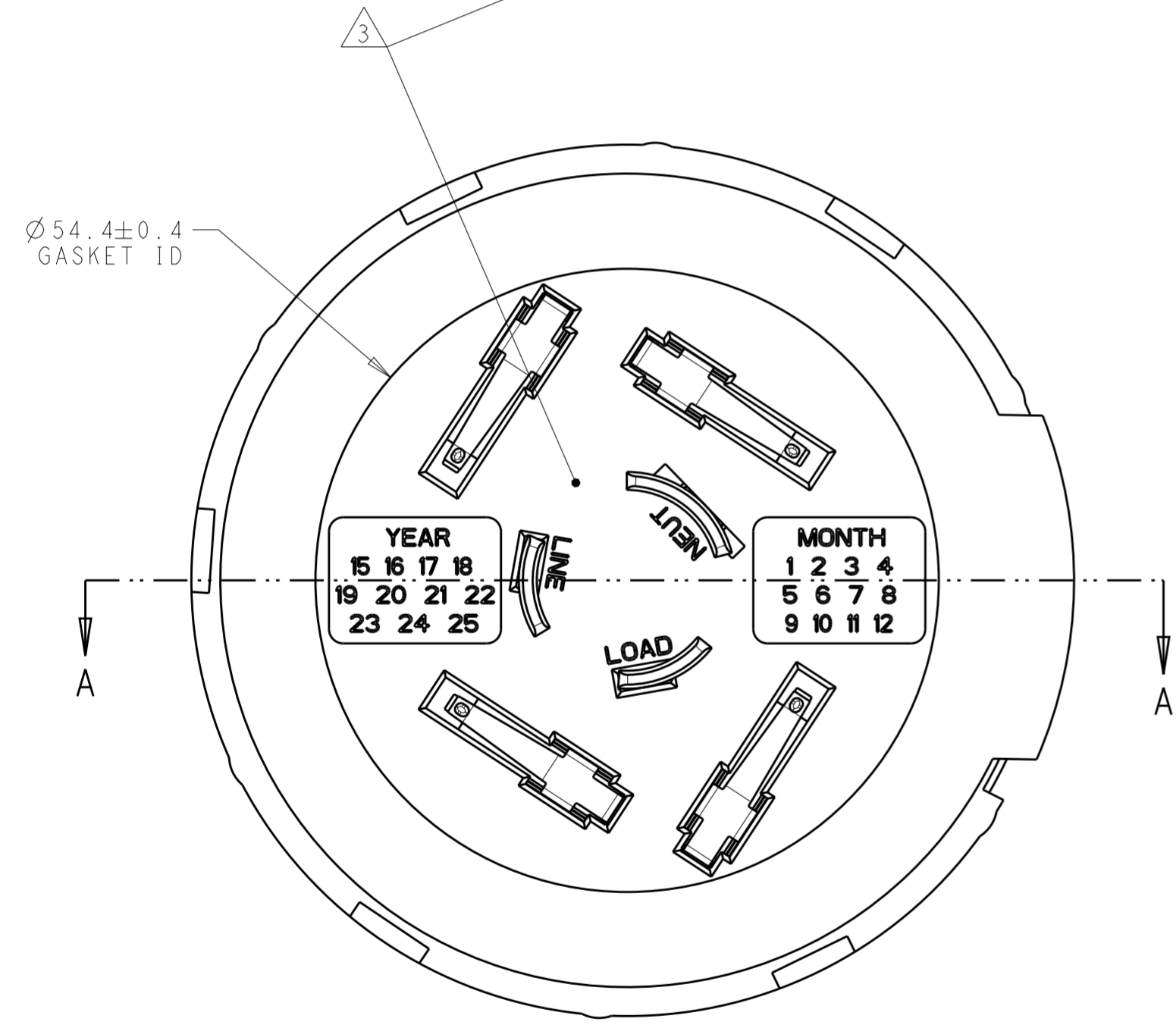
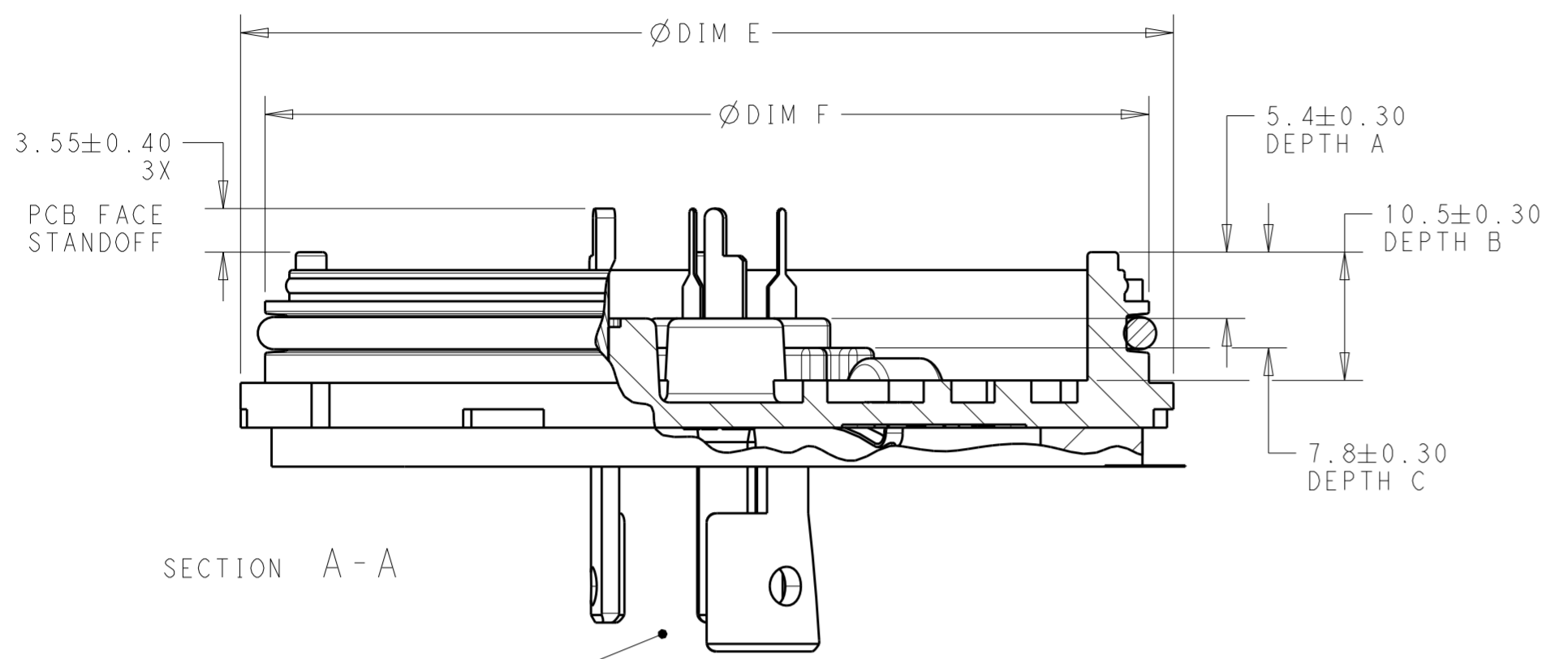
THIS DRAWING IS A CONTROLLED DOCUMENT.

DWN J. SHAFFER 23MAR2016	TE Connectivity
CHK E. HOWARD 23MAR2016	
APVD -	NAME
PRODUCT SPEC	BASE ASSEMBLY, LIGHT CONTROLLER, SLEEVE COMPATIBLE
APPLICATION SPEC	108-32125
WEIGHT	114-32159
CUSTOMER DRAWING	SCALE 2:1 SHEET 1 OF 5 REV A

RESTRICTED TO

THIS DRAWING IS UNPUBLISHED. RELEASED FOR PUBLICATION 20
 © COPYRIGHT 20 BY - ALL RIGHTS RESERVED.

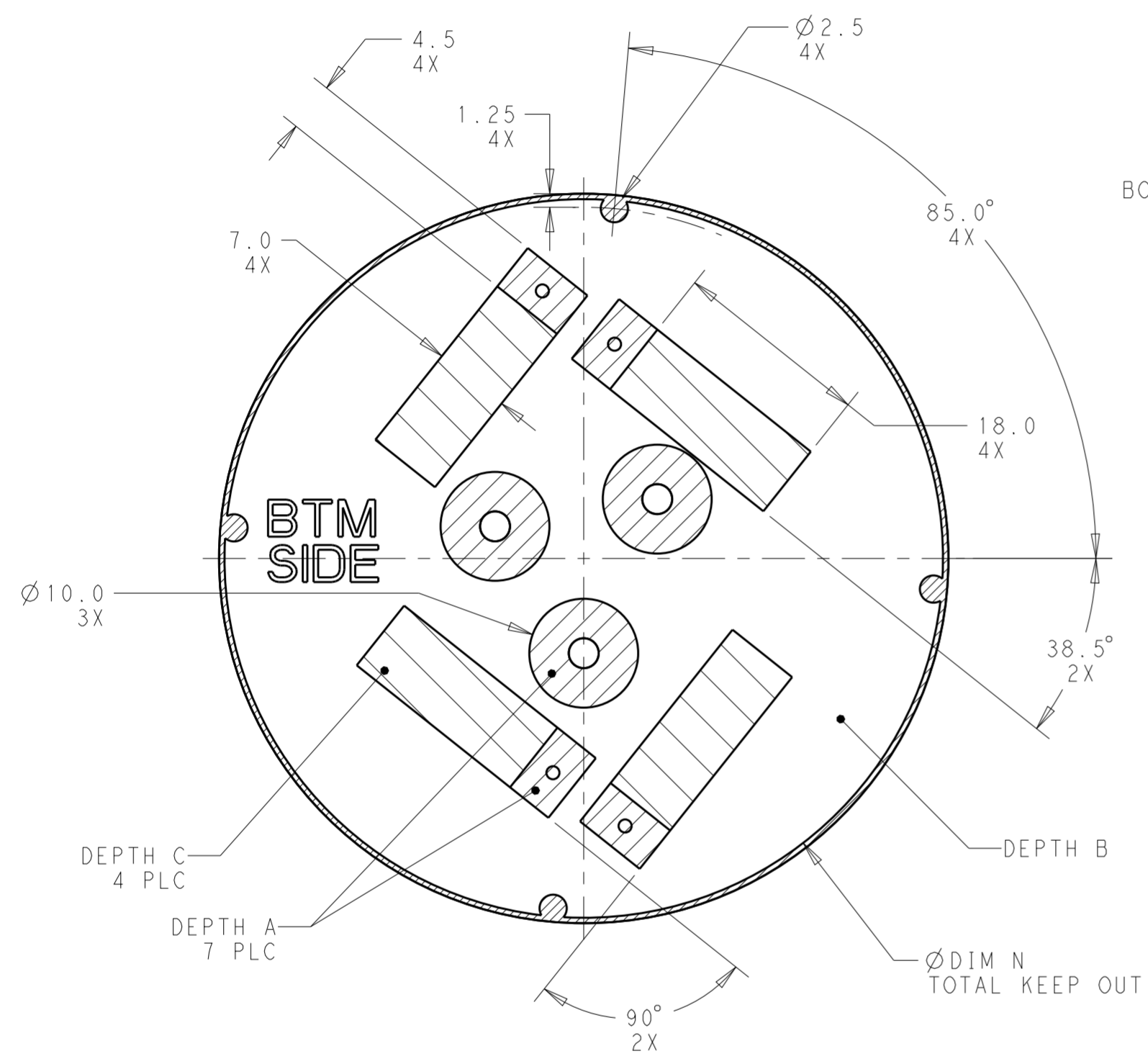
REVISIONS				
P	LTR	DESCRIPTION	DATE	APVD
-	-	SEE SHEET 1	-	-



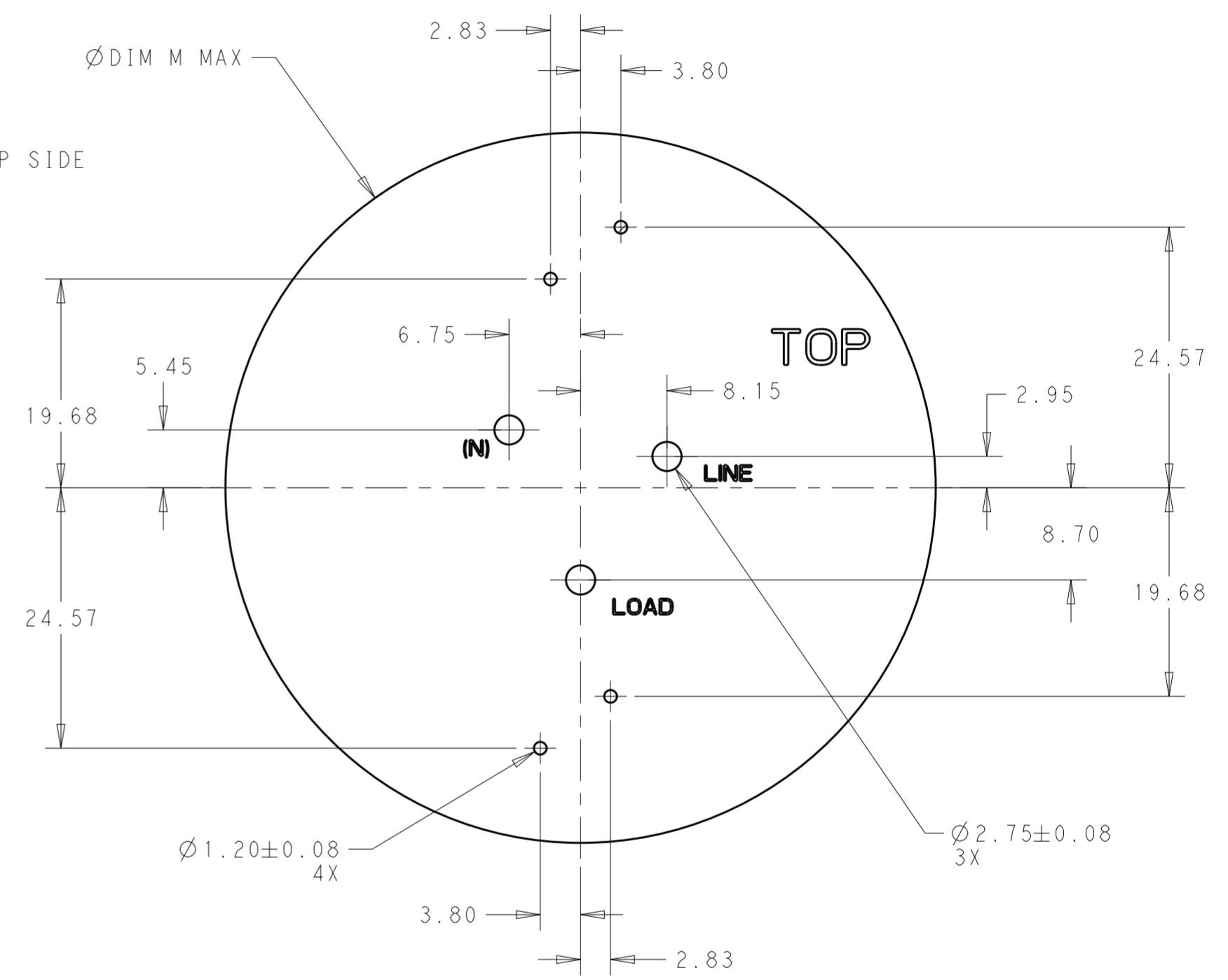
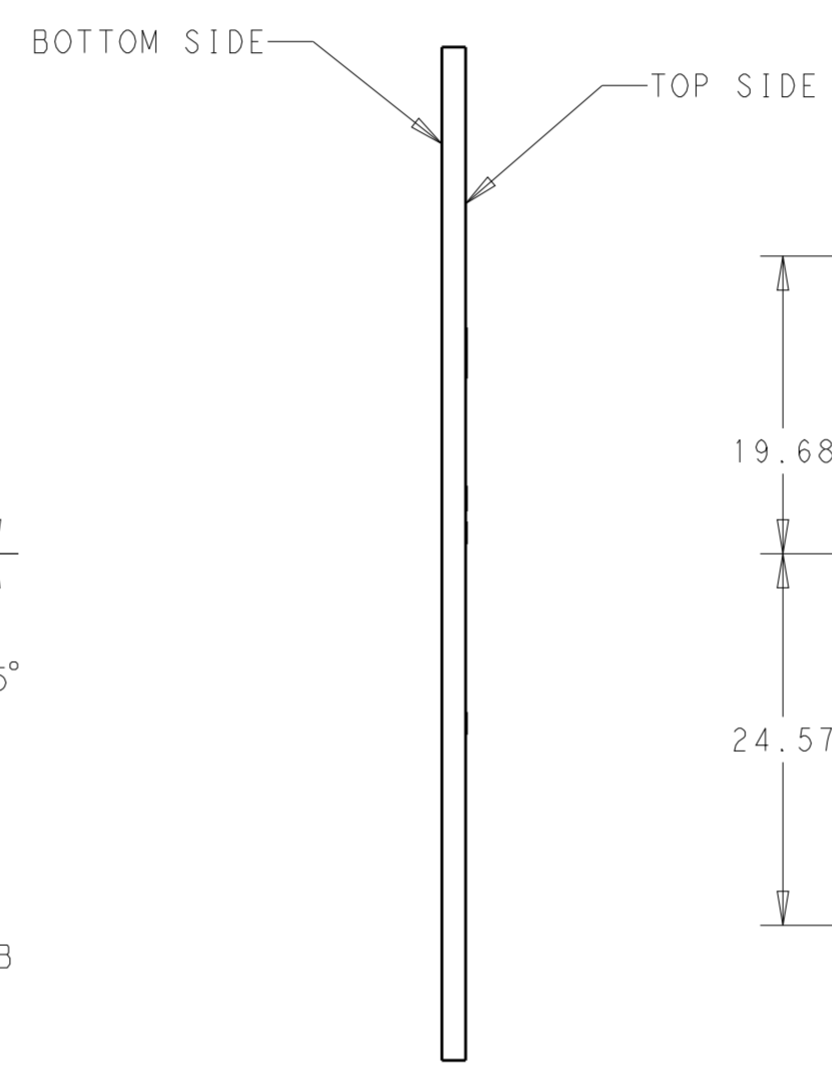
THIS DRAWING IS A CONTROLLED DOCUMENT.		DWN J. SHAFFER 23MAR2016	TE Connectivity	
		CHK E. HOWARD 23MAR2016		
DIMENSIONS: mm		TOLERANCES UNLESS OTHERWISE SPECIFIED: 0 PLC ± 1 PLC ±0.2 2 PLC ±0.13 3 PLC ± 4 PLC ± ANGLES ±3° FINISH -		NAME BASE ASSEMBLY, LIGHT CONTROLLER, SLEEVE COMPATIBLE
MATERIAL -		PRODUCT SPEC 108-32125 APPLICATION SPEC 114-32159 WEIGHT -		SIZE A2
		CUSTOMER DRAWING		CAGE CODE - DRAWING NO G-2213871 RESTRICTED TO -
		SCALE 2:1		SHEET 2 OF 5 REV A

THIS DRAWING IS UNPUBLISHED. RELEASED FOR PUBLICATION 20
 © COPYRIGHT 20 BY - ALL RIGHTS RESERVED.

REVISIONS				
P	LTR	DESCRIPTION	DATE	APVD
-	-	SEE SHEET 1	-	-



COMPONENT KEEP OUT AREAS

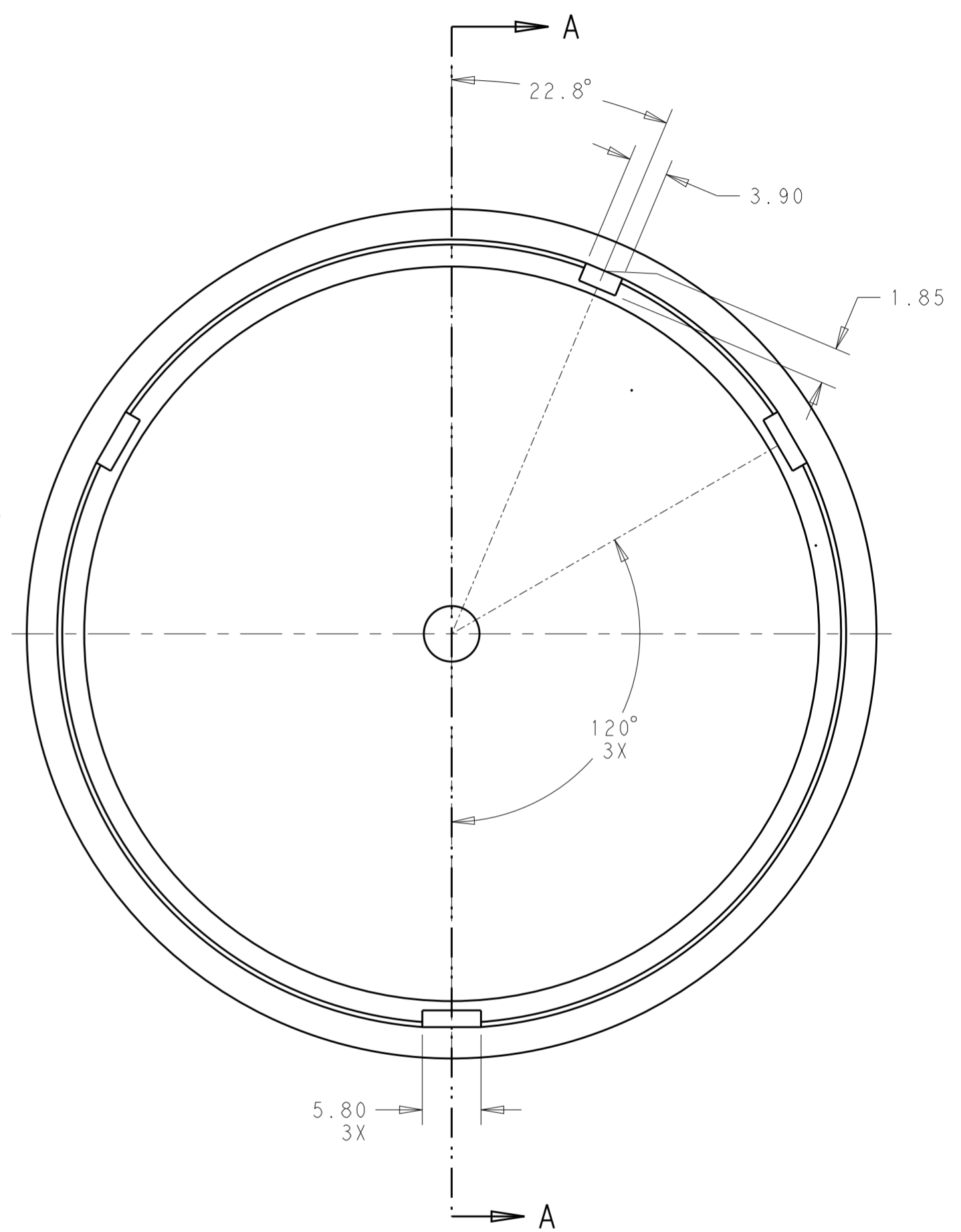
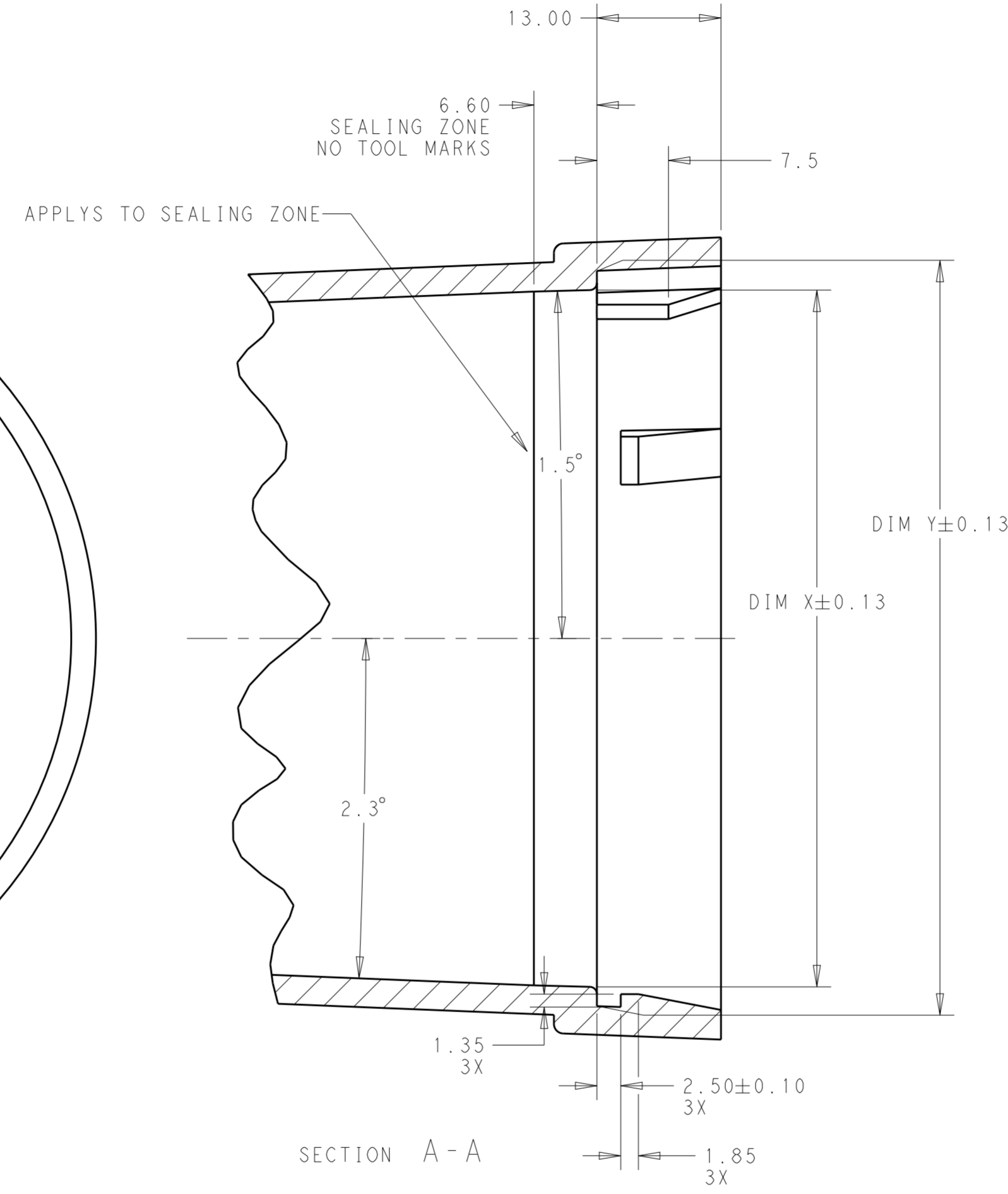
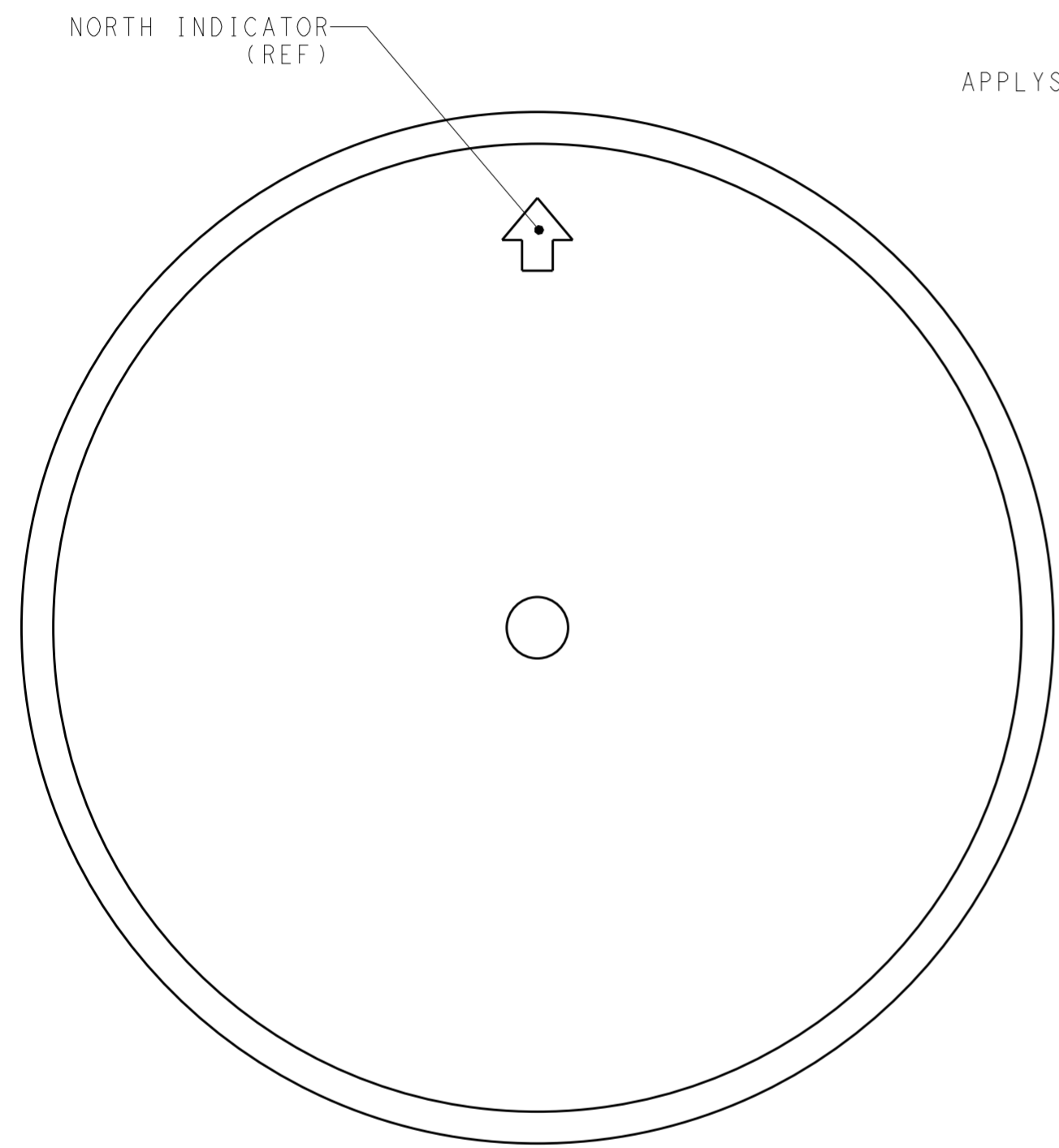


RECOMMENDED PCB SCALE 2:1

THIS DRAWING IS A CONTROLLED DOCUMENT.		DWN J. SHAFFER 23MAR2016	STE TE Connectivity
		CHK E. HOWARD 23MAR2016	
DIMENSIONS: mm		APVD -	NAME BASE ASSEMBLY, LIGHT CONTROLLER, SLEEVE COMPATIBLE
TOLERANCES UNLESS OTHERWISE SPECIFIED:		PRODUCT SPEC 108-32125	SIZE A2
0 PLC ±	1 PLC ±0.2	APPLICATION SPEC 114-32159	CAGE CODE -
2 PLC ±0.13	3 PLC ±	WEIGHT -	DRAWING NO. C-2213871
4 PLC ±	ANGLES ±3°	CUSTOMER DRAWING	RESTRICTED TO -
FINISH -	-	SCALE 2:1	SHEET 3 OF 5
-	-	REV A	

THIS DRAWING IS UNPUBLISHED. RELEASED FOR PUBLICATION 20
 © COPYRIGHT 20 BY - ALL RIGHTS RESERVED.

REVISIONS				
P	LTR	DESCRIPTION	DATE	APVD
-	-	SEE SHEET 1	-	-

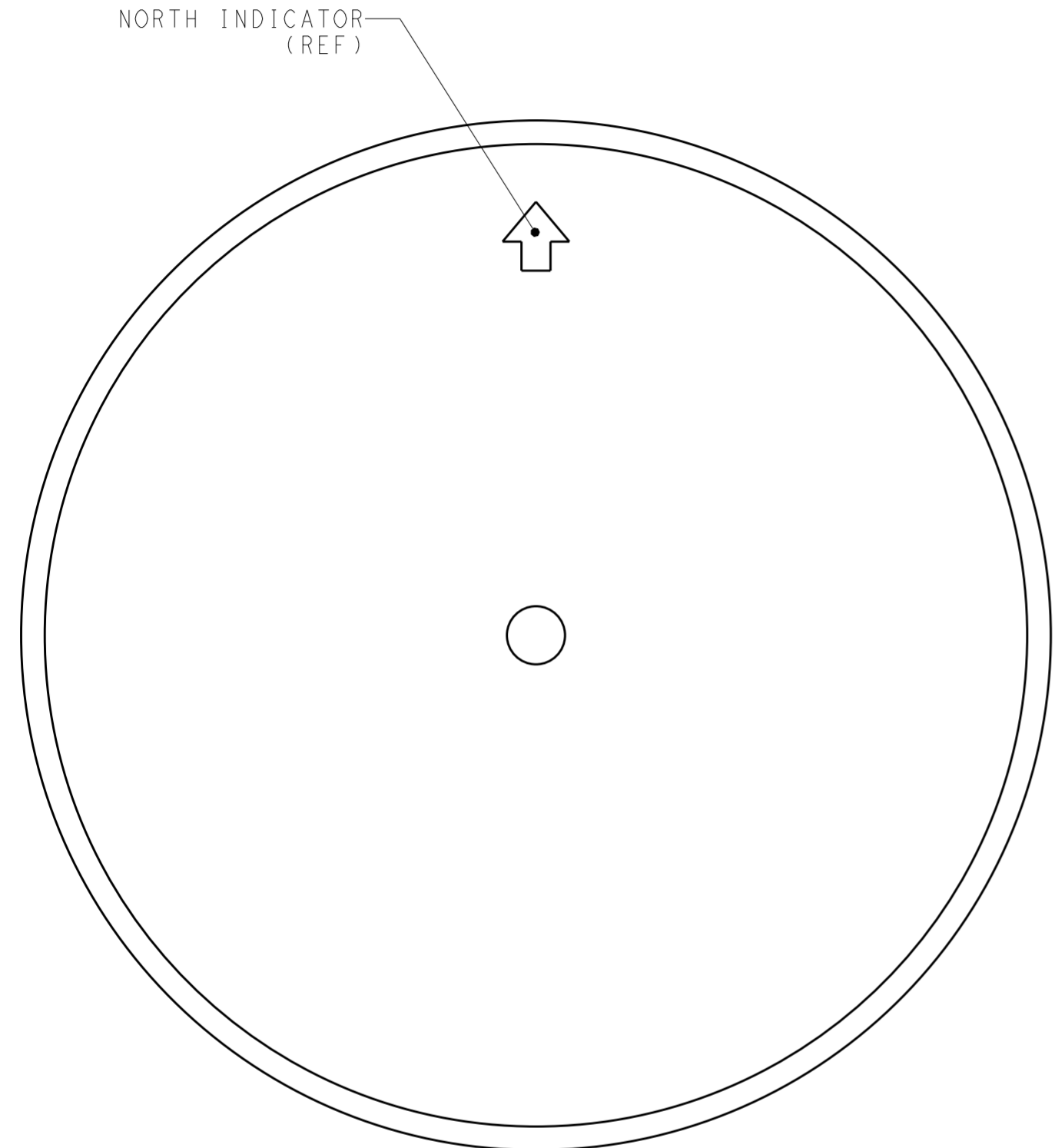


MATING COVER DIMENSIONS
 FOR
 76MM DIAMETER BASES
 (2213871-1, 1-2213871-1)

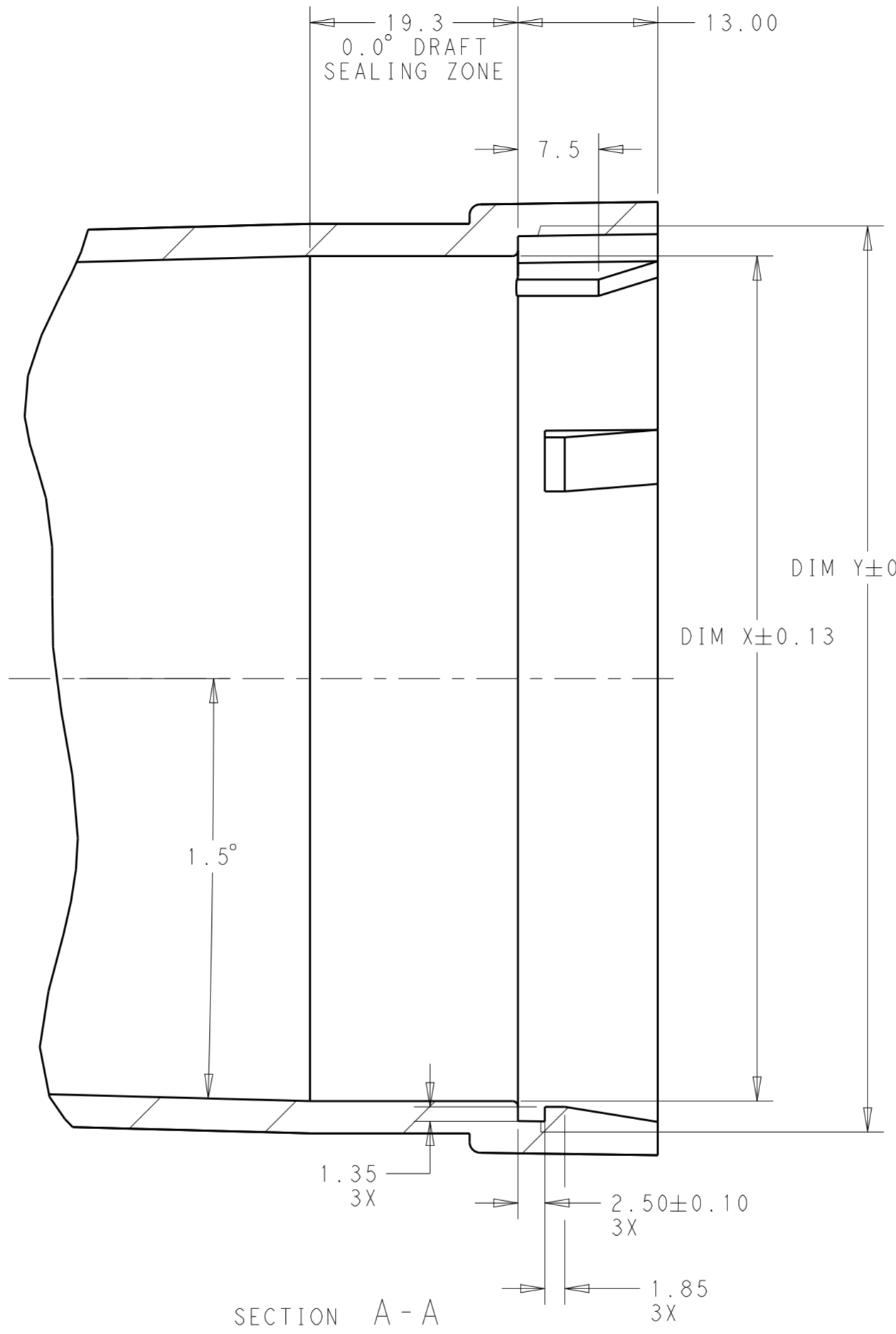
THIS DRAWING IS A CONTROLLED DOCUMENT.		DWN J. SHAFFER 23MAR2016	STE TE Connectivity	
		CHK E. HOWARD 23MAR2016		
DIMENSIONS:		APVD -	NAME	
mm	TOLERANCES UNLESS OTHERWISE SPECIFIED:	PRODUCT SPEC	BASE ASSEMBLY, LIGHT CONTROLLER, SLEEVE COMPATIBLE	
0 PLC ±	1 PLC ±0.2	108-32125	SIZE	RESTRICTED TO
2 PLC ±0.13	3 PLC ±	APPLICATION SPEC	A2	-
4 PLC ±	ANGLES ±3°	114-32159	CAGE CODE	DRAWING NO
MATERIAL	FINISH	WEIGHT	-	G-2213871
-	-	CUSTOMER DRAWING	SCALE 2:1	SHEET 4 OF 5
				REV A

THIS DRAWING IS UNPUBLISHED. RELEASED FOR PUBLICATION 20
 © COPYRIGHT 20 BY - ALL RIGHTS RESERVED.

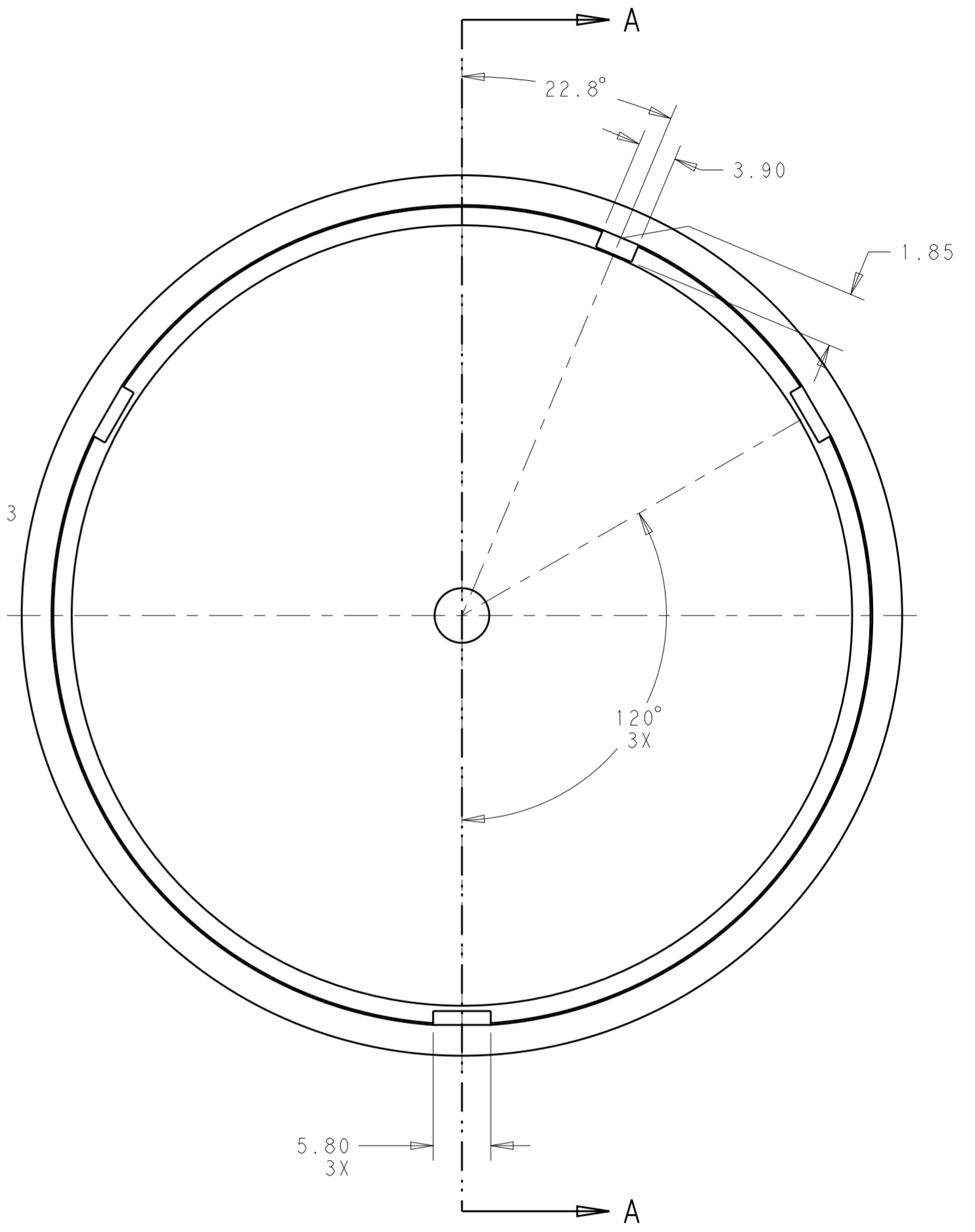
REVISIONS				
P	LTR	DESCRIPTION	DATE	APVD
-	-	SEE SHEET 1	-	-




SCALE 2:1



SECTION A - A



MATING COVER DIMENSIONS
 FOR
 81MM DIAMETER BASES
 (2213871-2, 1-2213871-2)

THIS DRAWING IS A CONTROLLED DOCUMENT.		DWN J. SHAFFER 23MAR2016	 TE Connectivity	
DIMENSIONS:		CHK E. HOWARD 23MAR2016		
mm	TOLERANCES UNLESS OTHERWISE SPECIFIED:	APVD -	NAME BASE ASSEMBLY, LIGHT CONTROLLER, SLEEVE COMPATIBLE	RESTRICTED TO
0 PLC ±	1 PLC ±0.2	PRODUCT SPEC 108-32125	SIZE A2	CAGE CODE -
2 PLC ±0.13	3 PLC ±	APPLICATION SPEC 114-32159	DRAWING NO C-2213871	SCALE 2:1
4 PLC ±	ANGLES ±3°	WEIGHT -	SHEET 5 OF 5	REV A
MATERIAL -	FINISH -	CUSTOMER DRAWING		