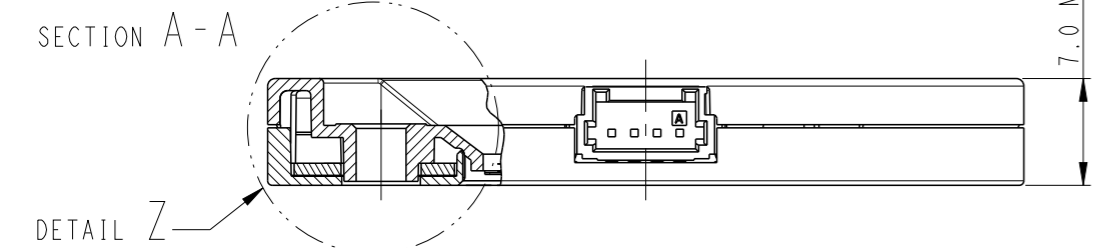
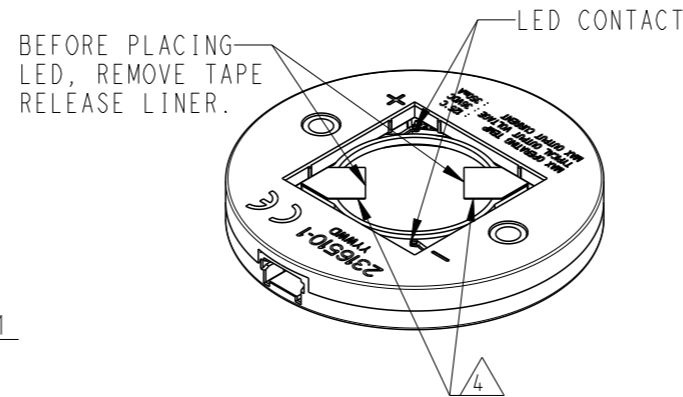
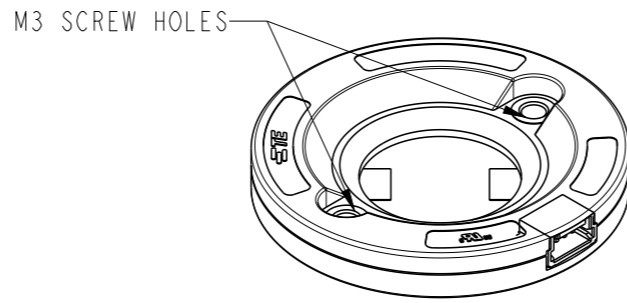
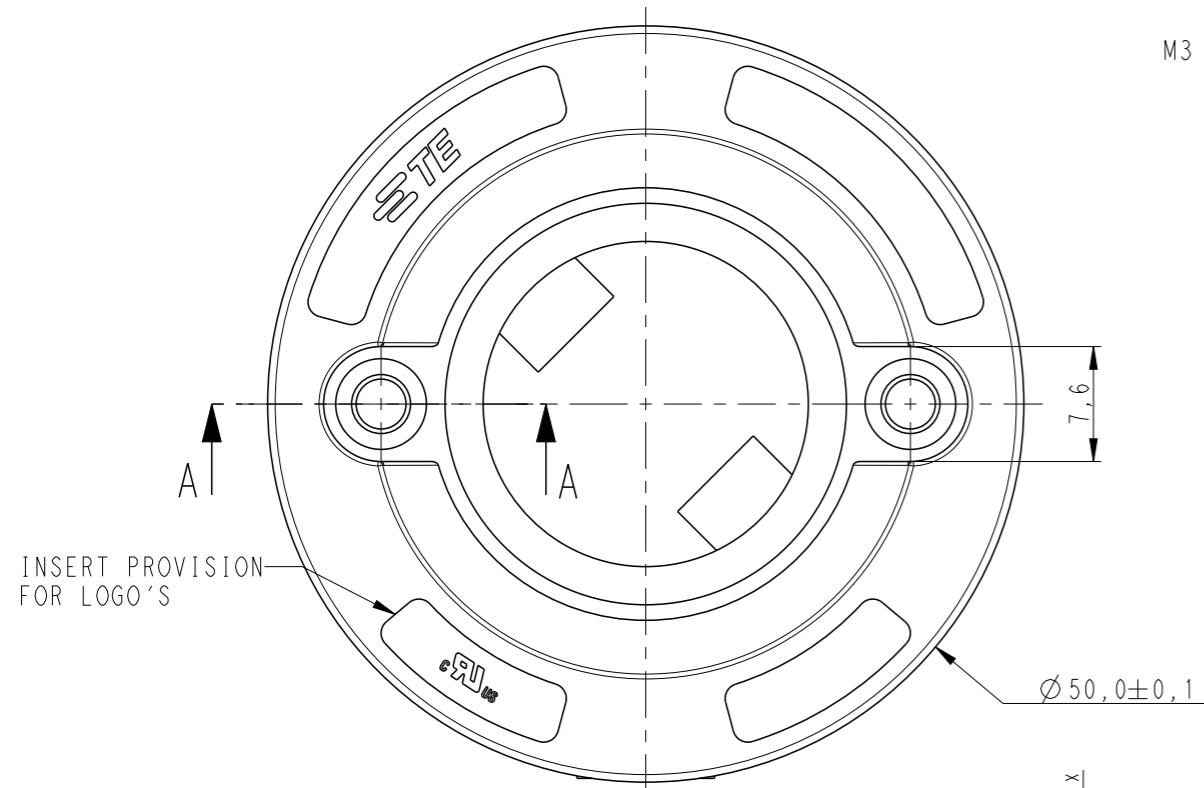


REVISIONS

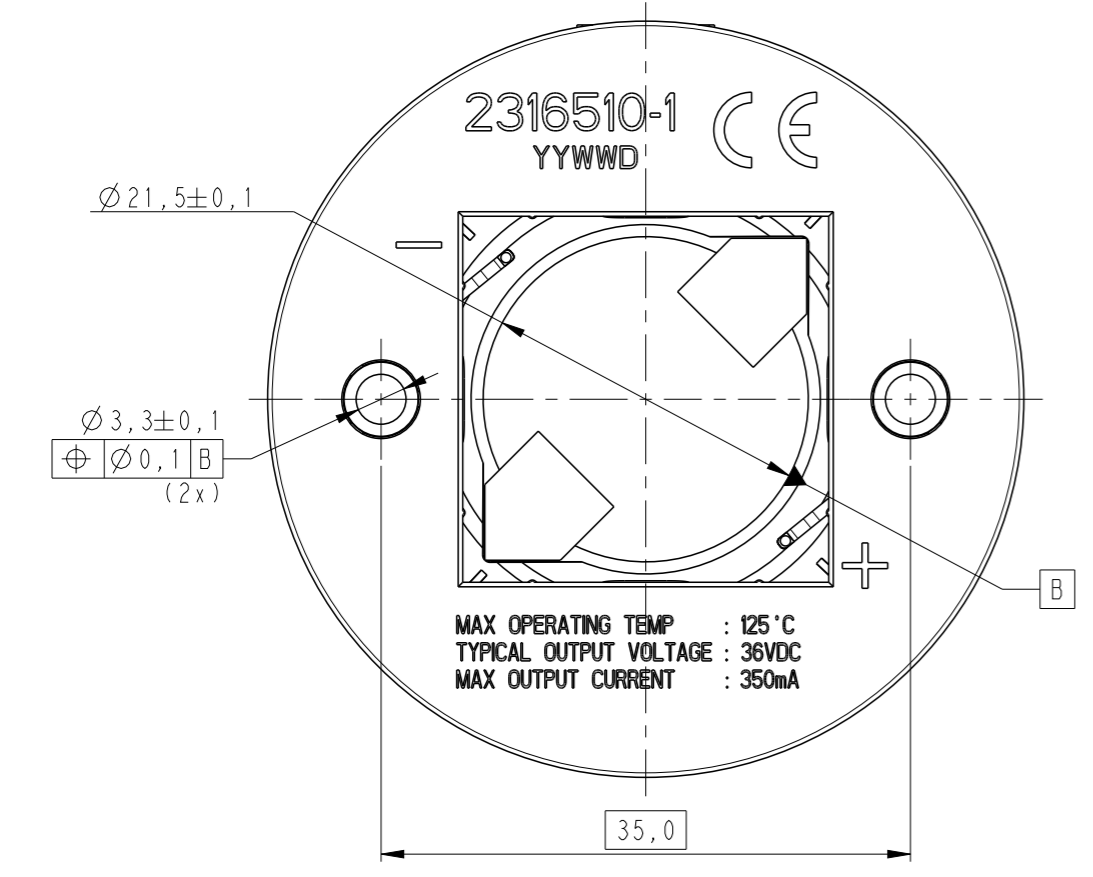
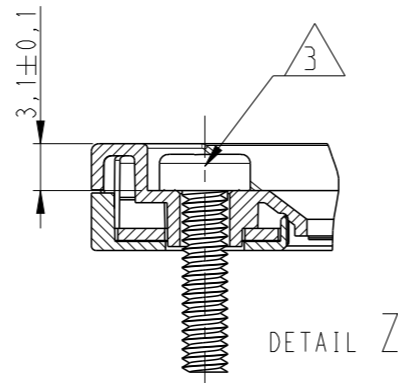
P	LTR	DESCRIPTION	DATE	DWN	APVD
4		MODIFIED RELEASED LED INFORMATION	16AUG2017	RK	SM

NOTES:

- MATERIALS:  
HOUSING: GLASS FILLED PBT, HALOGEN FREE FLAME RETARDANT  
COLOR : NATURAL  
CONTACTS: GOLD PLATED COPPER ALLOY
- COMPLIES WITH DIRECTIVE 2002/95/EC (ROHS)
- SCREW TO BE USED - PAN HEAD M3, #4-40, LENGTH 12mm MAX.  
RECOMMENDED SCREW TORQUE: 0.4 - 0.6 Nm
- LED RETENTION ON 2 CORNERS WITH DOUBLE SIDED ADHESIVE TAPE.
- MATING CONNECTOR TE PART NO: 353908-4 OR 6-353908-4
- DIMENSIONS SHOWN ARE IN MATED POSITION WITH LED
- SEE SHEET 3 FOR RECOMMENDED PIN LAYOUT & ADDITIONAL INFORMATION
- ELECTRICAL RATINGS:  
- USE WITH A 48V DC CONSTANT VOLTAGE CLASS 2 POWER SUPPLY, ±10% TOLERANCE  
- LED FORWARD VOLTAGE HAVE THE FOLLOWING RANGE: 21 - 41VDC



**PRELIMINARY PART  
NOT RELEASED FOR PRODUCTION**  
CONTACT ENGINEERING FOR LAST  
REVISION BEFORE USING THIS DRAWING  
Engineer: P.PETER



CURRENT (mA)	LED TYPE	DESCRIPTION	PART NO
1050	16 x 19	0-10 V, 1.05A, 16x19	3-2316510-4
	19 x 19	0-10 V, 1.05A, 19x19	3-2316510-3
	20 x 24	0-10 V, 1.05A, 20x24	3-2316510-2
	24 x 24	0-10 V, 1.05A, 24x24	3-2316510-1
700	16 x 19	0-10 V, 0.7A, 16x19	2-2316510-4
	19 x 19	0-10 V, 0.7A, 19x19	2-2316510-3
	20 x 24	0-10 V, 0.7A, 20x24	2-2316510-2
	24 x 24	0-10 V, 0.7A, 24x24	2-2316510-1
500	16 x 19	0-10 V, 0.5A, 16x19	1-2316510-4
	19 x 19	0-10 V, 0.5A, 19x19	1-2316510-3
	20 x 24	0-10 V, 0.5A, 20x24	1-2316510-2
	24 x 24	0-10 V, 0.5A, 24x24	1-2316510-1
350	16 x 19	0-10 V, 0.35A, 16x19	2316510-4
	19 x 19	0-10 V, 0.35A, 19x19	2316510-3
	20 x 24	0-10 V, 0.35A, 20x24	2316510-2
	24 x 24	0-10 V, 0.35A, 24x24	2316510-1

THIS DRAWING IS A CONTROLLED DOCUMENT.

DIMENSIONS:	TOLERANCES UNLESS OTHERWISE SPECIFIED:
mm	
0 PLC	±-
1 PLC	±0.1
2 PLC	±0.05
3 PLC	±-
4 PLC	±-
ANGLES	±-
FINISH	±-

MATERIAL: SEE NOTES

THIS DRAWING IS A CONTROLLED DOCUMENT.

DWN: 07MAR2017 RAGHAVENDRA.K  
CHK: 07MAR2017 P.PETER  
APVD: 07MAR2017 O.IEJUNSE

PRODUCT SPEC: 108-133086  
APPLICATION SPEC: 114-133086  
WEIGHT: -

CUSTOMER DRAWING

NAME: LUMAWISE DRIVE TYPE Z50 0-10 V VERSION

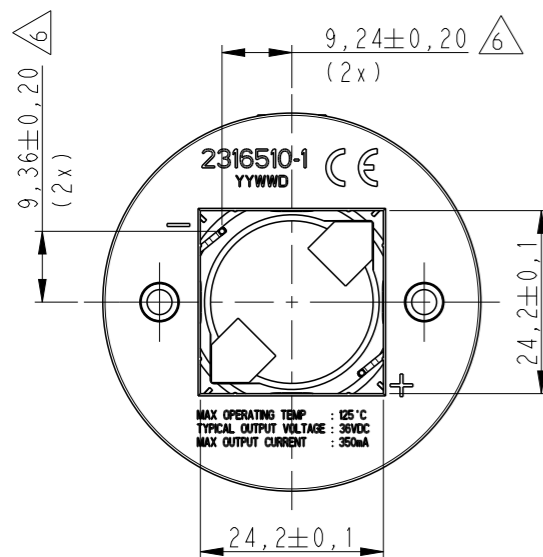
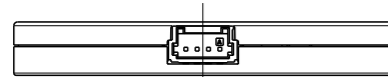
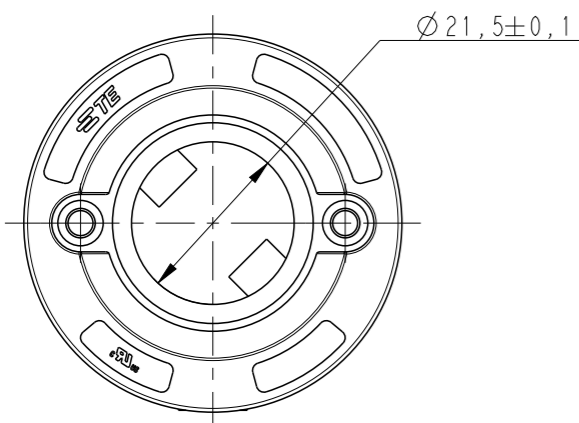
SIZE: A3 CAGE CODE: 00779 DRAWING NO: C-2316510 RESTRICTED TO: -

SCALE: 2:1 SHEET: 1 OF 4 REV: 4

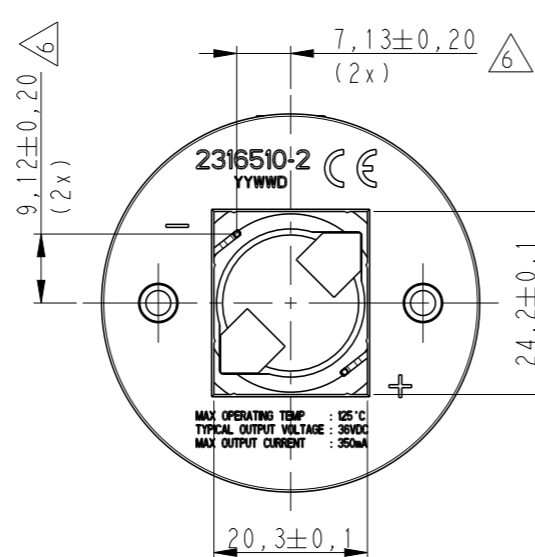
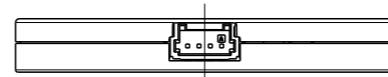
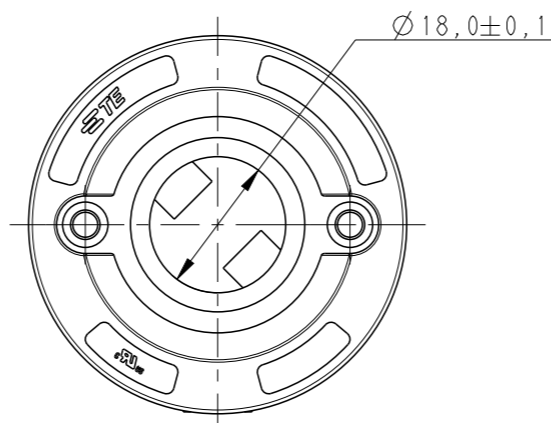
REVISIONS

P	LTR	DESCRIPTION	DATE	DWN	APVD
-	-	SEE SHEET 1	-	-	-

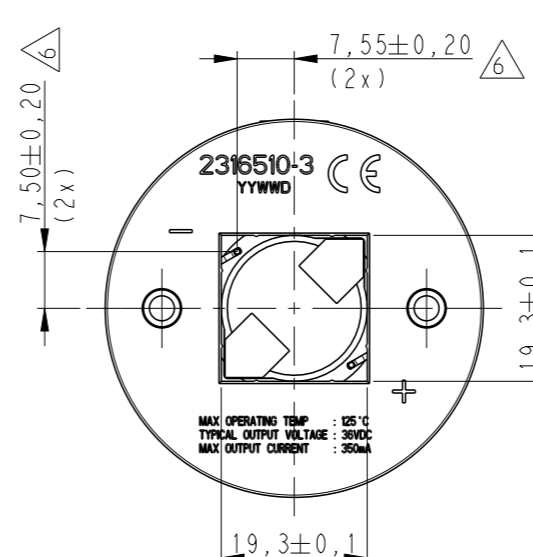
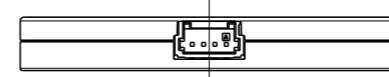
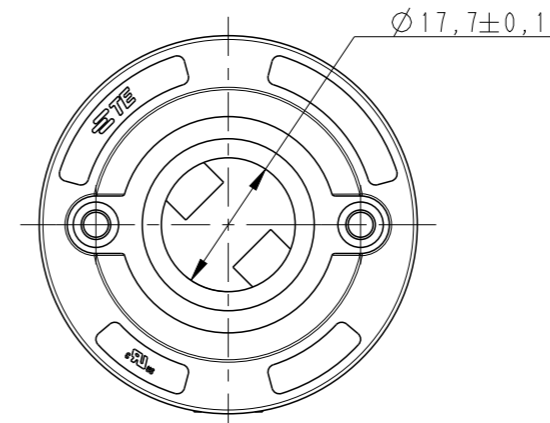
AS SHOWN 2316510-1  
SCALE 1:1



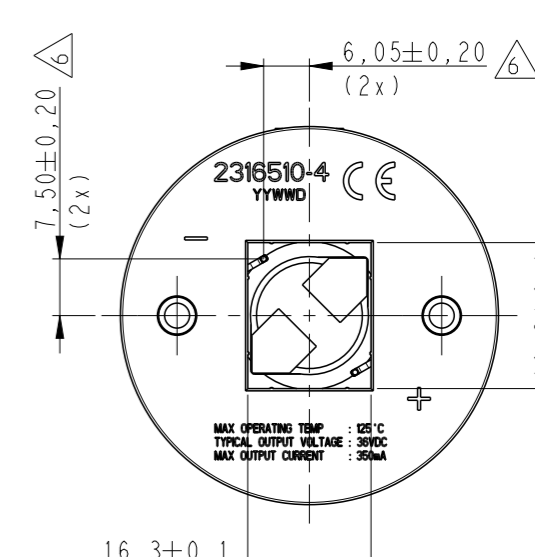
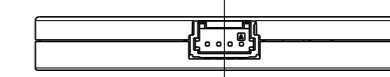
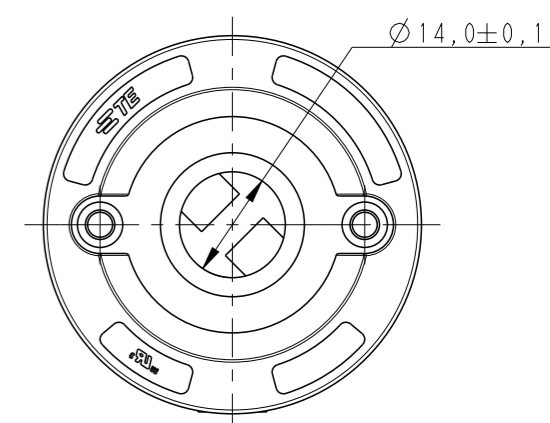
AS SHOWN 2316510-2  
SCALE 1:1



AS SHOWN 2316510-3  
SCALE 1:1




AS SHOWN 2316510-4  
SCALE 1:1



**PRELIMINARY PART  
NOT RELEASED FOR PRODUCTION**

CONTACT ENGINEERING FOR LAST  
REVISION BEFORE USING THIS DRAWING

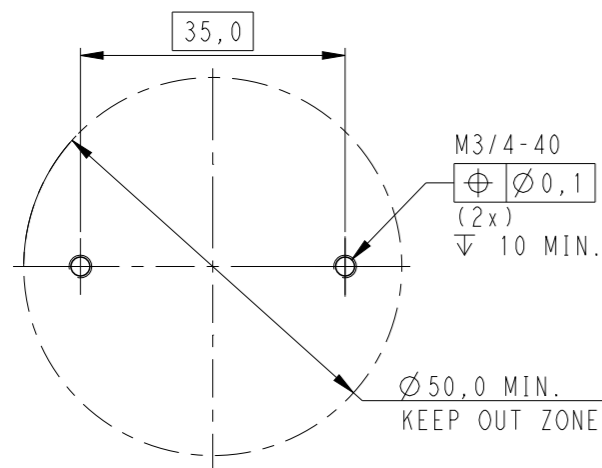
Engineer: P.PETER

THIS DRAWING IS A CONTROLLED DOCUMENT.		DWN 07MAR2017 RAGHAVENDRA.K	 TE Connectivity		
DIMENSIONS: mm		CHK 07MAR2017 P.PETER			
TOLERANCES UNLESS OTHERWISE SPECIFIED:		APVD 07MAR2017 O.IEIJNSE	NAME LUMAWISE DRIVE TYPE Z50 0-10 V VERSION		
0 PLC ±-		PRODUCT SPEC 108-133086	SIZE A3	CAGE CODE 00779	DRAWING NO C-2316510
1 PLC ±0.1		APPLICATION SPEC 114-133086	RESTRICTED TO -		
2 PLC ±0.05		WEIGHT -	SCALE 3:2		
3 PLC ±-		CUSTOMER DRAWING	SHEET 2 OF 4		
4 PLC ±-			REV 4		
ANGLES ±-					
FINISH					
MATERIAL SEE NOTES					

REVISIONS

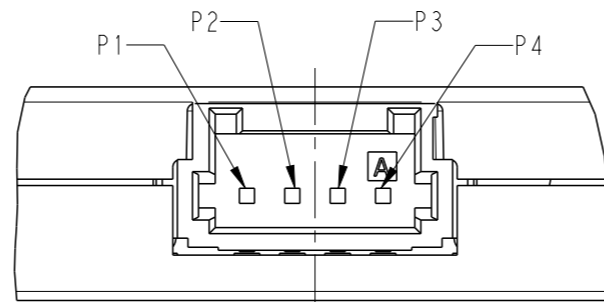
P	LTR	DESCRIPTION	DATE	DWN	APVD
-	-	SEE SHEET 1	-	-	-

RECOMMENDED DRILLING HOLE PATTERN



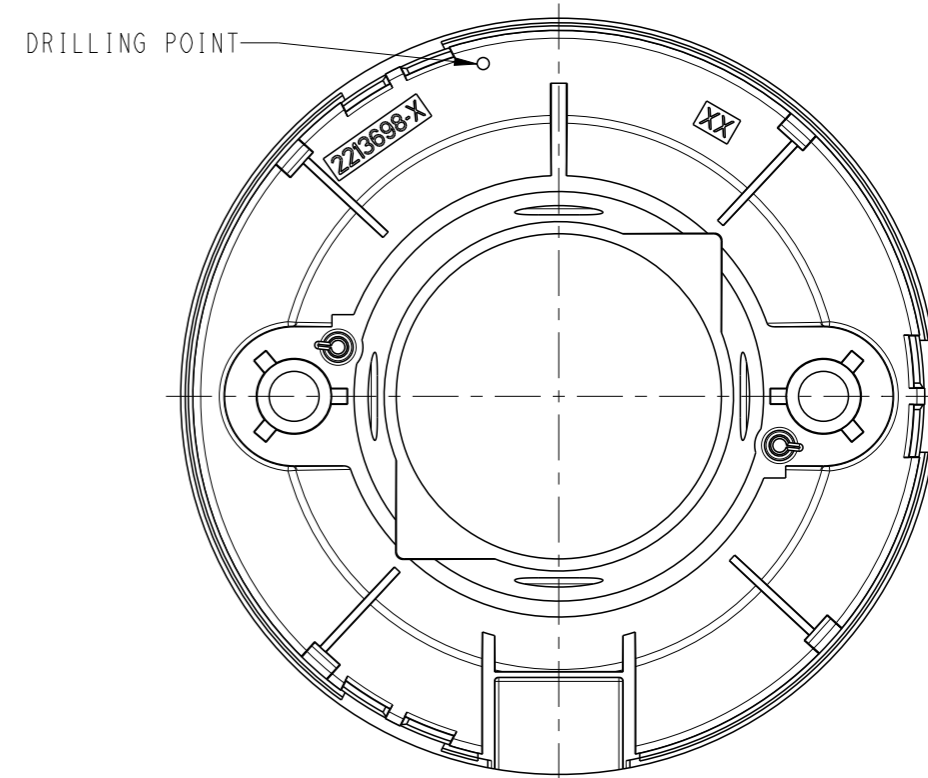
PIN LAYOUT

SCALE 4:1



P1	DIM (+)
P2	DIM (-)
P3	48VIN (+)
P4	48VIN (-) GND

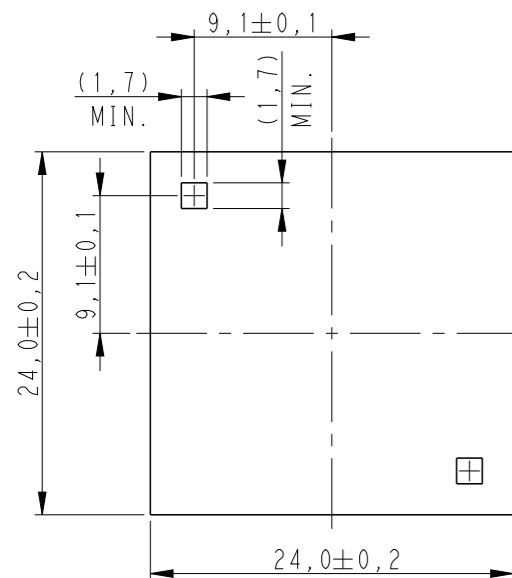
DRILLING LOCATION FOR Tc TESTING  
ONLY TOP COVER SHOWN



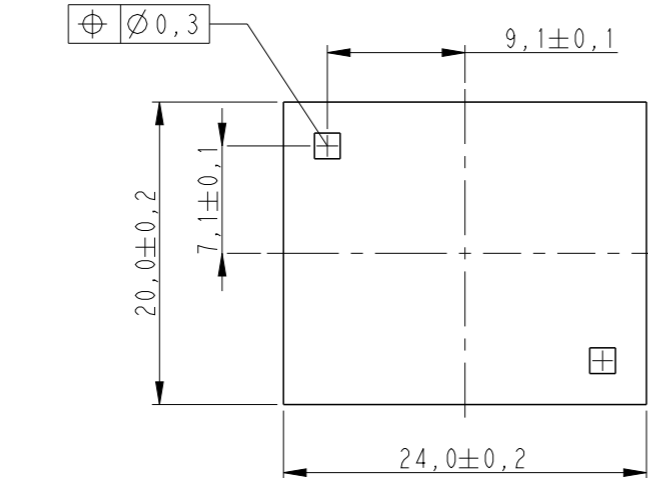
NOMINAL LED INFO:

THE SKETCH BELOW IS SHOWING THE ZHAGA BOOK 12 COB DIMENSIONS TO MATCH WITH THE LUMAWISE DRIVE TYPE Z50 LED HOLDER

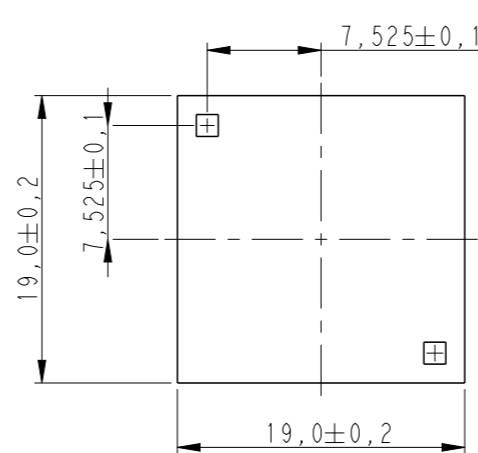
24x24 LAYOUT



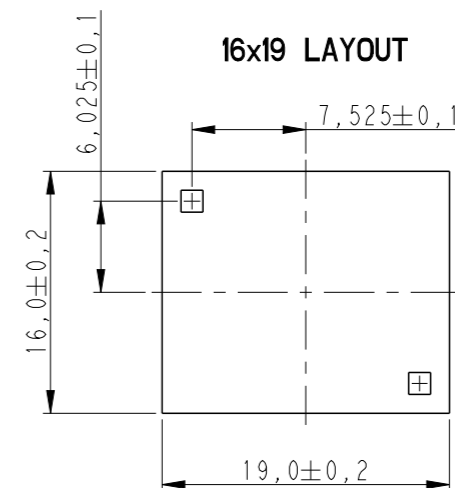
CONTACT POINT 20x24 LAYOUT



19x19 LAYOUT




16x19 LAYOUT



**PRELIMINARY PART  
NOT RELEASED FOR PRODUCTION**

CONTACT ENGINEERING FOR LAST REVISION BEFORE USING THIS DRAWING

Engineer: P.PETER

THIS DRAWING IS A CONTROLLED DOCUMENT.		DWN 07MAR2017 RAGHAVENDRA.K	 TE Connectivity		
DIMENSIONS: mm		CHK 07MAR2017 P.PETER			
TOLERANCES UNLESS OTHERWISE SPECIFIED:		APVD 07MAR2017 O.IEIJNSE	NAME LUMAWISE DRIVE TYPE Z50 0-10 V VERSION		
0 PLC ±- 1 PLC ±0.1 2 PLC ±0.05 3 PLC ±- 4 PLC ±- ANGLES ±- FINISH -		PRODUCT SPEC 108-133086	SIZE A3	CAGE CODE 00779	DRAWING NO C-2316510
MATERIAL SEE NOTES		APPLICATION SPEC 114-133086	RESTRICTED TO -		
		WEIGHT -	SCALE 2:1 SHEET 3 OF 4 REV 4		
		CUSTOMER DRAWING			

THIS DRAWING IS UNPUBLISHED.

RELEASED FOR PUBLICATION

2017

© COPYRIGHT 2017 BY -

ALL RIGHTS RESERVED.

REVISIONS

P	LTR	DESCRIPTION	DATE	DWN	APVD
-		SEE SHEET 1	-	-	-

**PRELIMINARY PART  
NOT RELEASED FOR PRODUCTION**  
CONTACT ENGINEERING FOR LAST  
REVISION BEFORE USING THIS DRAWING  
Engineer: P.PETER

L2C5-xxxx1202E0900; L2C5-xxxx1203E0900 1202s; 120206xCx; 1202CRSP; 1203CRSP	LUMILEDS	16x19
NVCWL024Z; NFCWL060B-V1; NFCLL060B-V1; NFCWL036B-V1M3	NICHIA	
LC040C	SAMSUNG	
BXRH-40E8000-J-23; BXRE-xxxxxxx-x-7x	BRIDGELUX	19x19
PB16H; PB16U; PB19H; PB19U; PB26U; PB26H	LEXTAR	
CLU038-1208C4; CLU721-1206C4; CLU710-1204C1; CLU711-1204C1; CLU034-1205C4; CLU036-1205C1; CLU032-1205A5-303M1A2; CLU720-1206C1; CLL030-1212A1-50KL1A1	CITIZEN	
2PHE20CW27P34001/2PHE30CW27P34001 2PHE20CW38P34001/2PHE30CW38P34002 HM CRI80 Series; HM CRI90 Series SL Series	EDISON OPTO	
EA1919 36V/26W Series	EVERLIGHT	
CHM-11/CXM11; CXM14/CHM14; CLM-14 Gen 3; CXM-11-XH00	LUMINUS	
Soleriq 13 Gen 2 Soleriq 15	OSRAM	
DMS124***G; DMC124/125***F; DMS125/126/128***G; DMC128***F; DMS099***F	PANASONIC	
SDW02F1C; SDWx3F1C	SEOUL	
SLE-G5-LES15 SLE-G5-LES17	TRIDONIC	
LC016/19/26D; LC019D; LC026D	SAMSUNG	20x24
LHC1-3070-1205; L2C5-xxxx-1204 LCHC1-xxxx1204; 1204CRSP; 1205CRSP; 1208CRSP; 1204; 1205; 1208	LUMILEDS	
EAHP2024	EVERLIGHT	
GW6TGBJC50C; GW5DGC**M04	SHARP	
BXRE-xxxxxxx-x-7x	BRIDGELUX	24x24
Soleriq S19 GW KAHLB2.CM	OSRAM	
<b>LED DESCRIPTION</b>	<b>MANUFACTURE NAME</b>	<b>LED TYPE</b>

LEDs COMPATIBILITY

THIS DRAWING IS A CONTROLLED DOCUMENT.		DWN 07MAR2017 RAGHAVENDRA.K	<b>STE</b> TE Connectivity	
DIMENSIONS: mm		CHK 07MAR2017 P.PETER		
TOLERANCES UNLESS OTHERWISE SPECIFIED:		APVD 07MAR2017 O.IEIJNSE	NAME LUMAWISE DRIVE TYPE Z50 0-10 V VERSION	
0 PLC ±-		PRODUCT SPEC 108-133086	SIZE CAGE CODE DRAWING NO RESTRICTED TO	
1 PLC ±0.1		APPLICATION SPEC 114-133086	A3 00779 C-2316510	
2 PLC ±0.05		WEIGHT -	SCALE 2:1 SHEET 4 OF 4 REV 4	
3 PLC ±-		CUSTOMER DRAWING		
4 PLC ±-				
ANGLES ±-				
FINISH -				
MATERIAL SEE NOTES				