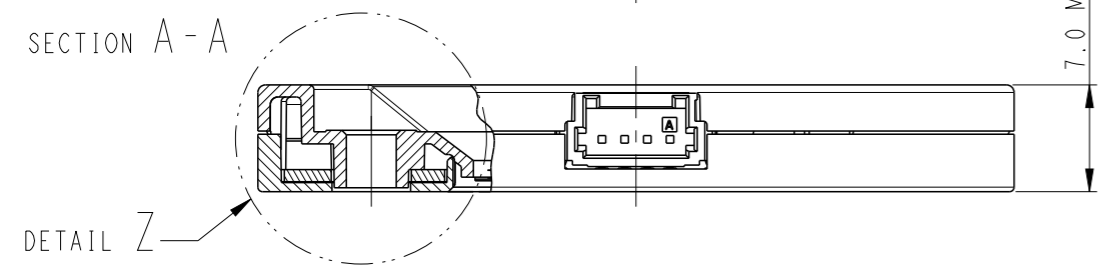
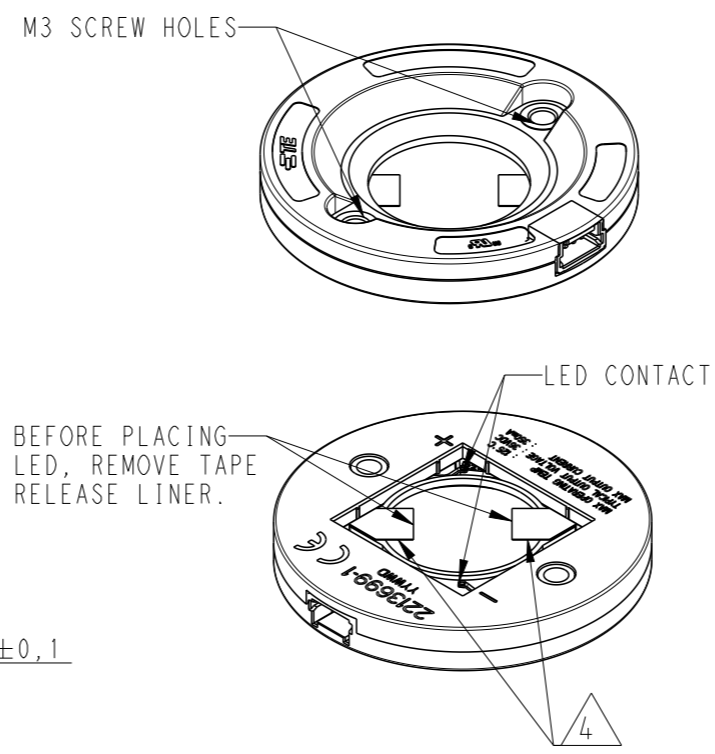
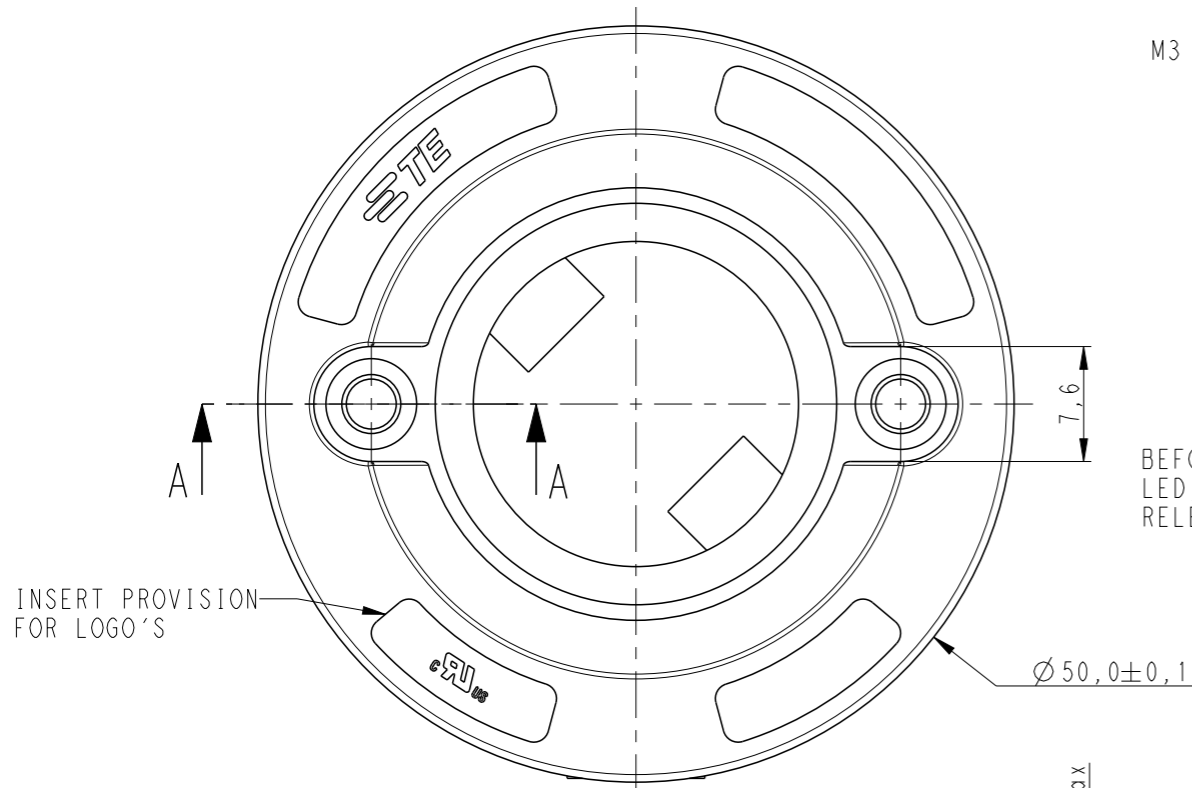
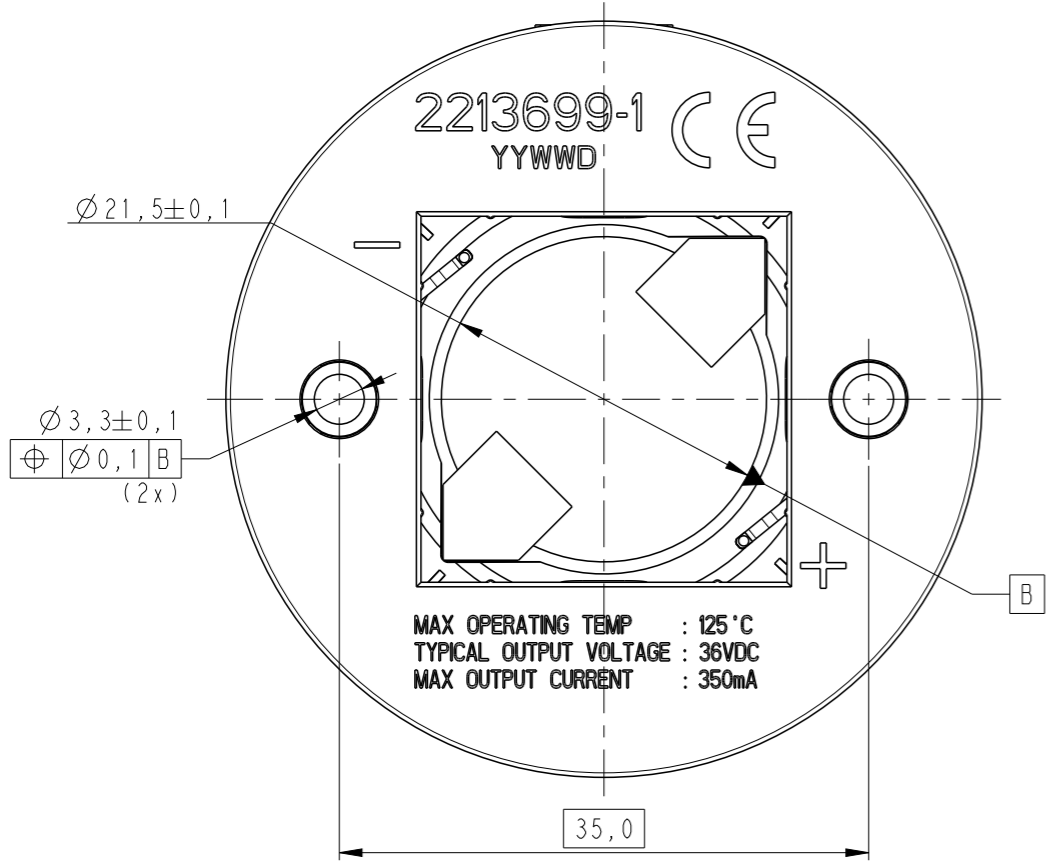
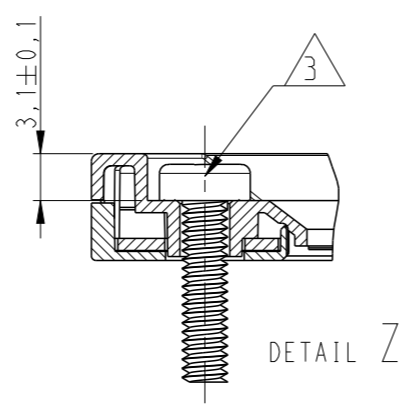


REVISIONS

P	LTR	DESCRIPTION	DATE	DWN	APVD
7		MODIFIED RELEASED LED INFORMATION	16AUG2017	RK	SM



**PRELIMINARY PART
NOT RELEASED FOR PRODUCTION**
CONTACT ENGINEERING FOR LAST
REVISION BEFORE USING THIS DRAWING
Engineer: SUBHASH.M



MAX OPERATING TEMP : 125 °C
TYPICAL OUTPUT VOLTAGE : 36VDC
MAX OUTPUT CURRENT : 350mA

- NOTES:
- MATERIALS:
HOUSING: GLASS FILLED PBT, HALOGEN FREE FLAME RETARDANT
COLOR : NATURAL
CONTACTS: GOLD PLATED COPPER ALLOY
 - COMPLIES WITH DIRECTIVE 2002/95/EC (ROHS)
 - SCREW TO BE USED - PAN HEAD M3, #4-40, LENGTH 12mm MAX.
RECOMMENDED SCREW TORQUE: 0.4 - 0.6 Nm
 - LED RETENTION ON 2 CORNERS WITH DOUBLE SIDED ADHESIVE TAPE.
 - MATING CONNECTOR TE PART NO: 353908-4 OR 6-353908-4
 - DIMENSIONS SHOWN ARE IN MATED POSITION WITH LED
 - SEE SHEET 3 FOR RECOMMENDED PIN LAYOUT & ADDITIONAL INFORMATION
 - ELECTRICAL RATINGS:
- USE WITH A 48V DC CONSTANT VOLTAGE CLASS 2 POWER SUPPLY, ±10% TOLERANCE
- LED FORWARD VOLTAGE HAVE THE FOLLOWING RANGE: 21 - 41VDC

CURRENT (mA)	LED TYPE	DESCRIPTION	PART NO
1050	16x19	ON/OFF, 1.05A, 16x19	3-2213699-4
	19x19	ON/OFF, 1.05A, 19x19	3-2213699-3
	20x24	ON/OFF, 1.05A, 20x24	3-2213699-2
	24x24	ON/OFF, 1.05A, 24x24	3-2213699-1
700	16x19	ON/OFF, 0.7A, 16x19	2-2213699-4
	19x19	ON/OFF, 0.7A, 19x19	2-2213699-3
	20x24	ON/OFF, 0.7A, 20x24	2-2213699-2
	24x24	ON/OFF, 0.7A, 24x24	2-2213699-1
500	16x19	ON/OFF, 0.5A, 16x19	1-2213699-4
	19x19	ON/OFF, 0.5A, 19x19	1-2213699-3
	20x24	ON/OFF, 0.5A, 20x24	1-2213699-2
350	24x24	ON/OFF, 0.5A, 24x24	1-2213699-1
	16x19	ON/OFF, 0.35A, 16x19	2213699-4
	19x19	ON/OFF, 0.35A, 19x19	2213699-3
	20x24	ON/OFF, 0.35A, 20x24	2213699-2
	24x24	ON/OFF, 0.35A, 24x24	2213699-1

THIS DRAWING IS A CONTROLLED DOCUMENT.

DIMENSIONS:	TOLERANCES UNLESS OTHERWISE SPECIFIED:
mm	
	0 PLC ±-
	1 PLC ±0.1
	2 PLC ±0.05
	3 PLC ±-
	4 PLC ±-
	ANGLES ±-
	FINISH ±-
MATERIAL	
SEE NOTES	

THIS DRAWING IS A CONTROLLED DOCUMENT.

DWN: SUBHASH.M 27OCT2016
CHK: O.L.FUNSE 16FEB2017
APVD: O.L.FUNSE 12APR2017

PRODUCT SPEC: 108-133086
APPLICATION SPEC: 114-133086
WEIGHT: -

CUSTOMER DRAWING

SCALE: 2:1 SHEET: 1 OF 4 REV: 7

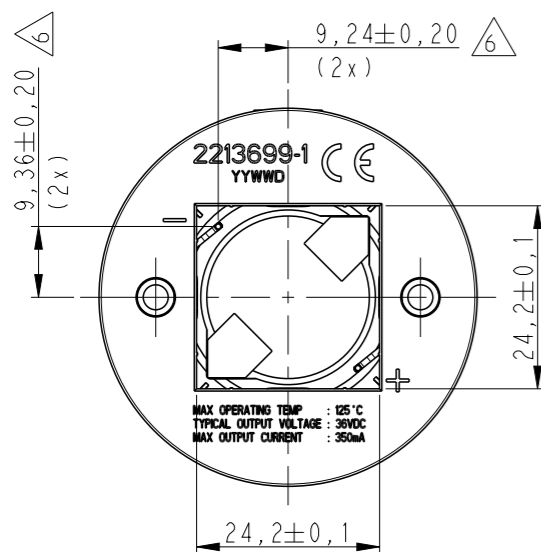
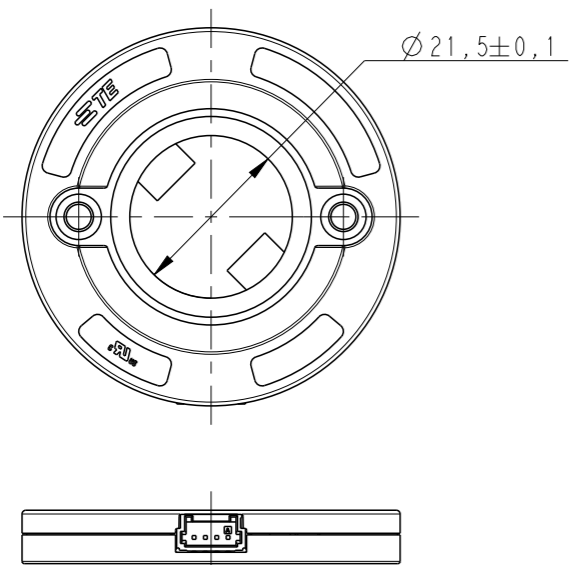
NAME: LUMAWISE DRIVE TYPE Z50 ON-OFF VERSION

RESTRICTED TO: -

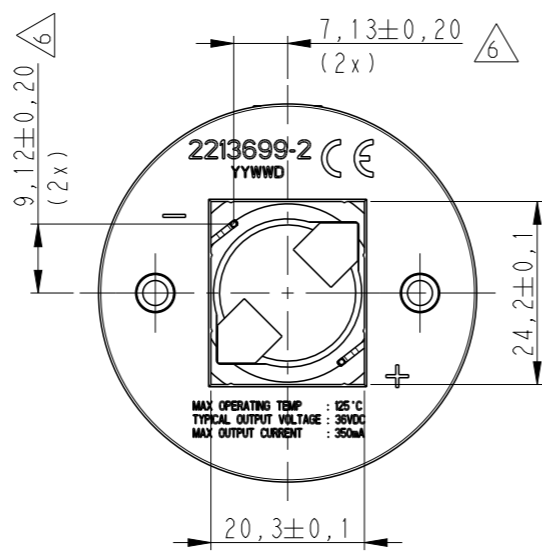
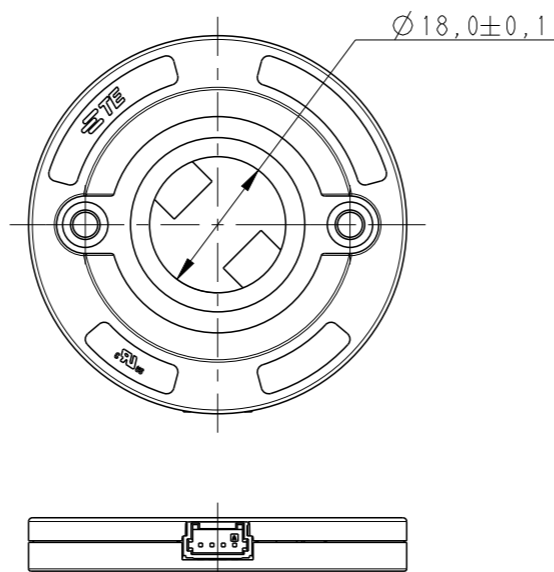
REVISIONS

P	LTR	DESCRIPTION	DATE	DWN	APVD
-	-	SEE SHEET 1	-	-	-

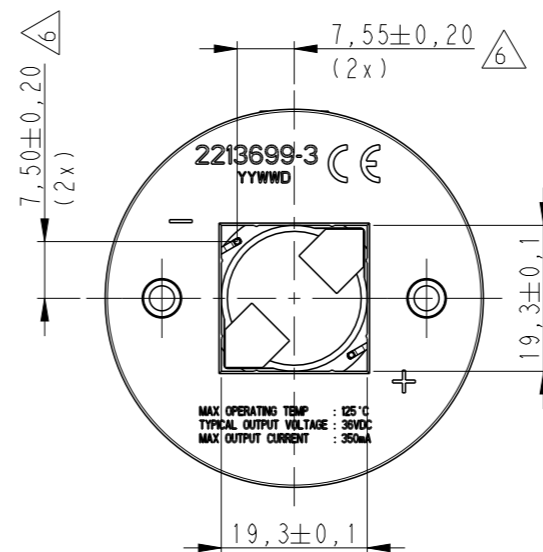
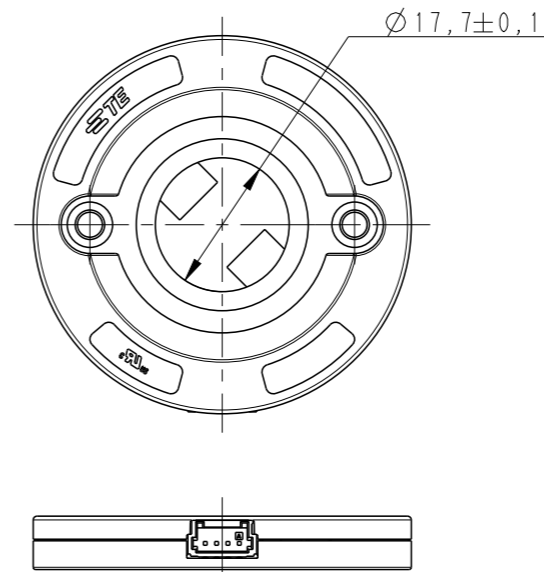
AS SHOWN 2213699-1
SCALE 1:1



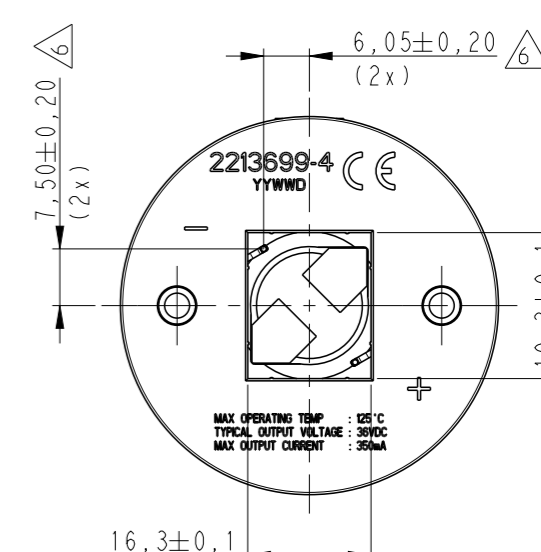
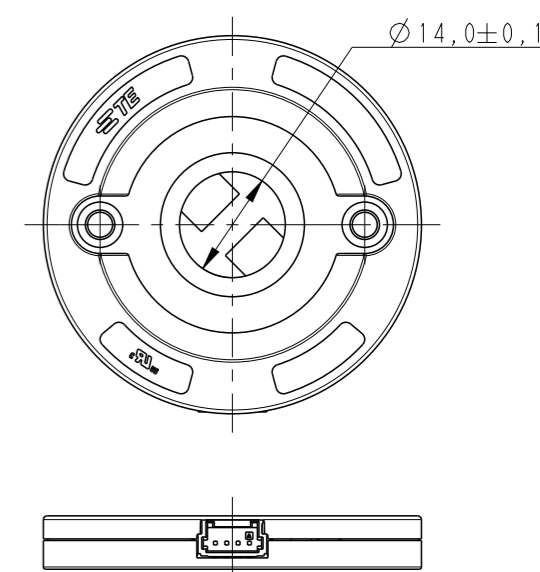
AS SHOWN 2213699-2
SCALE 1:1



AS SHOWN 2213699-3
SCALE 1:1




AS SHOWN 2213699-4
SCALE 1:1



**PRELIMINARY PART
NOT RELEASED FOR PRODUCTION**

CONTACT ENGINEERING FOR LAST
REVISION BEFORE USING THIS DRAWING

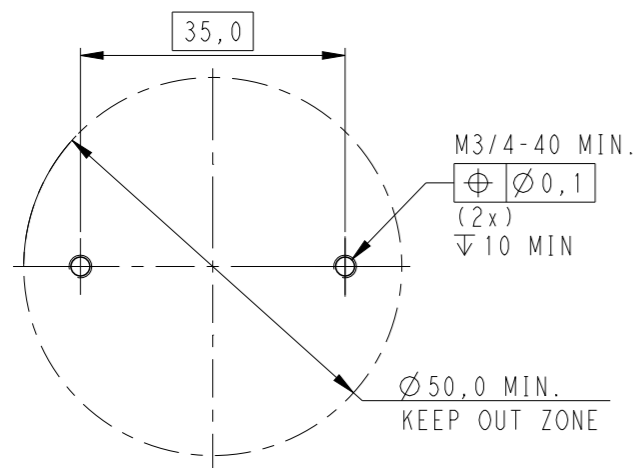
Engineer: SUBHASH.M

THIS DRAWING IS A CONTROLLED DOCUMENT.		DWN SUBHASH.M 27OCT2016	 TE Connectivity		
DIMENSIONS: mm		CHK O. LEIJNSE 16FEB2017			
TOLERANCES UNLESS OTHERWISE SPECIFIED:		APVD O. LEIJNSE 12APR2017	NAME LUMAWISE DRIVE TYPE Z50 ON-OFF VERSION		
0 PLC ±- 1 PLC ±0.1 2 PLC ±0.05 3 PLC ±- 4 PLC ±- ANGLES ±- FINISH ±-		PRODUCT SPEC 108-133086	SIZE A3	CAGE CODE 00779	DRAWING NO C-2213699
MATERIAL SEE NOTES		APPLICATION SPEC 114-133086	RESTRICTED TO -		
		WEIGHT -	SCALE 3:2		
		CUSTOMER DRAWING	SHEET 2 OF 4		
			REV 7		

REVISIONS

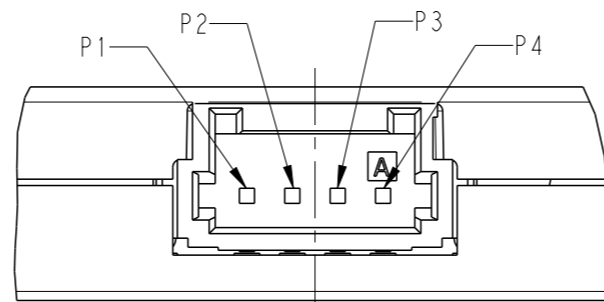
P	LTR	DESCRIPTION	DATE	DWN	APVD
-	-	SEE SHEET 1	-	-	-

RECOMMENDED DRILLING HOLE PATTERN



PIN LAYOUT

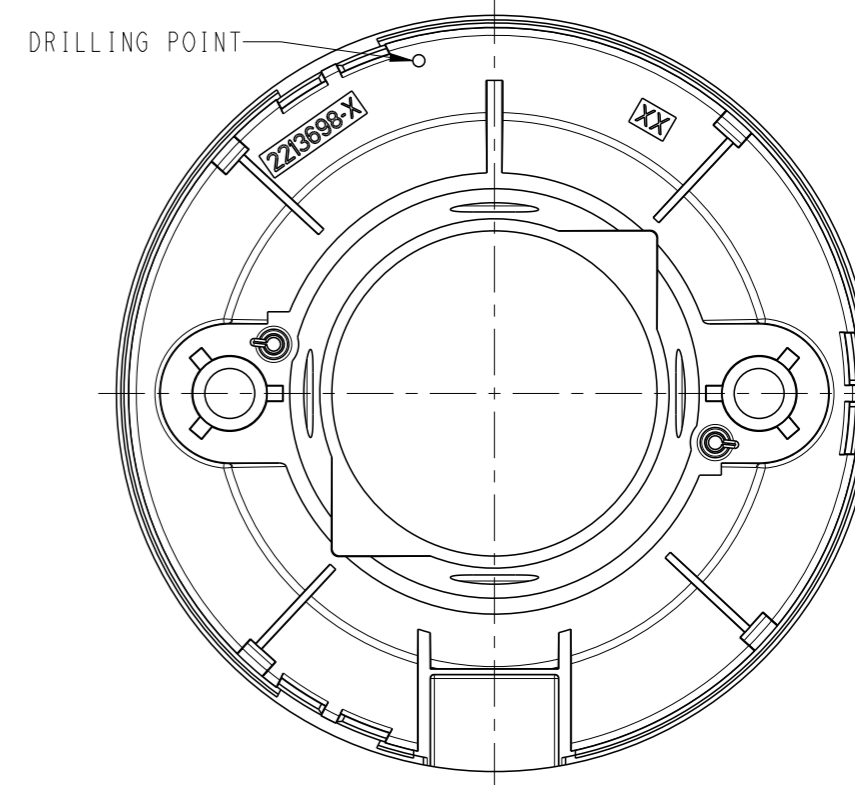
SCALE 4:1



P1	DO NOT USE
P2	GROUND
P3	48VIN (+)
P4	48VIN (-) GND

DRILLING LOCATION FOR Tc TESTING

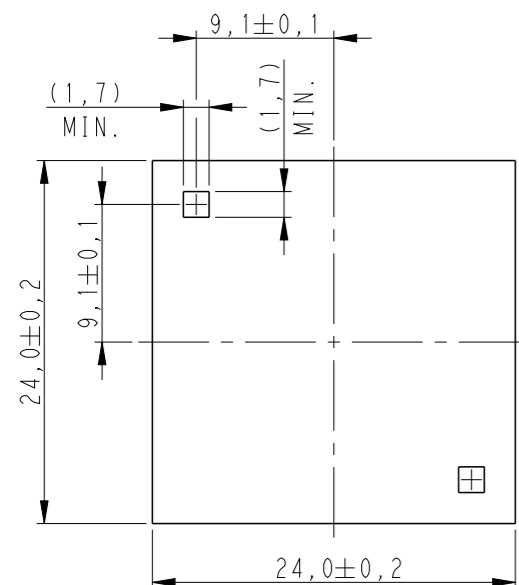
ONLY TOP COVER SHOWN



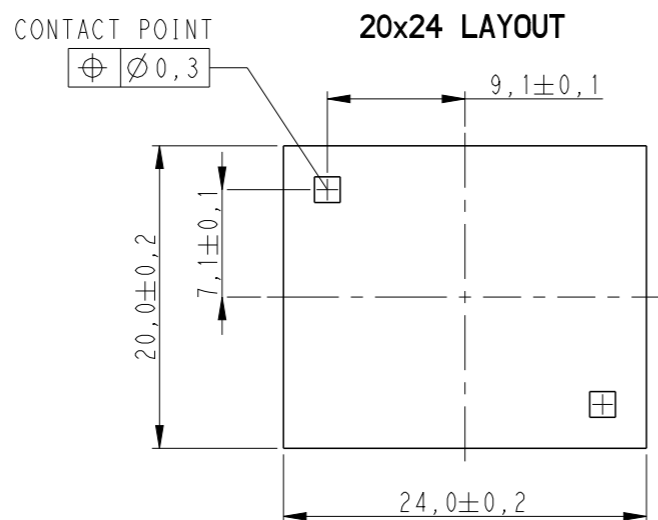
NOMINAL LED INFO:

THE SKETCH BELOW IS SHOWING THE ZHAGA BOOK 12 COB DIMENSIONS TO MATCH WITH THE LUMAWISE DRIVE TYPE Z50 LED HOLDER

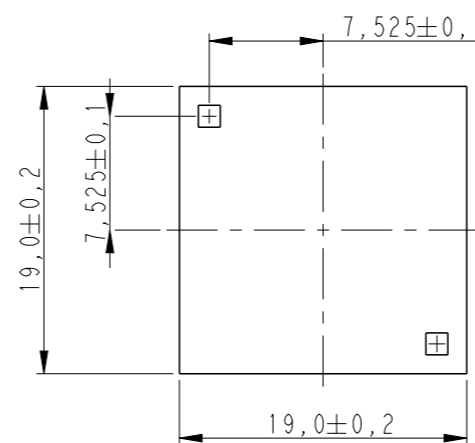
24x24 LAYOUT



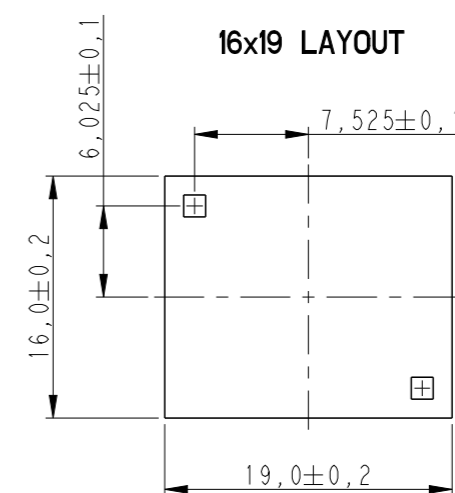
20x24 LAYOUT




19x19 LAYOUT



16x19 LAYOUT



**PRELIMINARY PART
 NOT RELEASED FOR PRODUCTION**
 CONTACT ENGINEERING FOR LAST
 REVISION BEFORE USING THIS DRAWING
 Engineer: SUBHASHM

THIS DRAWING IS A CONTROLLED DOCUMENT.		DWN SUBHASH.M 27OCT2016	 TE Connectivity	
DIMENSIONS: mm		CHK O.LEIJNSE 16FEB2017		
TOLERANCES UNLESS OTHERWISE SPECIFIED:		APVD O.LEIJNSE 12APR2017	NAME LUMAWISE DRIVE TYPE Z50 ON-OFF VERSION	
0 PLC ±- 1 PLC ±0.1 2 PLC ±0.05 3 PLC ±- 4 PLC ±- ANGLES ±-		PRODUCT SPEC 108-133086	SIZE A3	
MATERIAL SEE NOTES		APPLICATION SPEC 114-133086	CAGE CODE 00779	DRAWING NO C-2213699
FINISH -		WEIGHT -	RESTRICTED TO -	
		CUSTOMER DRAWING	SCALE 2:1	SHEET 3 OF 4
			REV 7	

THIS DRAWING IS UNPUBLISHED.

RELEASED FOR PUBLICATION 2017

© COPYRIGHT 2017 BY - ALL RIGHTS RESERVED.

REVISIONS

P	LTR	DESCRIPTION	DATE	DWN	APVD
-		SEE SHEET 1	-	-	-


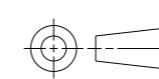
**PRELIMINARY PART
NOT RELEASED FOR PRODUCTION**

CONTACT ENGINEERING FOR LAST
REVISION BEFORE USING THIS DRAWING

Engineer: SUBHASH.M

L2C5-xxxx1202E0900; L2C5-xxxx1203E0900 1202s; 120206xCx; 1202CRSP; 1203CRSP	LUMILEDS	16x19
NVCWL024Z; NFCWL060B-V1; NFCLL060B-V1; NFCWL036B-V1M3	NICHIA	
LC040C	SAMSUNG	
BXRH-40E8000-J-23; BXRE-xxxxxxx-x-7x	BRIDGELUX	19x19
PB16H; PB16U; PB19H; PB19U; PB26U; PB26H	LEXTAR	
CLU038-1208C4; CLU721-1206C4; CLU710-1204C1; CLU711-1204C1; CLU034-1205C4; CLU036-1205C1; CLU032-1205A5-303M1A2; CLU720-1206C1; CLL030-1212A1-50KL1A1	CITIZEN	
2PHE20CW27P34001/2PHE30CW27P34001 2PHE20CW38P34001/2PHE30CW38P34002 HM CRI80 Series; HM CRI90 Series SL Series	EDISON OPTO	
EA1919 36V/26W Series	EVERLIGHT	
CHM-11/CXM11; CXM14/CHM14; CLM-14 Gen 3; CXM-11-XH00	LUMINUS	
Soleriq 13 Gen 2 Soleriq 15	OSRAM	
DMS124***G; DMC124/125***F; DMS125/126/128***G; DMC128***F; DMS099***F	PANASONIC	
SDW02F1C; SDWx3F1C	SEOUL	
SLE-G5-LES15 SLE-G5-LES17	TRIDONIC	
LC016/19/26D; LC019D; LC026D	SAMSUNG	20x24
LHC1-3070-1205; L2C5-xxxx-1204 LCHC1-xxxx1204; 1204CRSP; 1205CRSP; 1208CRSP; 1204; 1205; 1208	LUMILEDS	
EAHP2024	EVERLIGHT	
GW6TGBJC50C; GW5DGC**M04	SHARP	24x24
BXRE-xxxxxxx-x-7x	BRIDGELUX	
Soleriq S19 GW KAHLB2.CM	OSRAM	
LED DESCRIPTION	MANUFACTURE NAME	LED TYPE

LEDs COMPATIBILITY

THIS DRAWING IS A CONTROLLED DOCUMENT.		DWN SUBHASH.M 27OCT2016	 TE Connectivity		
DIMENSIONS: mm		CHK O. LEIJNSE 16FEB2017			
TOLERANCES UNLESS OTHERWISE SPECIFIED:		APVD O. LEIJNSE 12APR2017	NAME LUMAWISE DRIVE TYPE Z50 ON-OFF VERSION		
		PRODUCT SPEC 108-133086	RESTRICTED TO		
MATERIAL SEE NOTES		APPLICATION SPEC 114-133086	SIZE A3	CAGE CODE 00779	DRAWING NO C-2213699
FINISH		WEIGHT	SCALE 2:1		
		CUSTOMER DRAWING	SHEET 4 OF 4		
			REV 7		