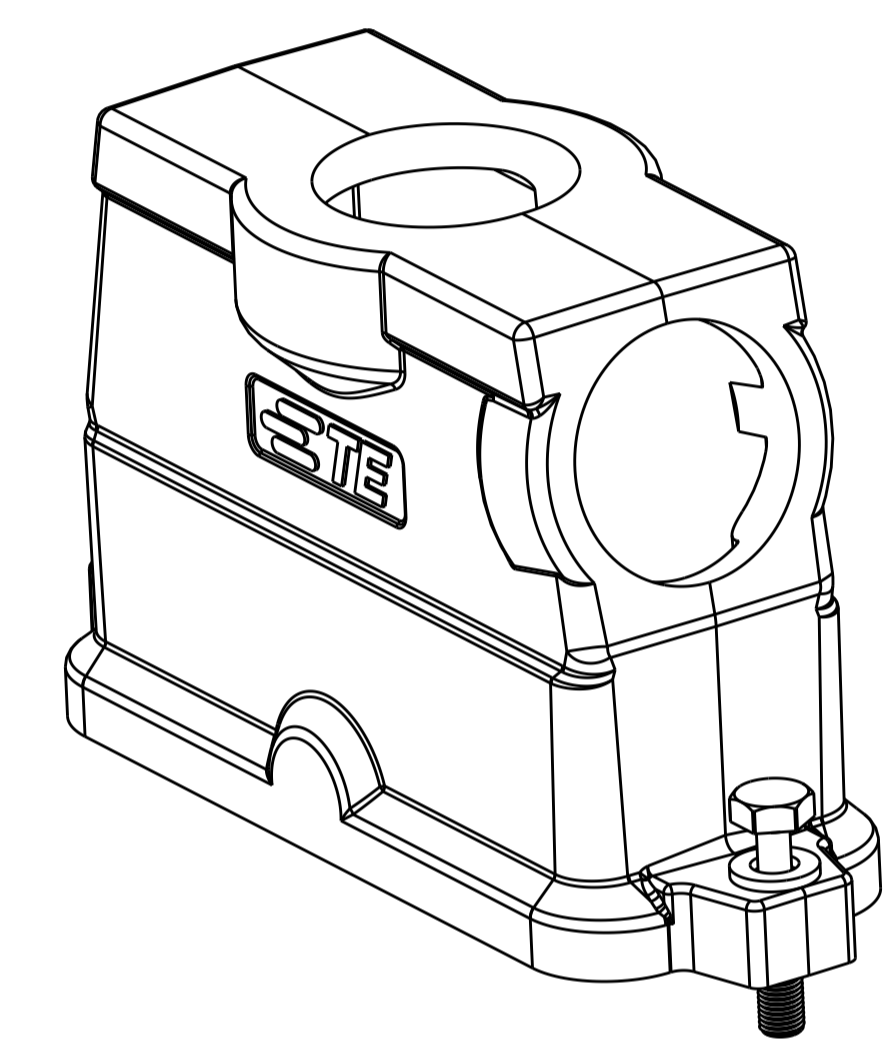
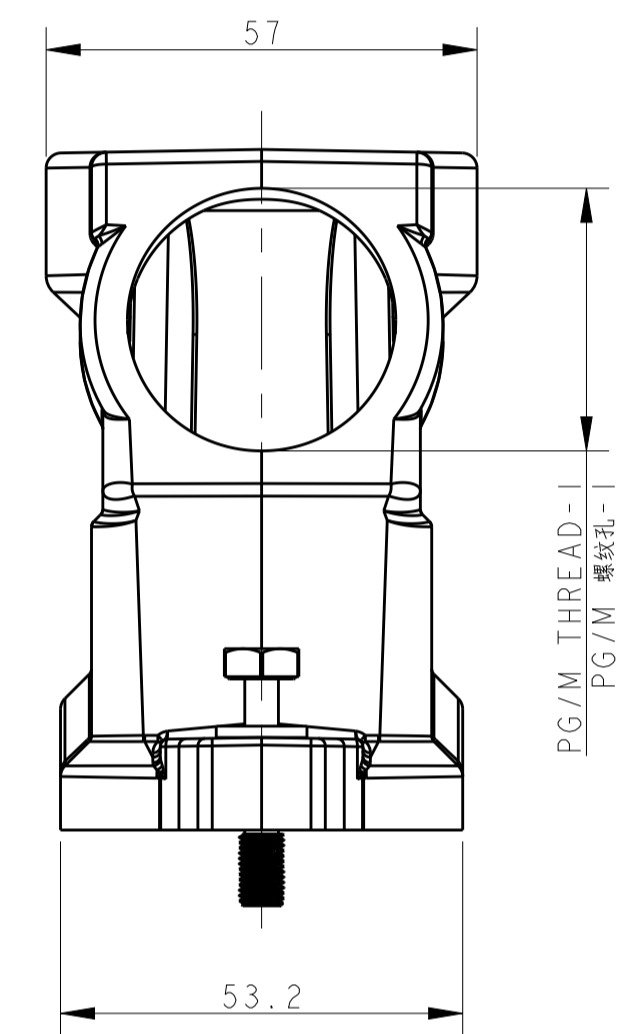
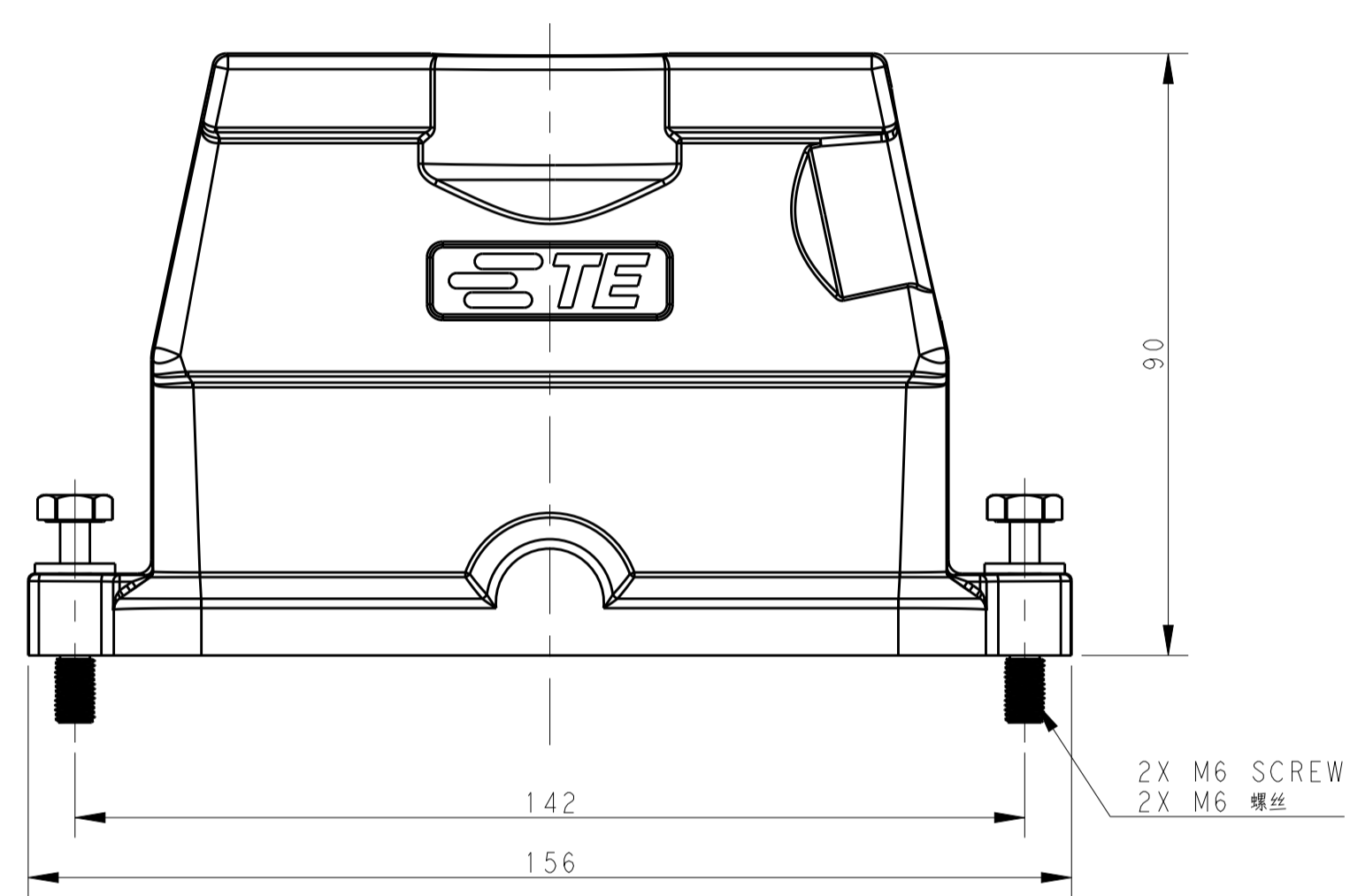
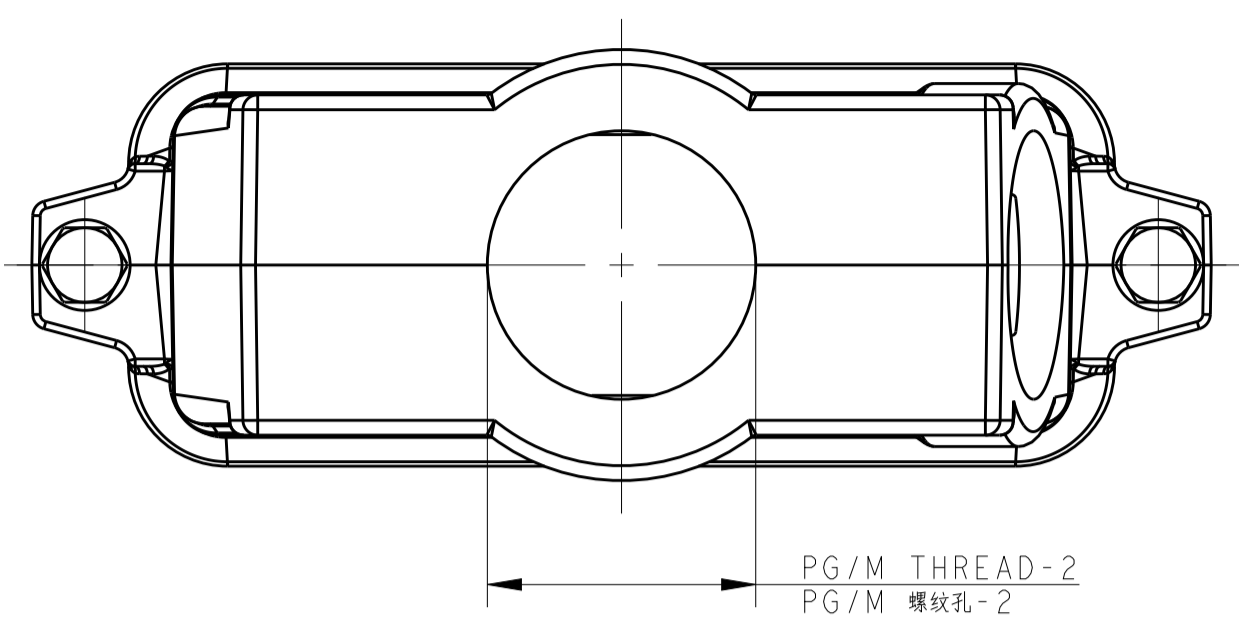
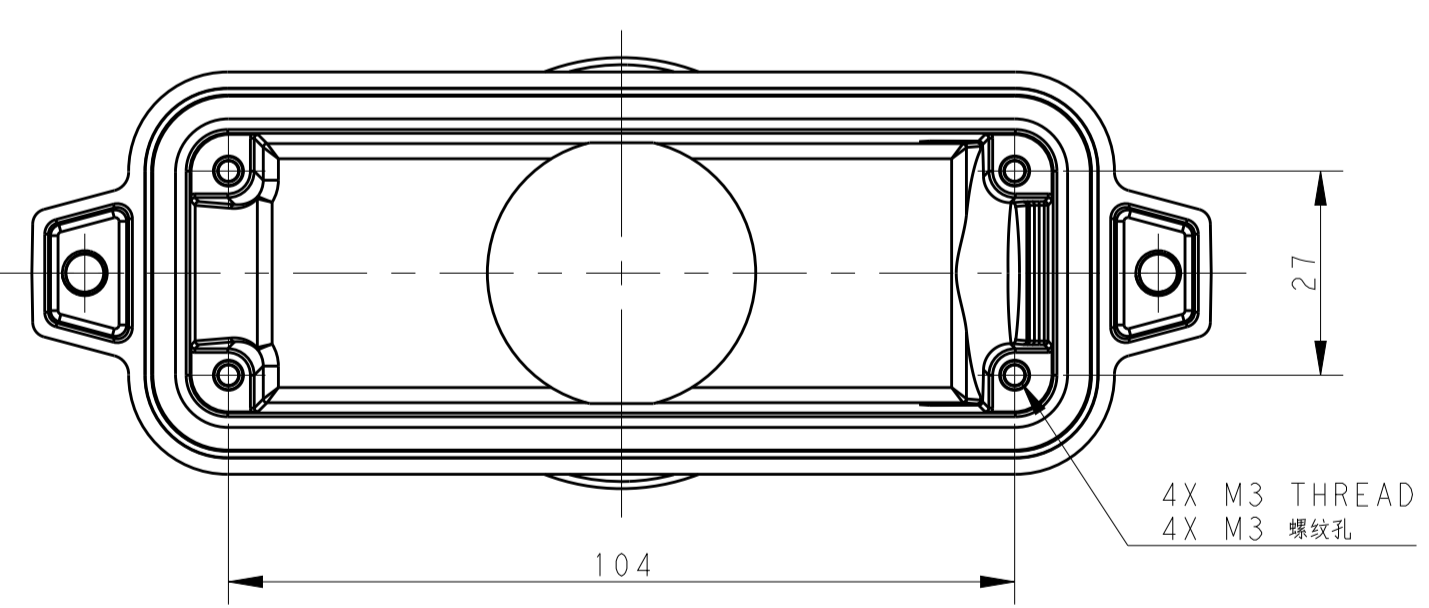


REVISIONS				
P.	LTN	DESCRIPTION	DATE	APP'D
A		INITIAL RELEASE	07JUN2016	DW CW



NOTES:  
 1. TECHNICAL CHARACTERISTICS:  
 HOOD MATERIAL: DIE CAST ALUMINIUM ALLOY  
 SURFACE: SEE TABLE  
 DEGREE OF PROTECTION: IP68 (MATED)

注释:  
 1. 技术参数:  
 壳体材料: 铝合金  
 表面处理: 见表格  
 防护等级: IP68 (配合)



PART NUMBER 料号	DESCRIPTION 描述	PG/M THREAD-2 PG/M 螺纹-2	PG/M THREAD-1 PG/M 螺纹-1
T1902242240-009	H24BPR-TS/GHC-2M40-EMC-C H24BPR HOOD, CENTER LOCKING, SIDE/TOP ENTRY 2M40, POWDER COATED, GREY H24BPR 中即锁定侧顶出上壳2M40 灰色	M40	M40
T1902244025-009	H24BPR-TG/SHC-M40/M25-EMC-C H24BPR HOOD, CENTER LOCKING, TOP ENTRY M40, SIDE ENTRY M25, POWDER COATED, SILVER WHITE H24BPR 中即锁定顶出M40侧出M25上壳 银白色	M40	M25
T1902244020-009	H24BPR-TG/SHC-M40/M20-EMC-C H24BPR HOOD, CENTER LOCKING, TOP ENTRY M40, SIDE ENTRY M20, POWDER COATED, SILVER WHITE H24BPR 中即锁定顶出M40侧出M20上壳 银白色	M40	M20
T1902243240-009	H24BPR-TG/SHC-M32/M40-EMC-C H24BPR HOOD, CENTER LOCKING, TOP ENTRY M32, SIDE ENTRY M40, POWDER COATED, SILVER WHITE H24BPR 中即锁定顶出M32侧出M40上壳 银白色	M32	M40
T1902242540-009	H24BPR-TG/SHC-M25/M40-EMC-C H24BPR HOOD, CENTER LOCKING, TOP ENTRY M25, SIDE ENTRY M40, POWDER COATED, SILVER WHITE H24BPR 中即锁定顶出M25侧出M40上壳 银白色	M25	M40
T1902242040-009	H24BPR-TG/SHC-M20/M40-EMC-C H24BPR HOOD, CENTER LOCKING, TOP ENTRY M20, SIDE ENTRY M40, POWDER COATED, SILVER WHITE H24BPR 中即锁定顶出M20侧出M40上壳 银白色	M20	M40
T1902241240-009	H24BPR-TS/GHC-2M40-EMC-C H24BPR HOOD, CENTER LOCKING, SIDE/TOP ENTRY 2M40, POWDER COATED, SILVER WHITE H24BPR 中即锁定侧顶出上壳2M40 银白色	M40	M40
T1902241232-009	H24BPR-TS/GHC-2M32-EMC-C H24BPR HOOD, CENTER LOCKING, SIDE/TOP ENTRY 2M32, POWDER COATED, SILVER WHITE H24BPR 中即锁定侧顶出上壳2M32 银白色	M32	M32
T1902241229-009	H24BPR-TS/GHC-2PG29-EMC-C H24BPR HOOD, CENTER LOCKING, SIDE/TOP ENTRY 2PG29, POWDER COATED, SILVER WHITE H24BPR 中即锁定侧顶出上壳2PG29 银白色	PG29	PG29
T1902240240-009	H24BPR-TS/GHC-2M40-EMC-C H24BPR HOOD, CENTER LOCKING, SIDE/TOP ENTRY 2M40, POWDER COATED, BLACK H24BPR 中即锁定侧顶出上壳2M40 黑色	M40	M40
T1902240232-009	H24BPR-TS/GHC-2M32-EMC-C H24BPR HOOD, CENTER LOCKING, SIDE/TOP ENTRY 2M32, POWDER COATED, BLACK H24BPR 中即锁定侧顶出上壳2M32 黑色	M32	M32
T1902240229-009	H24BPR-TS/GHC-2PG29-EMC-C H24BPR HOOD, CENTER LOCKING, SIDE/TOP ENTRY 2PG29, POWDER COATED, BLACK H24BPR 中即锁定侧顶出上壳2PG29 黑色	PG29	PG29

THIS DRAWING IS A CONTROLLED DOCUMENT.		OWN: DAVID WANG 07JUN2016	TE Connectivity
DIMENSIONS: mm		CHK: CHRIS WANG 07JUN2016	
TOLERANCES UNLESS OTHERWISE SPECIFIED:		APP'D: XIANG YU 07JUN2016	NAME: H24BPR-TS/GHC-PG/M-EMC-C AND H24BPR-TG/SHC-PG/M-EMC-C PRODUCT SPEC: 108-137191 APPLICATION SPEC: 114-137191
0 PLC ± 2 PLC ± 3 PLC ± 4 PLC ± ANGLES ±		WEIGHT: - CUSTOMER DRAWING	
MATERIAL: -		FINISH: -	SIZE: A1 CAGE CODE: - DRAWING NO: T190224XXXXX09 RESTRICTED TO: - SCALE: 1:1 SHEET: 1 OF 1 REV: A