

DO NOT SCALE FROM THIS PRINT

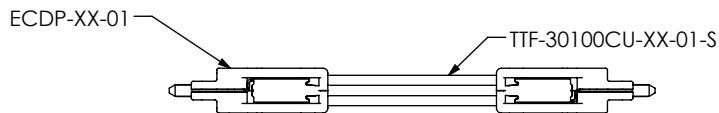
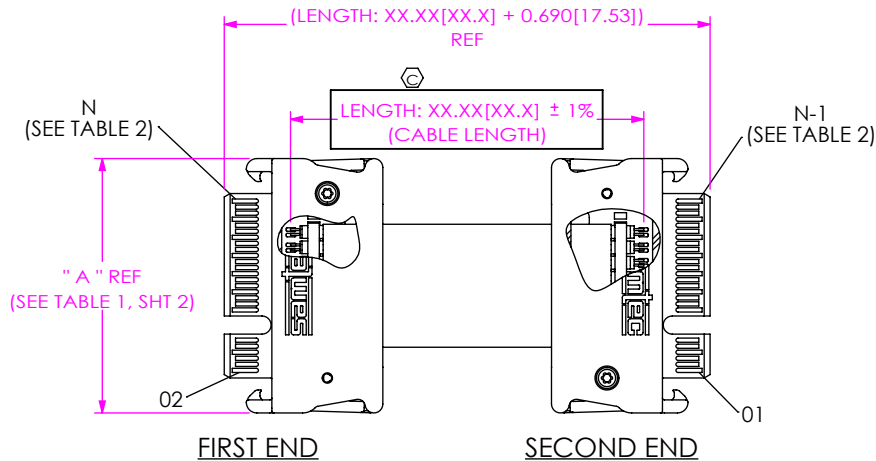
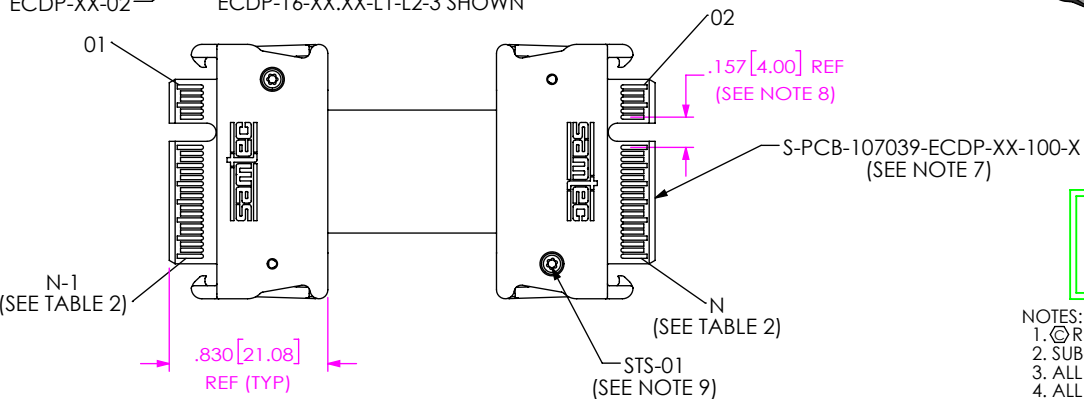


FIG 1
ECDP-16-XX.XX-LT-L2-3 SHOWN



No. OF PAIRS	N	N-1
-04	18	17
-08	26	25
-16	50	49
-32	98	97

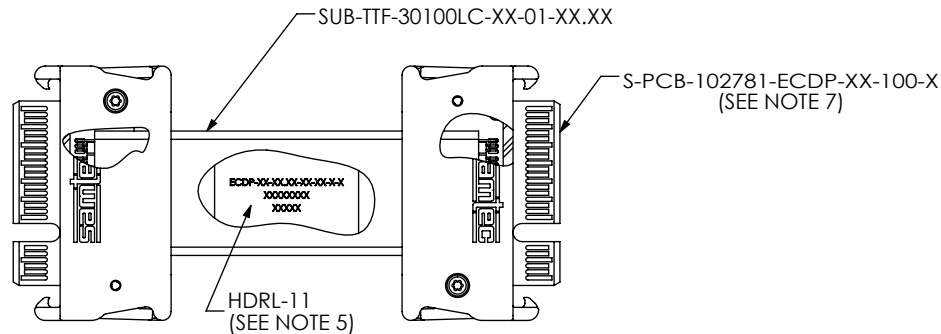


FIG 2
ECDP-16-XX.XX-LT-L2-1 SHOWN
(NOT TOOLED)
(DIFFERENT AS SHOWN, OTHERWISE SAME AS FIG 1)

ECDP-XX-XX.XX-XX-XX-X-X

No OF PAIRS
-04, -08, -16, -32

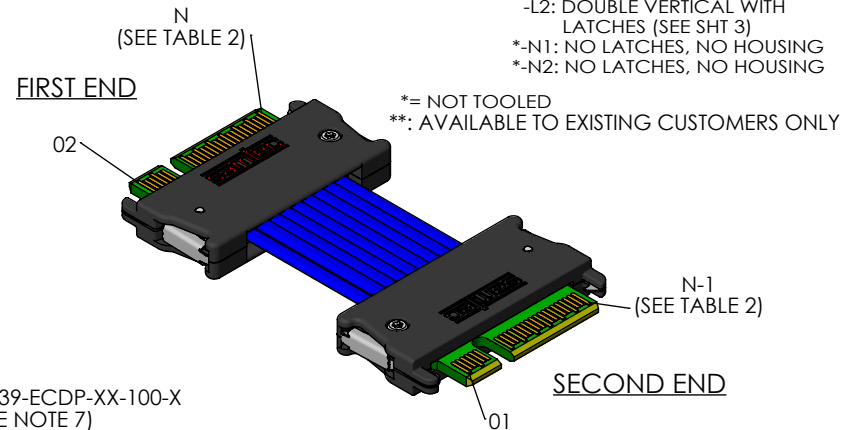
LENGTH
-XX.XX(INCHES)
(03.75[95.3] MIN)
(SEE NOTE 2)
(SEE NOTE 10)

FIRST END
-B1: BOARD LOCK, NO HOUSING
-L1: DOUBLE VERTICAL WITH LATCHES (SEE SHT 3)
*-N1: NO LATCHES, NO HOUSING

CABLE
**-1: 100Ω ACCELERATE
**-2: 85Ω ACCELERATE
-3: 100Ω EYESPEED

WIRING OPTION
-1: PIN 1 TO PIN 1
-2: PIN 1 TO PIN 2
-3: PIN 1 TO PIN N-1
-4: PIN 1 TO PIN N

SECOND END
-B1: BOARD LOCK, NO HOUSING
-B2: BOARD LOCK, NO HOUSING
-L1: DOUBLE VERTICAL WITH LATCHES (SEE SHT 3)
-L2: DOUBLE VERTICAL WITH LATCHES (SEE SHT 3)
*-N1: NO LATCHES, NO HOUSING
*-N2: NO LATCHES, NO HOUSING



Pb THIS PRODUCT MANUFACTURED WITH LEAD-FREE PROCESSING

- NOTES:
- © REPRESENTS A CRITICAL DIMENSION.
 - SUB-TTF LENGTH IS EQUAL TO ECDP LENGTH.
 - ALL ASSEMBLIES TO BE 100% ELECTRICALLY TESTED FOR SHORTS AND OPENS.
 - ALL ASSEMBLIES TO BE 100% HI-POT TESTED AT 300V.
 - TOP SUB-TTF NOT SHOWN IN THIS VIEW FOR CLARITY; HDRL-11 TO BE CENTERED ON LOWER SUB-TTF AS SHOWN. HDRL-11 IS TO CONTAIN PART NUMBER, SHOP NUMBER & DATE CODE.
 - PACKAGE ASSEMBLIES IN STATIC DISSIPATION BAGS.
 - FOR PRE-TINNING PROCESSING INFORMATION ON THE SUB-PCB'S, SEE TRAVELERS: PCB-102781-ECDP-XX-XXX-X, PCB-104164-ECDP-XX-XXX-X, PCB-107039-ECDP-XX-XXX-X AND PCB-107040-ECDP-XX-XXX-X.
 - KEY CONSUMES FOUR PITCHES.
 - TIGHTEN STS-01 TO 1.4-1.7 IN-LBS.
 - CABLE LENGTHS LONGER THAN 40.00[1016.0] ARE NOT SUPPORTED BY S.I. TEST DATA.
 - USE SAMTEC PART NUMBER EPOXY-06 FOR EPOXY APPLICATION.
 - NO HEAT SHRINK FOR -NX & -BX END WITH -3 CABLE (100 OHM EYESPEED).

UNLESS OTHERWISE SPECIFIED, DIMENSIONS ARE IN INCHES.
TOLERANCES ARE:
DECIMALS ANGLES
.XX: ±.01 [.3] 2°
.XXX: ±.005 [.13]
.XXXX: ±.0020 [.051]

PROPRIETARY NOTE
THIS DOCUMENT CONTAINS CONFIDENTIAL AND PROPRIETARY INFORMATION AND ALL DESIGN, MANUFACTURING, REPRODUCTION, USE, PATENT RIGHTS AND SALES RIGHTS ARE EXPRESSLY RESERVED BY SAMTEC, INC. THIS DOCUMENT SHALL NOT BE DISCLOSED, IN WHOLE OR PART, TO ANY UNAUTHORIZED PERSON OR ENTITY NOR REPRODUCED, TRANSFERRED OR INCORPORATED IN ANY OTHER PROJECT IN ANY MANNER WITHOUT THE EXPRESS WRITTEN CONSENT OF SAMTEC, INC.



520 PARK EAST BLVD., NEW ALBANY, IN 47150
PHONE: 812-944-6733 FAX: 812-948-5047
e-Mail info@SAMTEC.com code 55322

MATERIAL: DO NOT SCALE DRAWING SHEET SCALE: 1:1

DESCRIPTION:
DIFF PAIR EDGE CARD CABLE ASSEMBLY

DWG. NO.
ECDP-XX-XX.XX-XX-XX-X-X

BY: B RAY 09/14/2010 SHEET 1 OF 5

TABLE 1

-LX 100 OHM ACCELERATE

No. OF PAIRS	"A"	SUB-TTF QTY	SUB-TTF-30100LC-XX-01-XX.XX	S-PCB-102781-ECDP-XX-100-X (SEE NOTE 7)	ECDP-XX-01	ECDP-XX-02
-04	.821 [20.85]	2	SUB-TTF-30100LC-02-01-XX.XX	S-PCB-102781-ECDP-004-100-X	ECDP-04-01	ECDP-04-02
-08	.947 [24.05]	2	SUB-TTF-30100LC-04-01-XX.XX	S-PCB-102781-ECDP-008-100-X	ECDP-08-01	ECDP-08-02
-16	1.325 [33.66]	2	SUB-TTF-30100LC-08-01-XX.XX	S-PCB-102781-ECDP-016-100-X	ECDP-16-01	ECDP-16-02
-32	2.081 [52.86]	4	SUB-TTF-30100LC-08-01-XX.XX	S-PCB-102781-ECDP-032-100-X	ECDP-32-01	ECDP-32-02

-LX 85 OHM ACCELERATE

No. OF PAIRS	"A"	SUB-TTF QTY	SUB-TTF-3085LC-XX-01-XX.XX	S-PCB-102781-ECDP-XX-85-X (SEE NOTE 7)	ECDP-XX-01	ECDP-XX-02
-04	.821 [20.85]	2	SUB-TTF-3085LC-02-01-XX.XX	S-PCB-102781-ECDP-004-85-X	ECDP-04-01	ECDP-04-02
-08	.947 [24.05]	2	SUB-TTF-3085LC-04-01-XX.XX	S-PCB-102781-ECDP-008-85-X	ECDP-08-01	ECDP-08-02
-16	1.325 [33.66]	2	SUB-TTF-3085LC-08-01-XX.XX	S-PCB-102781-ECDP-016-85-X	ECDP-16-01	ECDP-16-02
-32	2.081 [52.86]	4	SUB-TTF-3085LC-08-01-XX.XX	S-PCB-102781-ECDP-032-85-X	ECDP-32-01	ECDP-32-02

-LX 100 OHM EYESPEED

No. OF PAIRS	"A"	SUB-TTF QTY	TTF-30100CU-XX-01-S	S-PCB-107039-ECDP-XX-100-X (SEE NOTE 7)	ECDP-XX-01	ECDP-XX-02
-04	.821 [20.85]	2	TTF-30100CU-02-01-S	S-PCB-107039-ECDP-004-100-X	ECDP-04-01	ECDP-04-02
-08	.947 [24.05]	2	TTF-30100CU-04-01-S	S-PCB-107039-ECDP-008-100-X	ECDP-08-01	ECDP-08-02
-16	1.325 [33.66]	2	TTF-30100CU-08-01-S	S-PCB-107039-ECDP-016-100-X	ECDP-16-01	ECDP-16-02
-32	2.081 [52.86]	4	TTF-30100CU-08-01-S	S-PCB-107039-ECDP-032-100-X	ECDP-32-01	ECDP-32-02

-NX 100 OHM ACCELERATE

No. OF PAIRS	"B"	SUB-TTF QTY	SUB-TTF-30100LC-XX-01-XX.XX	S-PCB-102781-ECDP-XX-100-X (SEE NOTE 7)	HST-X.XXX-XX-XXX
-04	.513 [13.03]	2	SUB-TTF-30100LC-02-01-XX.XX	S-PCB-102781-ECDP-004-100-X	HST-0.250-01-CLR
-08	.639 [16.23]	2	SUB-TTF-30100LC-04-01-XX.XX	S-PCB-102781-ECDP-008-100-X	HST-0.375-01-CLR
-16	1.017 [25.83]	2	SUB-TTF-30100LC-08-01-XX.XX	S-PCB-102781-ECDP-016-100-X	HST-0.625-01-CLR
-32	1.773 [45.03]	4	SUB-TTF-30100LC-08-01-XX.XX	S-PCB-102781-ECDP-032-100-X	HST-1.000-01-CLR

-NX 85 OHM ACCELERATE

No. OF PAIRS	"B"	SUB-TTF QTY	SUB-TTF-3085LC-XX-01-XX.XX	S-PCB-102781-ECDP-XX-85-X (SEE NOTE 7)	HST-X.XXX-XX-XXX
-04	.513 [13.03]	2	SUB-TTF-3085LC-02-01-XX.XX	S-PCB-102781-ECDP-004-85-X	HST-0.250-01-CLR
-08	.639 [16.23]	2	SUB-TTF-3085LC-04-01-XX.XX	S-PCB-102781-ECDP-008-85-X	HST-0.375-01-CLR
-16	1.017 [25.83]	2	SUB-TTF-3085LC-08-01-XX.XX	S-PCB-102781-ECDP-016-85-X	HST-0.625-01-CLR
-32	1.773 [45.03]	4	SUB-TTF-3085LC-08-01-XX.XX	S-PCB-102781-ECDP-032-85-X	HST-1.000-01-CLR

-NX 100 OHM EYESPEED

No. OF PAIRS	"B"	SUB-TTF QTY	TTF-30100CU-XX-01-S	S-PCB-107039-ECDP-XX-100-X (SEE NOTE 7)	HST-X.XXX-XX-XXX (SEE NOTE 12)
-04	.513 [13.03]	2	TTF-30100CU-02-01-S	S-PCB-107039-ECDP-004-100-X	N/A
-08	.639 [16.23]	2	TTF-30100CU-04-01-S	S-PCB-107039-ECDP-008-100-X	N/A
-16	1.017 [25.83]	2	TTF-30100CU-08-01-S	S-PCB-107039-ECDP-016-100-X	N/A
-32	1.773 [45.03]	4	TTF-30100CU-08-01-S	S-PCB-107039-ECDP-032-100-X	N/A

PROPRIETARY NOTE

THIS DOCUMENT CONTAINS CONFIDENTIAL AND PROPRIETARY INFORMATION AND ALL DESIGN, MANUFACTURING, REPRODUCTION, USE, PATENT RIGHTS AND SALES RIGHTS ARE EXPRESSLY RESERVED BY SAMTEC, INC. THIS DOCUMENT SHALL NOT BE DISCLOSED, IN WHOLE OR PART, TO ANY UNAUTHORIZED PERSON OR ENTITY NOR REPRODUCED, TRANSFERRED OR INCORPORATED IN ANY OTHER PROJECT IN ANY MANNER WITHOUT THE EXPRESS WRITTEN CONSENT OF SAMTEC, INC.



520 PARK EAST BLVD, NEW ALBANY, IN 47150
 PHONE: 812-944-6733 FAX: 812-948-5047
 e-Mail info@SAMTEC.com code 55322

DO NOT SCALE DRAWING

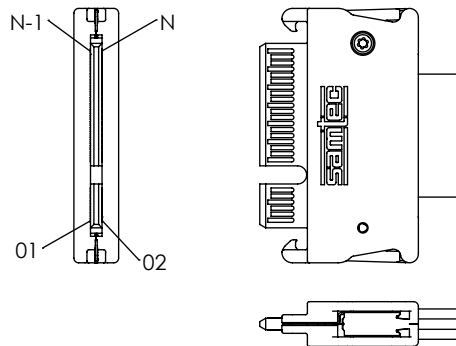
SHEET SCALE: 1:1

DESCRIPTION:
 DIFF PAIR EDGE CARD CABLE ASSEMBLY

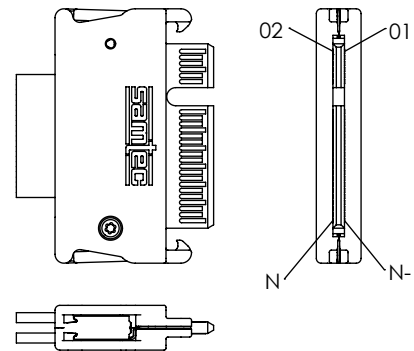
DWG. NO.
ECDP-XX-XX.XX-XX-XX-X-X

BY: B RAY 09/14/2010 SHEET 2 OF 5

-L1 & -N1
(NX WILL NOT HAVE HOUSINGS)



-L1 & -N1
(NX WILL NOT HAVE HOUSINGS)



-L2 & -N2
(NX WILL NOT HAVE HOUSINGS)

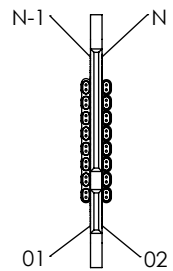
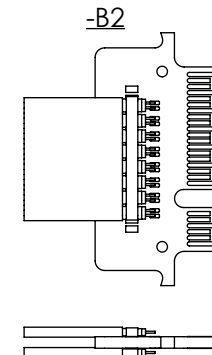
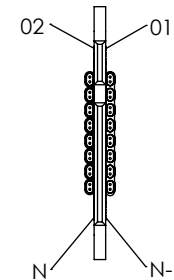
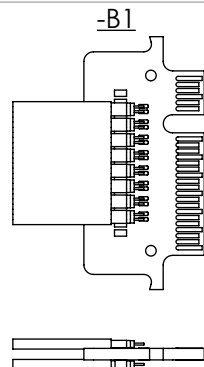
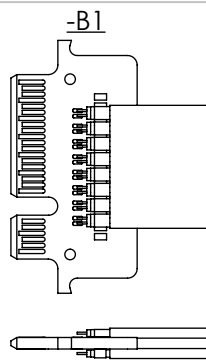
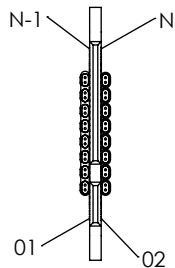
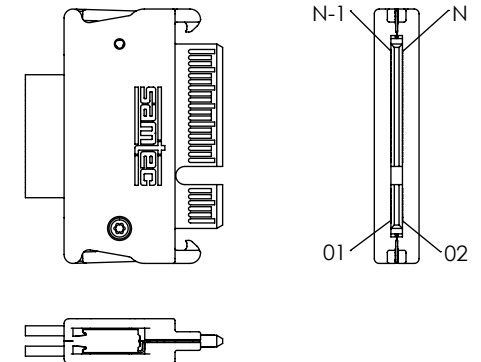


TABLE 1 (CONT'D)

-BX 100 OHM ACCELERATE

No. OF PAIRS	"C"	SUB-TTF QTY	SUB-TTF-30100LC-XX-01-XX-XX	S-PCB-104164-ECDP-XX-100-X (SEE NOTE 7)	HST-X.XXX-XX-XXX
-04	.813 [20.65]	2	SUB-TTF-30100LC-02-01-XX-XX	S-PCB-104164-ECDP-004-100-X	HST-0.250-01-CLR
-08	.939 [23.85]	2	SUB-TTF-30100LC-04-01-XX-XX	S-PCB-104164-ECDP-008-100-X	HST-0.375-01-CLR
-16	1.317 [33.45]	2	SUB-TTF-30100LC-08-01-XX-XX	S-PCB-104164-ECDP-016-100-X	HST-0.625-01-CLR
-32	2.073 [52.65]	4	SUB-TTF-30100LC-08-01-XX-XX	S-PCB-104164-ECDP-032-100-X	HST-1.000-01-CLR

-BX 85 OHM ACCELERATE

No. OF PAIRS	"C"	SUB-TTF QTY	SUB-TTF-3085LC-XX-01-XX-XX	S-PCB-104164-ECDP-XX-85-X (SEE NOTE 7)	HST-X.XXX-XX-XXX
-04	.813 [20.65]	2	SUB-TTF-3085LC-02-01-XX-XX	S-PCB-104164-ECDP-004-85-X	HST-0.250-01-CLR
-08	.939 [23.85]	2	SUB-TTF-3085LC-04-01-XX-XX	S-PCB-104164-ECDP-008-85-X	HST-0.375-01-CLR
-16	1.317 [33.45]	2	SUB-TTF-3085LC-08-01-XX-XX	S-PCB-104164-ECDP-016-85-X	HST-0.625-01-CLR
-32	2.073 [52.65]	4	SUB-TTF-3085LC-08-01-XX-XX	S-PCB-104164-ECDP-032-85-X	HST-1.000-01-CLR

-BX 100 OHM EYESPEED

No. OF PAIRS	"C"	SUB-TTF QTY	TTF-30100CU-XX-01-S	S-PCB-107040-ECDP-XX-100-X (SEE NOTE 7)	HST-X.XXX-XX-XXX (SEE NOTE 12)
-04	.813 [20.65]	2	TTF-30100CU-02-01-S	S-PCB-107040-ECDP-004-100-X	N/A
-08	.939 [23.85]	2	TTF-30100CU-04-01-S	S-PCB-107040-ECDP-008-100-X	N/A
-16	1.317 [33.45]	2	TTF-30100CU-08-01-S	S-PCB-107040-ECDP-016-100-X	N/A
-32	2.073 [52.65]	4	TTF-30100CU-08-01-S	S-PCB-107040-ECDP-032-100-X	N/A

PROPRIETARY NOTE
THIS DOCUMENT CONTAINS CONFIDENTIAL AND PROPRIETARY INFORMATION AND ALL DESIGN, MANUFACTURING, REPRODUCTION, USE, PATENT RIGHTS AND SALES RIGHTS ARE EXPRESSLY RESERVED BY SAMTEC, INC. THIS DOCUMENT SHALL NOT BE DISCLOSED, IN WHOLE OR PART, TO ANY UNAUTHORIZED PERSON OR ENTITY NOR REPRODUCED, TRANSFERRED OR INCORPORATED IN ANY OTHER PROJECT IN ANY MANNER WITHOUT THE EXPRESS WRITTEN CONSENT OF SAMTEC, INC.

DO NOT SCALE DRAWING

SHEET SCALE: 1:1



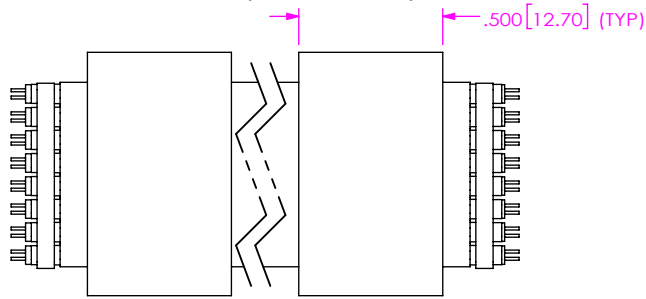
520 PARK EAST BLVD, NEW ALBANY, IN 47150
PHONE: 812-944-6733 FAX: 812-948-5047
e-Mail info@SAMTEC.com code 55322

DESCRIPTION:
DIFF PAIR EDGE CARD CABLE ASSEMBLY

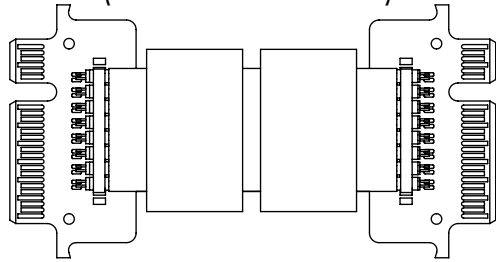
DWG. NO.
ECDP-XX-XX.XX-XX-XX-X-X

BY: B RAY 09/14/2010 SHEET 3 OF 5

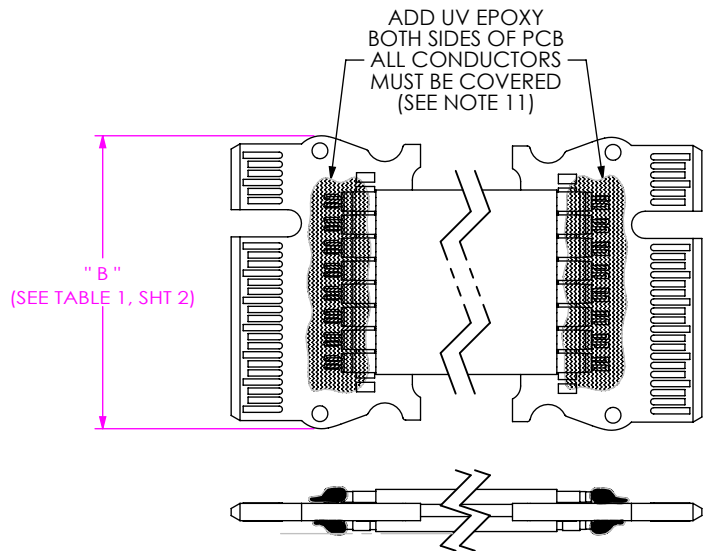
IN-PROCESS 1 (-BX AND -NX OPTIONS ONLY)
 ADD HST TO RIBBON CABLE
 (SEE NOTE 12)



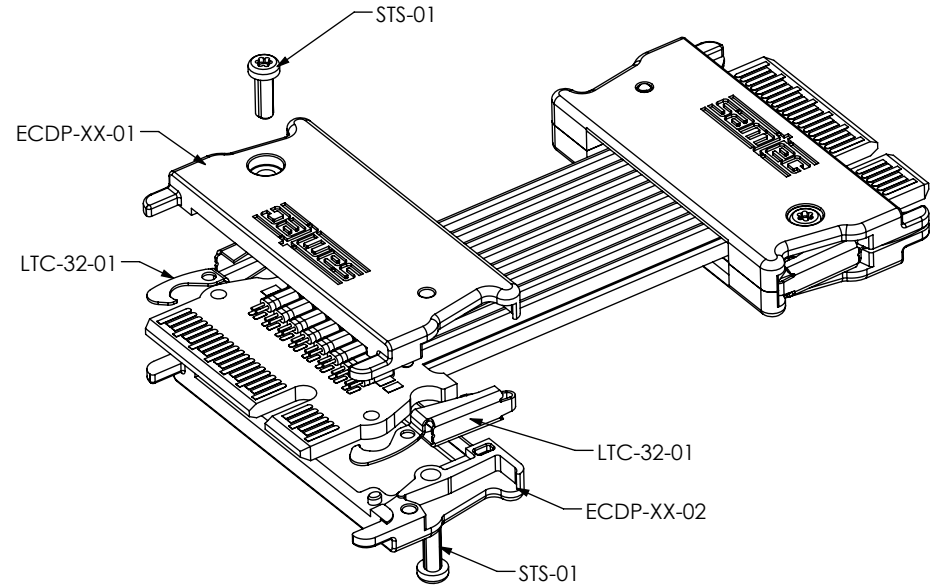
IN-PROCESS 2
 TERMINATE CABLE
 (ALL END OPTIONS)



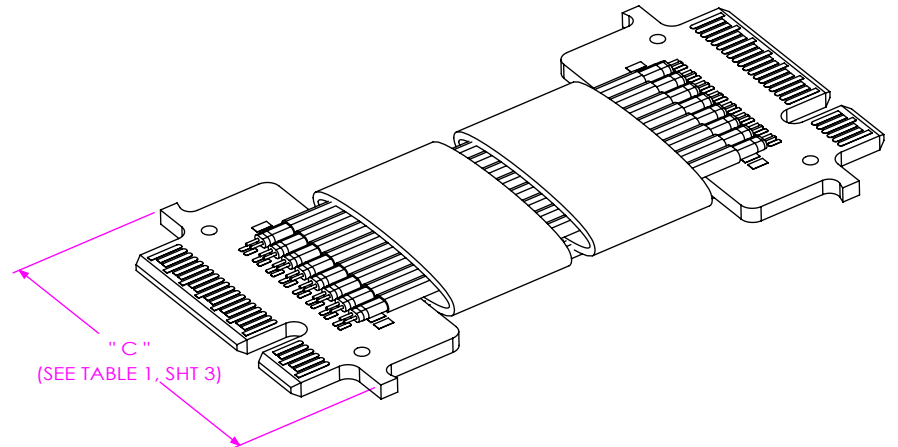
IN-PROCESS 3
 (ALL END OPTIONS)



IN-PROCESS 4 (-LX END OPTIONS ONLY)
 ADD HOUSINGS
 (ECDP-016-XX.XX-L1-L2-X-X)



IN-PROCESS 4 (-BX AND -NX END OPTIONS ONLY)
 FORM HEATSHRINK
 ECDP-016-XX.XX-B1-B2-X-X



PROPRIETARY NOTE
 THIS DOCUMENT CONTAINS CONFIDENTIAL AND PROPRIETARY INFORMATION AND ALL DESIGN, MANUFACTURING, REPRODUCTION, USE, PATENT RIGHTS AND SALES RIGHTS ARE EXPRESSLY RESERVED BY SAMTEC, INC. THIS DOCUMENT SHALL NOT BE DISCLOSED, IN WHOLE OR PART, TO ANY UNAUTHORIZED PERSON OR ENTITY NOR REPRODUCED, TRANSFERRED OR INCORPORATED IN ANY OTHER PROJECT IN ANY MANNER WITHOUT THE EXPRESS WRITTEN CONSENT OF SAMTEC, INC.

DO NOT SCALE DRAWING

SHEET SCALE: 5:2



520 PARK EAST BLVD, NEW ALBANY, IN 47150
 PHONE: 812-944-6733 FAX: 812-948-5047
 e-Mail info@SAMTEC.com code 55322

DESCRIPTION:
 DIFF PAIR EDGE CARD CABLE ASSEMBLY
 DWG. NO.
 ECDP-XX-XX.XX-XX-XX-X-X

BY: B RAY 09/14/2010 SHEET 4 OF 5

