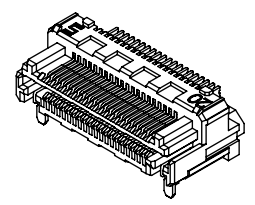
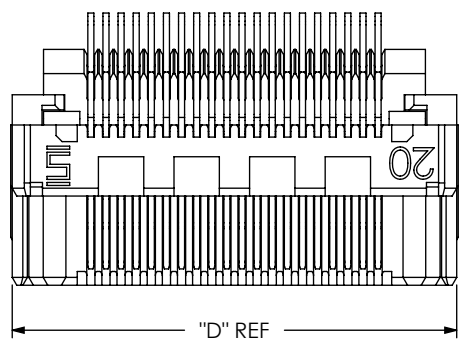


DO NOT SCALE FROM THIS PRINT

DESIGNED & DIMENSIONED IN MILLIMETERS[INCHES]

LSHM-1XX-XX-X-DH-A-X-X-TR

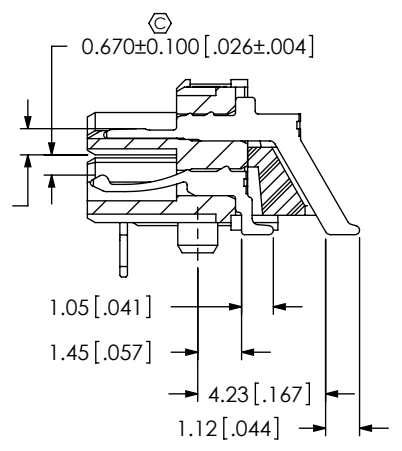
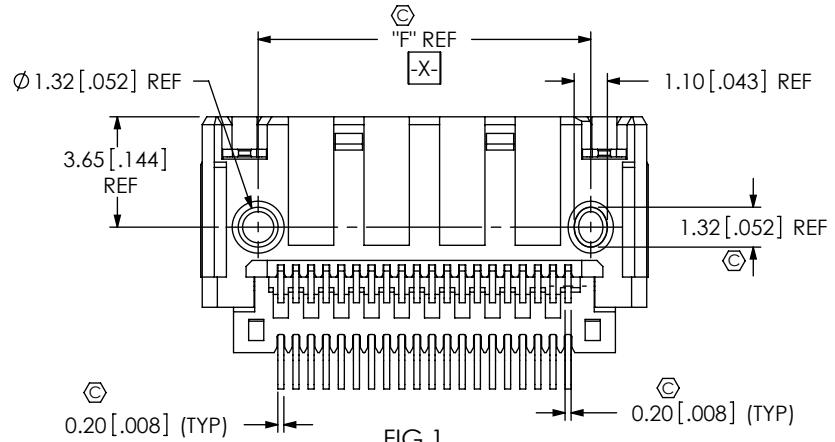
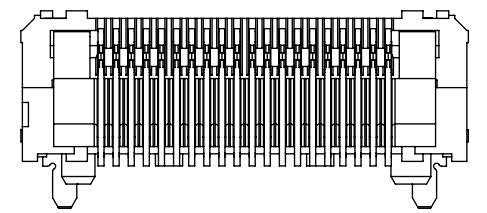
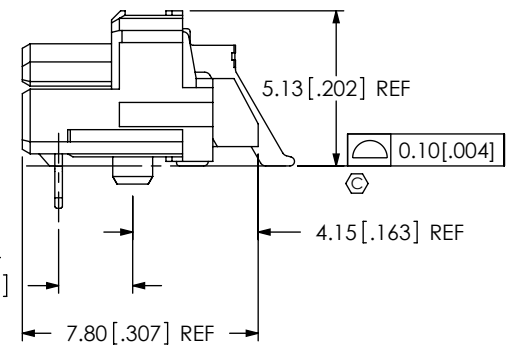
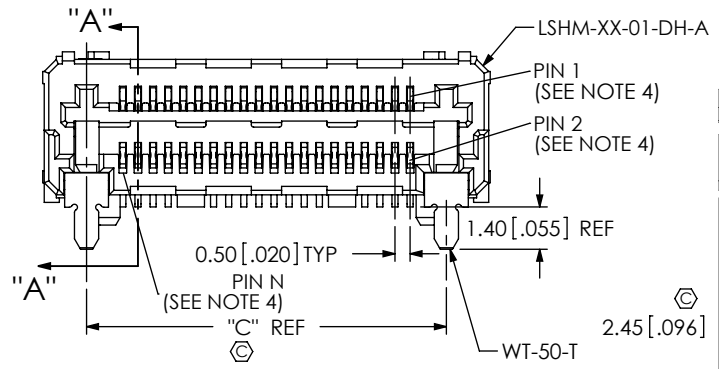


No OF POSITIONS
-05, -10, -20, -30, -40, -50

LEAD STYLE
-01: RIGHT ANGLE ONLY
-L1: LUBRICATED (SEE TABLE 2)

PLATING SPECIFICATION
-L: 10µ" LIGHT SELECTIVE GOLD ON CONTACT AREA, MATTE TIN ON TAIL
-F: 3µ" FLASH SELECTIVE GOLD ON CONTACT AREA, MATTE TIN ON TAIL
-S: 30µ" FLASH SELECTIVE GOLD ON CONTACT AREA, MATTE TIN ON TAIL
-H: 30µ" HEAVY GOLD ON CONTACT AREA, 3µ" GOLD ON TAIL

PACKAGING
-TR: TAPE & REEL (SEE NOTE 6)
OPTION
-K: POLYAMIDE FILM (USE K-DOT-.177-.281-.005)
SHIELD
-S: WITH SHIELD (NO WT IS TO BE USED)
-N: WITHOUT SHIELD
TAIL OPTION
-DH: RIGHT ANGLE



SECTION "A"- "A" SCALE 4: 1

FIG 1 LSHM-1XX-X1-XX-DH-A-N-X-XX SHOWN

- NOTES:
- ① REPRESENTS A CRITICAL DIMENSION.
 - BURR ALLOWANCE: .038[.0015].
 - MINIMUM PUSHOUT FORCE: TERMINALS: 2.22 N [.5 LBS], CONTACTS: 2.22 N [.5 LBS].
 - WHEN MATING WITH ANOTHER LSHM-DH, PIN 01 WILL MATE WITH CONTACT 02 ON MATING CONNECTOR. WHEN MATING WITH A LSHM-DV, PIN 01 WILL MATE WITH PIN N, WHERE N=TOTAL NUMBER OF POSITIONS
 - MEASURE FROM TOP OF VERTICAL WALL.
 - FOR QUANTITIES UP TO 49 PCS., NO LEADER, TRAILER OR REEL WILL BE SUPPLIED.
 - FOR QUANTITIES OF 50-124 PCS., NO LEADER OR TRAILER WILL BE SUPPLIED.
 - FOR APPLICATIONS REQUIRING TWO OR MORE CONNECTORS PER BOARD, CONTACT IPG@SAMTEC.COM.

F:\DWG\MISC\MKTG\LSHM-1XX-XX-X-DH-A-X-X-TR-MKT.SLDDRW

UNLESS OTHERWISE SPECIFIED, DIMENSIONS ARE IN MILLIMETERS[INCHES]. TOLERANCES ARE: DECIMALS ANGLES X.X: ±0.3 [.01] 2° X.XX: ±0.13 [.005] X.XXX: ±0.051 [.0020]	PROPRIETARY NOTICE THIS DOCUMENT CONTAINS CONFIDENTIAL AND PROPRIETARY INFORMATION AND ALL DESIGN, MANUFACTURING, REPRODUCTION, USE, PATENT RIGHTS AND SALES RIGHTS ARE EXPRESSLY RESERVED BY SAMTEC, INC. THIS DOCUMENT SHALL NOT BE DISCLOSED, IN WHOLE OR PART, TO ANY UNAUTHORIZED PERSON OR ENTITY NOR REPRODUCED, TRANSFERRED OR INCORPORATED IN ANY OTHER PRODUCT IN ANY MANNER WITHOUT THE EXPRESS WRITTEN CONSENT OF SAMTEC, INC.
MATERIAL: INSULATOR: BLACK, LCP, UL 94 V0 TERMINAL: PHOS BRONZE SHIELD: STAINLESS STEEL WELD TAB: COPPER	DO NOT SCALE DRAWING SHEET SCALE: 1:0.2

samtec	
520 PARK EAST BLVD. NEW ALBANY, IN 47150 PHONE: 812-944-6733 FAX: 812-948-5047 e-Mail info@SAMTEC.COM code 53322	
DESCRIPTION: 0.50mm TERMINAL/SOCKET COMBO	
DWG. NO. LSHM-1XX-XX-X-DH-A-X-X-TR	
BY: AGEN H	10/30/2008
SHEET 1 OF 4	

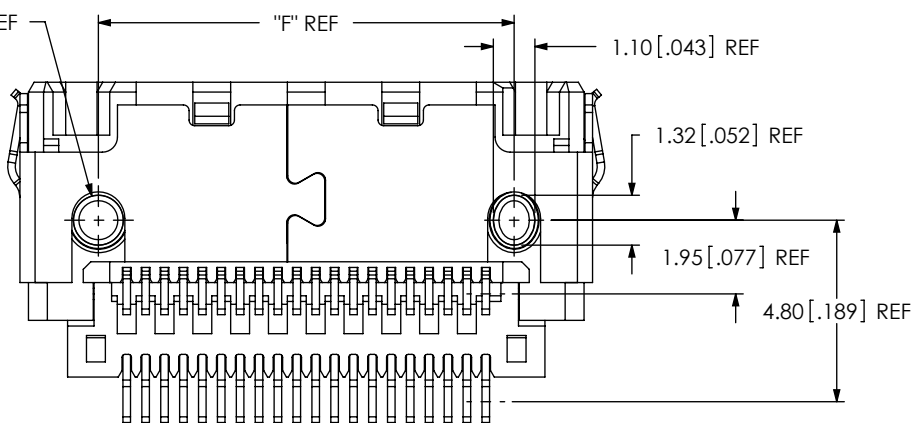
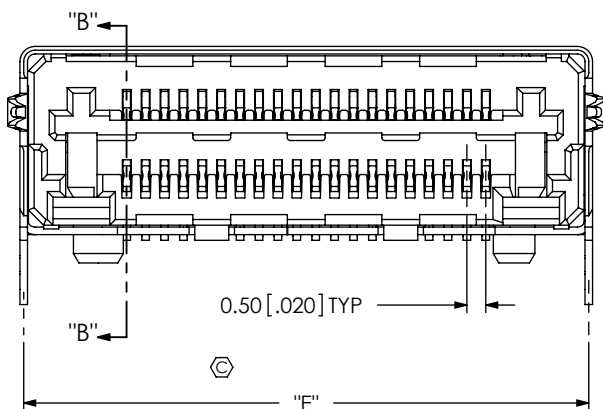
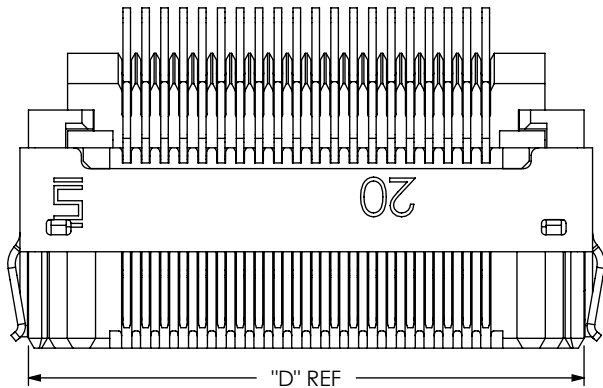


FIG 2

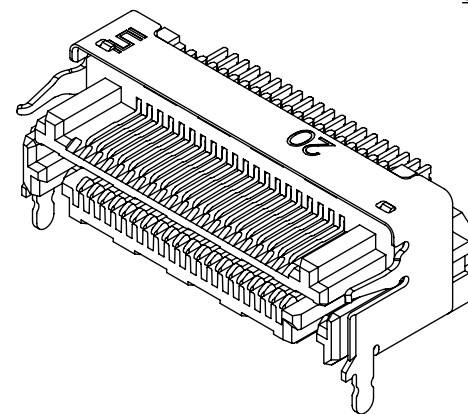
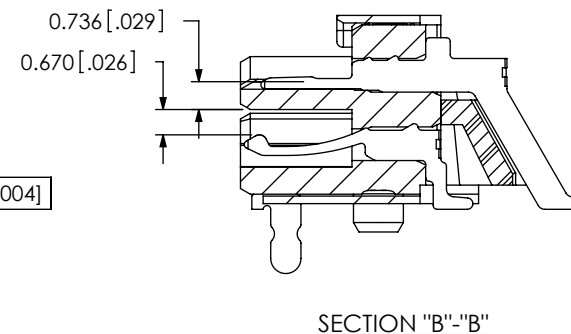
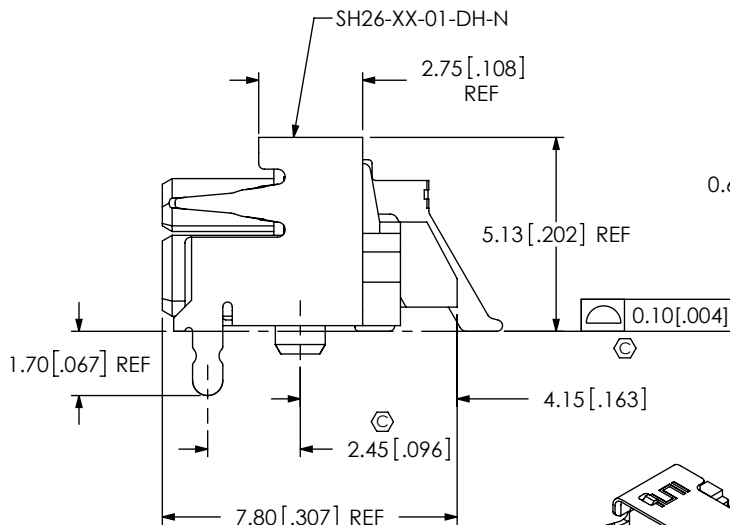
(SHIELD OPTION)

LSHM-1XX-X1-XX-DH-A-S-XX-XX SHOWN

F:\DWG\MISC\MKTG\LSHM-1XX-XX-X-DH-A-X-X-TR-MKT.SLDRW

TABLE 1

No OF POS	"C"	"D"	"E"	"F"	"G"
-05	4.40 [0.173]	7.20 [0.283]	7.45 [0.293]	3.50 [0.138]	1.35 [0.053]
-10	6.90 [0.272]	9.70 [0.382]	9.95 [0.392]	6.00 [0.236]	2.60 [0.102]
-20	11.90 [0.469]	14.70 [0.579]	14.95 [0.589]	11.00 [0.433]	5.10 [0.201]
-30	16.90 [0.665]	19.70 [0.776]	19.95 [0.785]	16.00 [0.630]	7.60 [0.299]
-40	21.90 [0.862]	24.70 [0.972]	24.95 [0.982]	21.00 [0.827]	10.10 [0.398]
-50	26.90 [1.059]	29.70 [1.169]	29.95 [1.179]	26.00 [1.024]	12.60 [0.496]



PROPRIETARY NOTE
 THIS DOCUMENT CONTAINS CONFIDENTIAL AND PROPRIETARY INFORMATION AND ALL DESIGN, MANUFACTURING, REPRODUCTION, USE, PATENT RIGHTS AND SALES RIGHTS ARE EXPRESSLY RESERVED BY SAMTEC, INC. THIS DOCUMENT SHALL NOT BE DISCLOSED, IN WHOLE OR PART, TO ANY UNAUTHORIZED PERSON OR ENTITY NOR REPRODUCED, TRANSFERRED OR INCORPORATED IN ANY OTHER PROJECT IN ANY MANNER WITHOUT THE EXPRESS WRITTEN CONSENT OF SAMTEC, INC.

samtec

520 PARK EAST BLVD, NEW ALBANY, IN 47150
 PHONE: 812-944-6733 FAX: 812-948-5047
 e-Mail info@SAMTEC.com code 55322

DO NOT SCALE DRAWING
 SHEET SCALE: 1:0.2

DESCRIPTION:
 0.50mm TERMINAL/SOCKET COMBO

DWG. NO.
 LSHM-1XX-XX-X-DH-A-X-X-TR

BY: AGEN H 10/30/2008 SHEET 2 OF 4

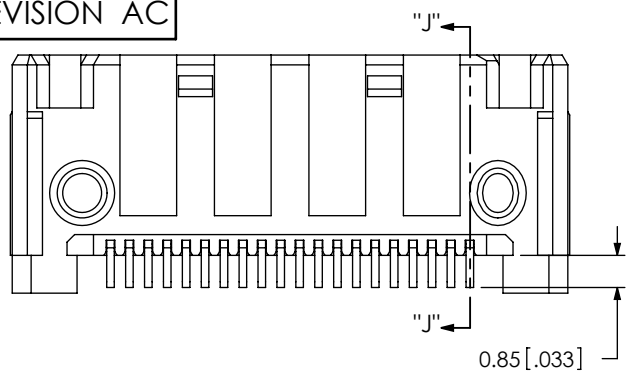
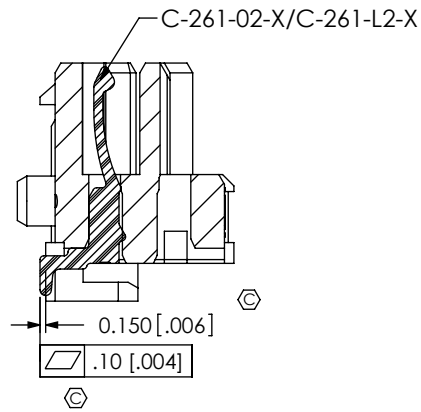


FIG 4
(IN PROCESS 1)



SECTION "J"-"J"

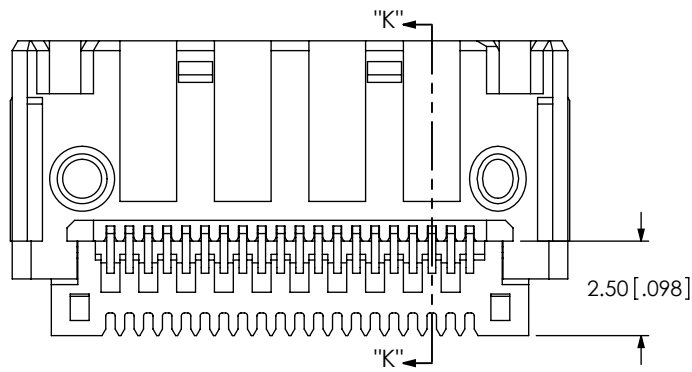
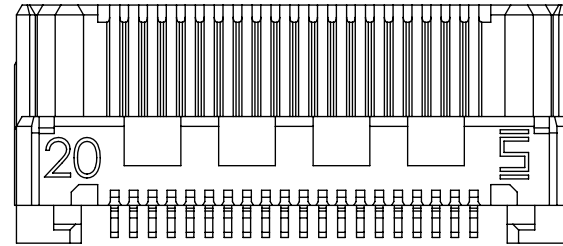
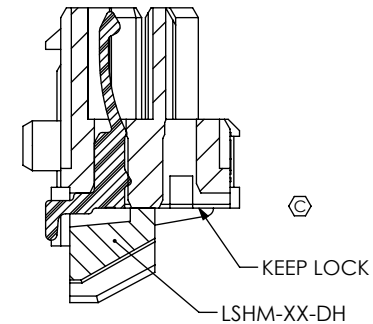
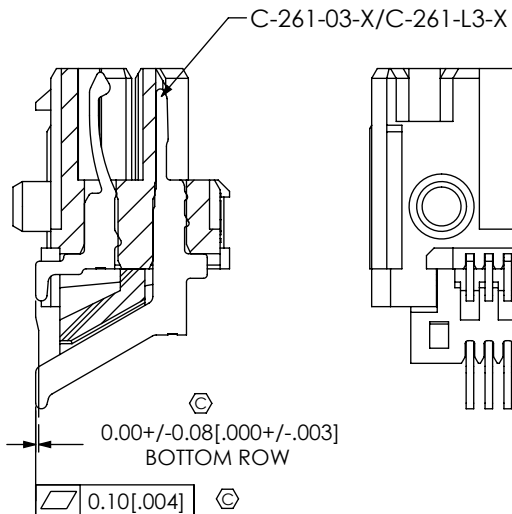


FIG 5
(IN PROCESS 2)



SECTION "K"-"K"



SECTION "L"-"L"

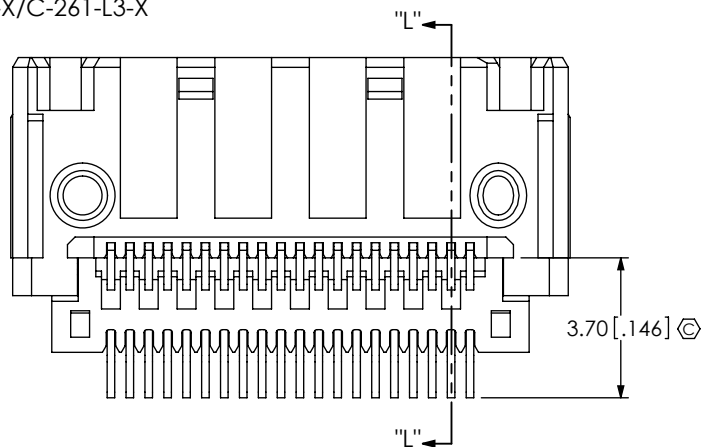


FIG 6
(IN PROCESS 3)

PROPRIETARY NOTE
 THIS DOCUMENT CONTAINS CONFIDENTIAL AND PROPRIETARY INFORMATION AND ALL DESIGN, MANUFACTURING, REPRODUCTION, USE, PATENT RIGHTS AND SALES RIGHTS ARE EXPRESSLY RESERVED BY SAMTEC, INC. THIS DOCUMENT SHALL NOT BE DISCLOSED, IN WHOLE OR PART, TO ANY UNAUTHORIZED PERSON OR ENTITY NOR REPRODUCED, TRANSFERRED OR INCORPORATED IN ANY OTHER PROJECT IN ANY MANNER WITHOUT THE EXPRESS WRITTEN CONSENT OF SAMTEC, INC.

DO NOT SCALE DRAWING
 SHEET SCALE: 5:1



520 PARK EAST BLVD, NEW ALBANY, IN 47150
 PHONE: 812-944-6733 FAX: 812-948-5047
 e-Mail info@SAMTEC.com code 55322

DESCRIPTION:
 0.50mm TERMINAL/SOCKET COMBO

DWG. NO.
 LSHM-1XX-XX-X-DH-A-X-X-TR

BY: AGEN H 10/30/2008 SHEET 3 OF 4

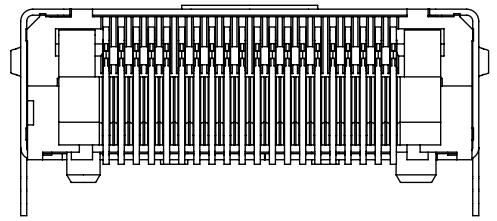
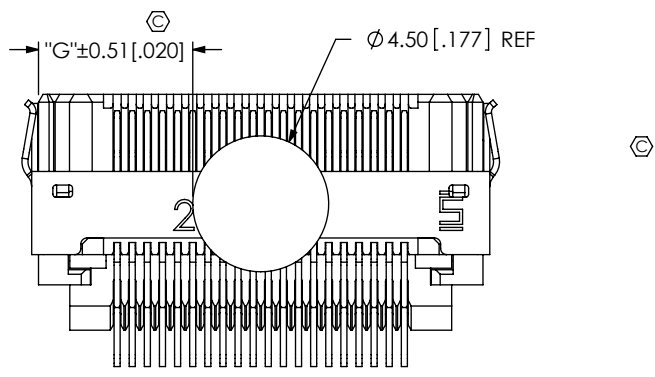



FIG 7
LSHM-1XX-X1-XX-DH-A-S-XX-XX SHOWN

TABLE 2	
LEAD STYLE	CONTACT
-01	C-261-02-X
	C-261-03-X
-L1	C-261-L2-X
	C-261-L3-X

F:\DWG\MISC\MKTG\LSHM-1XX-XX-X-DH-A-X-X-TR-MKT.SLDDRW

<p>PROPRIETARY NOTE</p> <p>THIS DOCUMENT CONTAINS CONFIDENTIAL AND PROPRIETARY INFORMATION AND ALL DESIGN, MANUFACTURING, REPRODUCTION, USE, PATENT RIGHTS AND SALES RIGHTS ARE EXPRESSLY RESERVED BY SAMTEC, INC. THIS DOCUMENT SHALL NOT BE DISCLOSED, IN WHOLE OR PART, TO ANY UNAUTHORIZED PERSON OR ENTITY NOR REPRODUCED, TRANSFERRED OR INCORPORATED IN ANY OTHER PROJECT IN ANY MANNER WITHOUT THE EXPRESS WRITTEN CONSENT OF SAMTEC, INC.</p>	 520 PARK EAST BLVD, NEW ALBANY, IN 47150 PHONE: 812-944-6733 FAX: 812-948-5047 e-Mail info@SAMTEC.com code 53322	
	DO NOT SCALE DRAWING	DESCRIPTION: 0.50mm TERMINAL/SOCKET COMBO
		DWG. NO. LSHM-1XX-XX-X-DH-A-X-X-TR
	BY: AGEN H	10/30/2008 SHEET 4 OF 4