

DO NOT SCALE FROM THIS PRINT

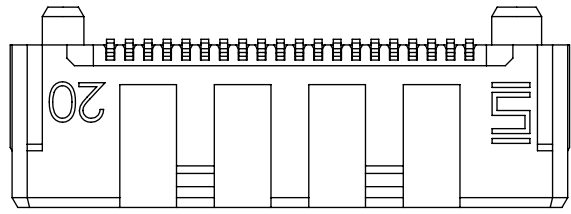
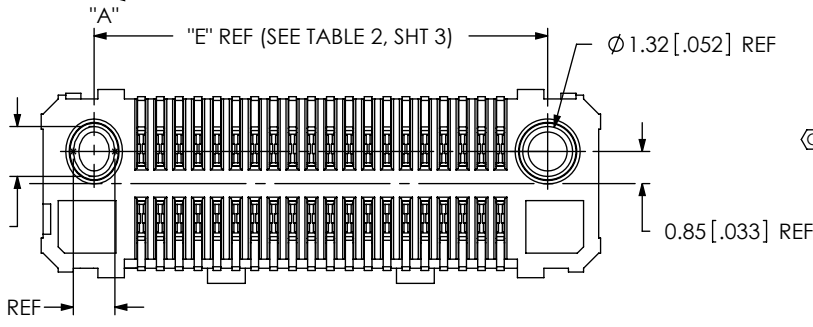
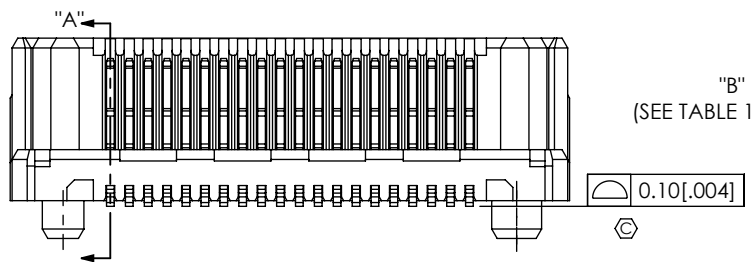
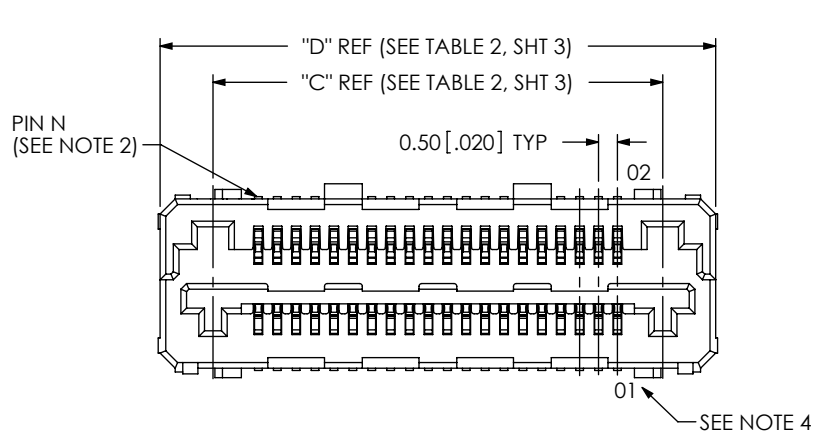


FIG 1
 (LSHM-1XX-XX.X-DV-A-N-X-TR SHOWN)

NOTES:

1. \odot REPRESENTS A CRITICAL DIMENSION.
2. BURR ALLOWANCE: .038 [.0015].
3. MINIMUM PUSHOUT FORCE; TERMINALS: 2.22 N [.5 LBS], CONTACTS: 2.22 N [.5 LBS].
4. WHEN MATING WITH ANOTHER LSHM-DV, PIN 01 WILL MATE WITH CONTACT 02 ON MATING CONNECTOR. WHEN MATING WITH A LSHM-DH, PIN 01 WILL MATE WITH PIN N, WHERE N=TOTAL NUMBER OF POSITIONS.
5. MEASURE FROM TOP OF VERTICAL WALL.
6. FOR QUANTITIES UP TO 49 PCS., NO LEADER, TRAILER OR REEL WILL BE SUPPLIED. FOR QUANTITIES OF 50-124 PCS., NO LEADER OR TRAILER WILL BE SUPPLIED.
7. FOR APPLICATION REQUIRING TWO OR MORE CONNECTORS PER BOARD, CONTACT IPG@SAMTEC.COM.

F:\DWG\MISC\MKTG\LSHM-1XX-XX.X-XX-DV-A-X-X-TR-MKT.SLDDRW

LSHM-1XX-XX.X-XX-DV-A-X-X-TR

No OF POSITIONS
 05, 10, 20, 30, 40, 50

LEAD STYLE
 -02.5
 -03.0
 -04.0
 -06.0
 -L2.5: LUBRICATED
 -L3.0: LUBRICATED
 -L4.0: LUBRICATED
 -L6.0: LUBRICATED

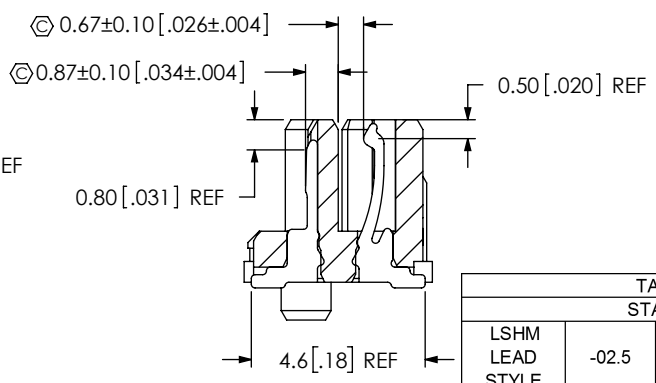
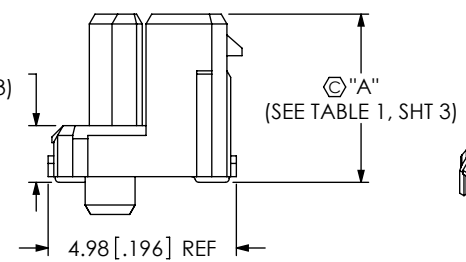
PACKAGING (SEE NOTE 6)
 -TR: TAPE & REEL

OPTION
 -K: POLYIMIDE FILM
 (USE K-DOT-.138-.250-.005)
 (SEE FIG 3, SHT 3)

SHIELD
 S: WITH SHIELD
 N: NO SHIELD

TAIL OPTION
 DV: VERTICAL

PLATING SPECIFICATION
 -L: 10 μ " SELECTIVE GOLD IN CONTACT AREA, MATTE TIN ON TAIL
 -F: 3 μ " SELECTIVE GOLD IN CONTACT AREA, MATTE TIN ON TAIL
 -S: 30 μ " SELECTIVE GOLD IN CONTACT AREA, MATTE TIN ON TAIL
 -H: 30 μ " HEAVY GOLD IN CONTACT AREA, 3 μ " GOLD ON TAIL



SECTION "A"- "A"
 SCALE 5 : 1

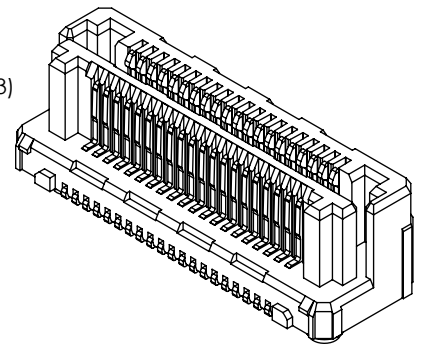


TABLE 4 REF STACK HEIGHT					
LSHM LEAD STYLE	-02.5	-03.0	-04.0	-06.0	
-02.5	5.0MM				
-03.0	5.5MM	6.0MM			
-04.0	6.5MM	7.0MM	8.0MM		
-06.0	8.5MM	9.0MM	10.0MM	12.0MM	

UNLESS OTHERWISE SPECIFIED, DIMENSIONS ARE IN MILLIMETERS (INCHES). TOLERANCES ARE:
 DECIMALS ANGLES
 X.X: ± 0.3 [.01]
 X.XX: ± 0.13 [.005]
 X.XXX: ± 0.051 [.0020]

PROPRIETARY NOTE
 THIS DOCUMENT CONTAINS CONFIDENTIAL AND PROPRIETARY INFORMATION AND ALL DESIGN, MANUFACTURING, REPRODUCTION, USE, PATENT RIGHTS AND SALES RIGHTS ARE EXPRESSLY RESERVED BY SAMTEC, INC. THIS DOCUMENT SHALL NOT BE DISCLOSED, IN WHOLE OR PART, TO ANY UNAUTHORIZED PERSON OR ENTITY NOR REPRODUCED, TRANSMITTED OR INCORPORATED IN ANY OTHER PROJECT IN ANY MANNER WITHOUT THE EXPRESS WRITTEN CONSENT OF SAMTEC, INC.

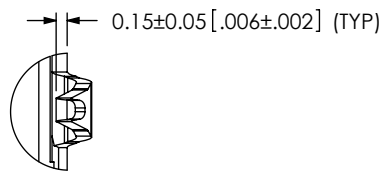
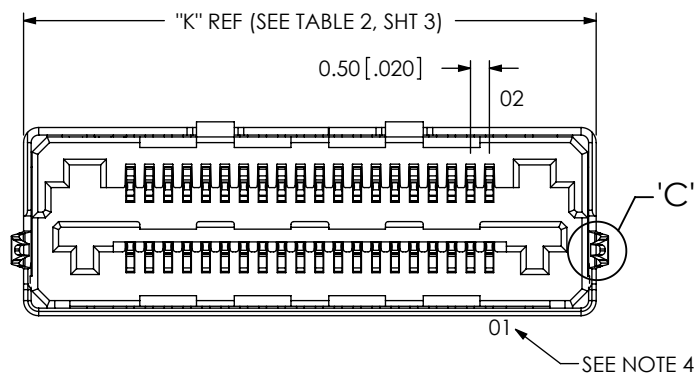
MATERIAL: DO NOT SCALE DRAWING SHEET SCALE: 2:1
 INSULATOR: LCP, UL 94 V0; COLOR: BLACK
 CONTACT OR TERMINAL: PHOS BRONZE
 SHIELD: STAINLESS STEEL

520 PARK EAST BLVD, NEW ALBANY, IN 47150
 PHONE: 812-944-6733 FAX: 812-948-5047
 e-Mail info@SAMTEC.com code 55322

DESCRIPTION:
 0.50mm TERMINAL/SOCKET COMBO

DWG. NO.
 LSHM-1XX-XX.X-XX-DV-A-X-X-TR

BY: AGEN H 10/30/2008 SHEET 1 OF 3



DETAIL 'C'
 SCALE 10:1

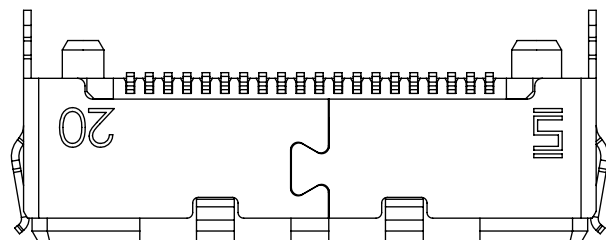
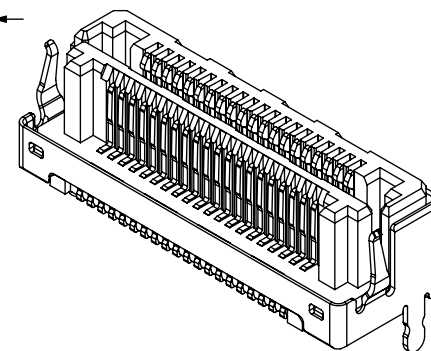
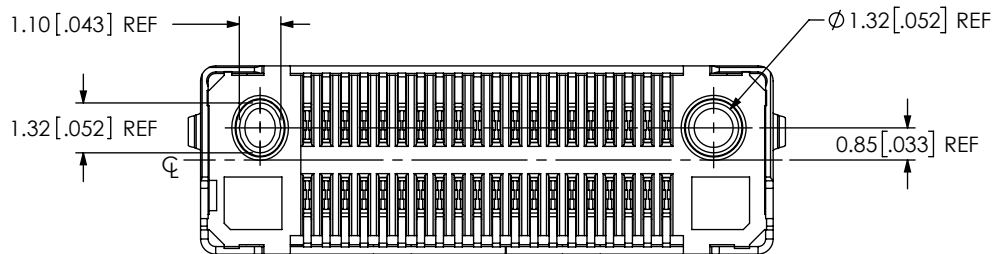
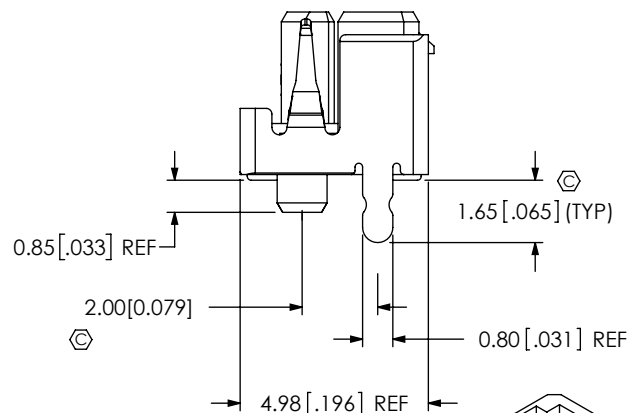
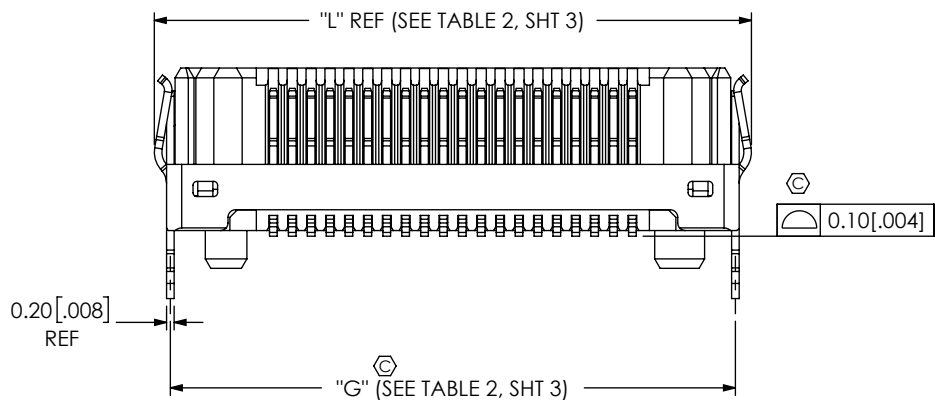


FIG 2
 (LSHM-1XX-XX.X-DV-A-S-X-TR SHOWN)

PROPRIETARY NOTE
 THIS DOCUMENT CONTAINS CONFIDENTIAL AND PROPRIETARY INFORMATION AND ALL DESIGN, MANUFACTURING, REPRODUCTION, USE, PATENT RIGHTS AND SALES RIGHTS ARE EXPRESSLY RESERVED BY SAMTEC, INC. THIS DOCUMENT SHALL NOT BE DISCLOSED, IN WHOLE OR PART, TO ANY UNAUTHORIZED PERSON OR ENTITY NOR REPRODUCED, TRANSFERRED OR INCORPORATED IN ANY OTHER PROJECT IN ANY MANNER WITHOUT THE EXPRESS WRITTEN CONSENT OF SAMTEC, INC.

samtec

520 PARK EAST BLVD., NEW ALBANY, IN 47150
 PHONE: 812-944-6733 FAX: 812-948-5047
 e-Mail: info@SAMTEC.com code 55322

DO NOT SCALE DRAWING
 SHEET SCALE: 1:0.2

DESCRIPTION:
 0.50mm TERMINAL/SOCKET COMBO

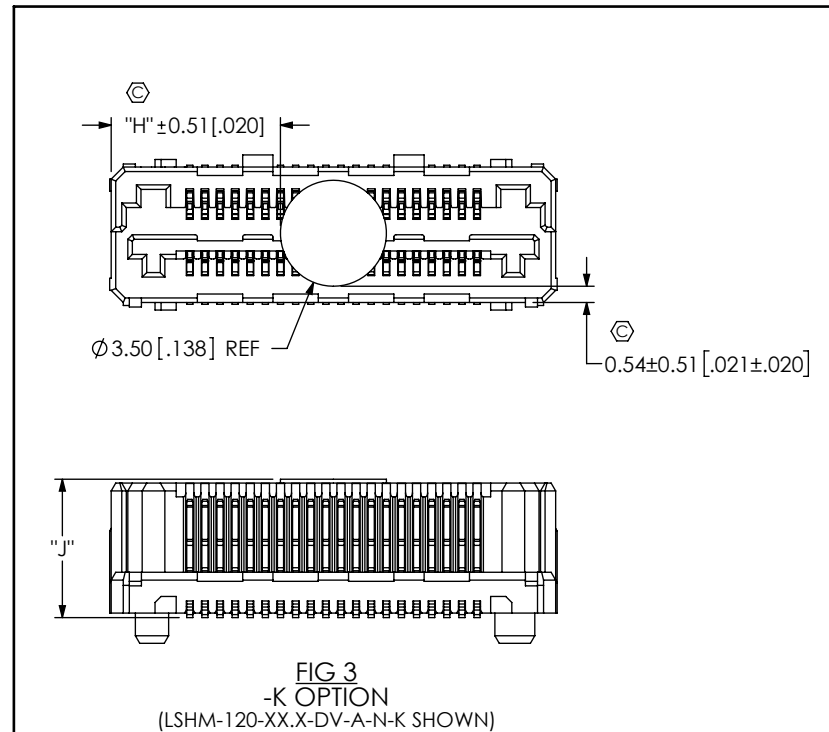
DWG. NO.
 LSHM-1XX-XX.X-XX-DV-A-X-X-TR

BY: AGEN H 10/30/2008 SHEET 2 OF 3

TABLE 1			
STYLE	"A"	"B"	"J"
-02.5	3.95 [0.156]	1.00 [0.039]	4.10 [0.161]
-03.0	4.45 [0.175]	1.50 [0.059]	4.60 [0.181]
-04.0	5.45 [0.215]	2.50 [0.098]	5.60 [0.220]
-06.0	7.45 [0.293]	4.50 [0.177]	7.60 [0.299]

TABLE 2							
No OF POS	"C"	"D"	"E"	"G"	"H"	"K"	"L"
-05	4.40 [0.173]	7.20 [0.283]	4.50 [0.177]	7.45 [0.293]	1.85 [0.073]	7.65 [0.301]	8.30 [0.327]
-10	6.90 [0.272]	9.70 [0.382]	7.00 [0.276]	9.95 [0.392]	3.10 [0.122]	10.15 [0.400]	10.80 [0.425]
-20	11.90 [0.469]	14.70 [0.579]	12.00 [0.472]	14.95 [0.589]	5.60 [0.220]	15.15 [0.596]	15.80 [0.622]
-30	16.90 [0.665]	19.70 [0.776]	17.00 [0.669]	19.95 [0.785]	8.10 [0.319]	20.15 [0.793]	20.80 [0.819]
-40	21.90 [0.862]	24.70 [0.972]	22.00 [0.866]	24.95 [0.982]	10.60 [0.417]	25.15 [0.990]	25.80 [1.016]
-50	26.90 [1.059]	29.70 [1.169]	27.00 [1.063]	29.95 [1.179]	13.10 [0.516]	30.15 [1.187]	30.80 [1.213]

TABLE 3				
LEAD STYLE	SHIELD	BODY	CONTACT	SHIELD
-02.5	N	LSHM-XX-02.5-DV-A	C-261-01-X	N/A
-03.0	N	LSHM-XX-03.0-DV-A	C-185-01-X	N/A
-04.0	N	LSHM-XX-04.0-DV-A	C-185-03-X	N/A
-06.0	N	LSHM-XX-06.0-DV-A	C-185-02-X	N/A
-02.5	S	LSHM-XX-02.5-DV-A	C-261-01-X	SH26-XX-02.5-DV-N
-03.0	S	LSHM-XX-03.0-DV-A	C-185-01-X	SH26-XX-03.0-DV-N
-04.0	S	LSHM-XX-04.0-DV-A	C-185-03-X	SH26-XX-04.0-DV-N
-06.0	S	LSHM-XX-06.0-DV-A	C-185-02-X	SH26-XX-06.0-DV-N
-L2.5	N	LSHM-XX-02.5-DV-A	C-261-L1-X	N/A
-L3.0	N	LSHM-XX-03.0-DV-A	C-185-L1-X	N/A
-L4.0	N	LSHM-XX-04.0-DV-A	C-185-L3-X	N/A
-L6.0	N	LSHM-XX-06.0-DV-A	C-185-L2-X	N/A
-L2.5	S	LSHM-XX-02.5-DV-A	C-261-L1-X	SH26-XX-02.5-DV-N
-L3.0	S	LSHM-XX-03.0-DV-A	C-185-L1-X	SH26-XX-03.0-DV-N
-L4.0	S	LSHM-XX-04.0-DV-A	C-185-L3-X	SH26-XX-04.0-DV-N
-L6.0	S	LSHM-XX-06.0-DV-A	C-185-L2-X	SH26-XX-06.0-DV-N



<p>PROPRIETARY NOTE</p> <p>THIS DOCUMENT CONTAINS CONFIDENTIAL AND PROPRIETARY INFORMATION AND ALL DESIGN, MANUFACTURING, REPRODUCTION, USE, PATENT RIGHTS AND SALES RIGHTS ARE EXPRESSLY RESERVED BY SAMTEC, INC. THIS DOCUMENT SHALL NOT BE DISCLOSED, IN WHOLE OR PART, TO ANY UNAUTHORIZED PERSON OR ENTITY NOR REPRODUCED, TRANSFERRED OR INCORPORATED IN ANY OTHER PROJECT IN ANY MANNER WITHOUT THE EXPRESS WRITTEN CONSENT OF SAMTEC, INC.</p>	<p>520 PARK EAST BLVD., NEW ALBANY, IN 47150 PHONE: 812-944-6733 FAX: 812-948-5047 e-Mail: info@SAMTEC.com code 55322</p>	
	<p>DO NOT SCALE DRAWING SHEET SCALE: 5:1</p>	<p>DESCRIPTION: 0.50mm TERMINAL/SOCKET COMBO</p> <p>DWG. NO. LSHM-1XX-XX.X-XX-DV-A-X-X-TR</p> <p>BY: AGEN H 10/30/2008 SHEET 3 OF 3</p>