

DO NOT SCALE FROM THIS PRINT

NOTES:

1. REPRESENTS A CRITICAL DIMENSION.
2. NOTE DELETED.
3. PARTS TO BE PACKED IN TRAYS.
4. ALL PARTS ARE RoHS COMPLIANT WITH OR WITHOUT -R.

DESIGNED & DIMENSIONED IN MILLIMETERS [INCHES]

USBR-A-S-X-X-TH-X

TYPE
-A

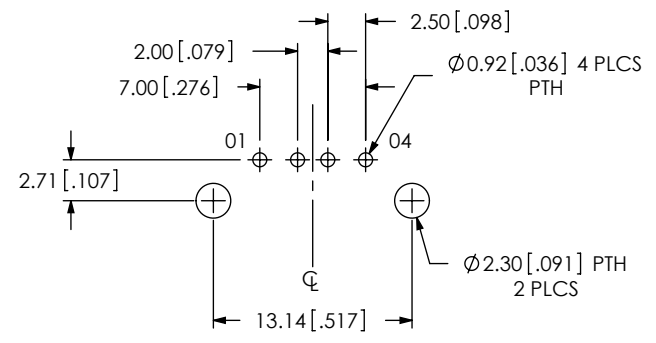
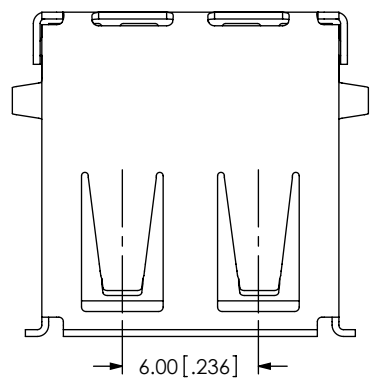
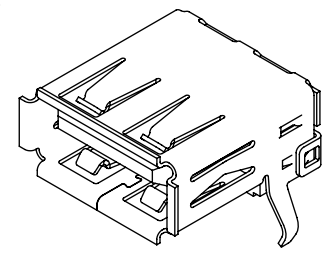
CONFIGURATION
-S:SINGLE

PLATING
-S: 30µ" SELECTIVE GOLD ON CONTACT AREA
MATTE TIN IN TAIL
-F: 1µ" FLASH GOLD ON CONTACT AREA.
MATTE TIN IN TAIL

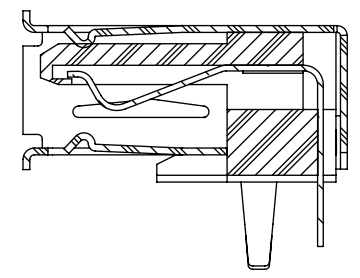
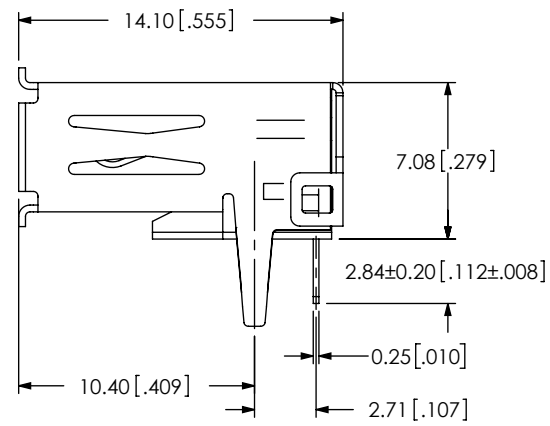
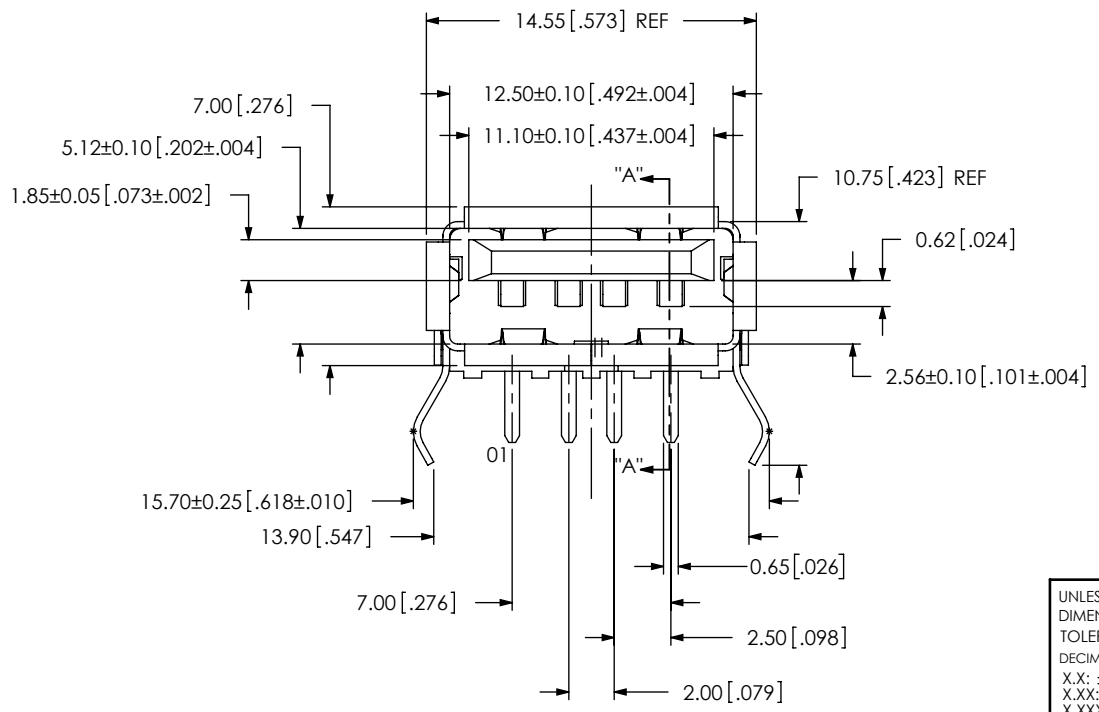
E & I OPTION
-R: RoHS COMPLIANT

TERMINATION
-TH:RIGHT ANGLE OPEN BLACK


COLOR
-O:ORANGE



PCB LAYOUT



SECTION "A"- "A"
SCALE 3 : 1

<p>UNLESS OTHERWISE SPECIFIED, DIMENSIONS ARE IN MILLIMETERS. TOLERANCES ARE: DECIMALS ANGLES X.X: ±0.3 [.01] 2° X.XX: ±0.13 [.005] X.XXX: ±0.051 [.0020]</p>	<p>PROPRIETARY NOTE THIS DOCUMENT CONTAINS CONFIDENTIAL AND PROPRIETARY INFORMATION AND ALL DESIGN, MANUFACTURING, REPRODUCTION, USE, PATENT RIGHTS AND SALES RIGHTS ARE EXPRESSLY RESERVED BY SAMTEC, INC. THIS DOCUMENT SHALL NOT BE DISCLOSED, IN WHOLE OR PART, TO ANY UNAUTHORIZED PERSON OR ENTITY NOR REPRODUCED, TRANSFERRED OR INCORPORATED IN ANY OTHER PROJECT IN ANY MANNER WITHOUT THE EXPRESS WRITTEN CONSENT OF SAMTEC, INC.</p>	 <p>520 PARK EAST BLVD, NEW ALBANY, IN 47150 PHONE: 812-944-6733 FAX: 812-948-5047 e-Mail: info@SAMTEC.com code 55322</p>
<p>MATERIAL: DO NOT SCALE DRAWING SHEET SCALE: 3:1 INSULATOR: PA 9T, GLASS FILLED, RATED UL94-V0 CONTACT: PHOS BRONZE SHELL: BRASS, NICKEL PLATED</p>	<p>DESCRIPTION: USB TYPE A CONNECTOR</p>	
<p>MAX FLASH ALLOWED: .05 [.002] MAX GATE VESTIGE: .05 [.002] F:\DWG\MISC\MKTG\USBR-A-S-X-X-TH-X-MKT.SLDDRW</p>	<p>DWG. NO. USBR-A-S-X-X-TH-X BY: STEVEN XU 26/02/2008 SHEET 1 OF 1</p>	